

6000SLX
SL-B

6000SLX

SL-B

HYDRAULIC CRAWLER CRANE



Contents

Specifications	3-4
Symbols	4
Outline	■ Winch Assignment	5
	■ Dimensions & Main Specifications : Liftcrane	6
	■ Dimensions & Main Specifications : Luffing Tower	7
Liftcrane Heavy Duty Boom	■ Boom Combinations	8
	■ Working Range Diagram	8
	■ Capacities	9
	■ Notes	10-11
Liftcrane Long Range Boom	■ Boom Combinations	12
	■ Working Range Diagram	12
	■ Capacities	13
	■ Notes	14-15
Luffing Tower	■ Boom Combinations	16-17
	■ Working Range Diagram	18-22
	■ Capacities	23-27
	■ Notes	28-29
Transport Data	30-31

Specifications

Engine

- Model : Isuzu 6WG1
- Type : 4-cycle, water-cooled, direct injection, turbo-charged, diesel engine
- Displacement : 15 681 cc
- Rated Output : 397 kW / 1 800 min⁻¹
(540 ps / 1 800 rpm)
- Fuel Tank : 800 liters
- Electrical System : 24 V D.C., 2 batteries

Notes:

- 1 Engine meets Stage / Tier 3 of current smoke emission regulations in Europe, United States and Japan.
- 2 The 397 kW engine horsepower shown above is based on an international engine horsepower rating formula that includes the horsepower necessary for engine alternator drive but excludes engine fan drive.

Control

- Control System : Control levers operate remote-controlled hydraulic servos that direct oil through six sets of tandem valves to provide comprehensive motion control.
- Control Levers : Ergonomic lever layout enables efficient operation. Joystick lever on left side controls slewing and boom hoist. Arm-chair levers on right side control hoist 1 & 2, luffing jib hoist, travel and long-mast hoist. Main winch levers are equipped with drum rotation sensors.
- Slewing Brake Pedal: Designed to be maintenance free while resisting overheating. Unique brake design of hydraulic oil control system makes it possible to smoothly initial slewing motion, even against the wind.
- Display Panel Design : Graphics on the display panel makes it easy to input the necessary operating conditions and data according to actual lifting and working conditions.

Hydraulic System

Three variable-displacement axial piston pumps and one fixed-displacement tandem gear pump provide power for independent and combined operations for all functions.

- Hydraulic Reservoir Capacity : 800 liters

Load Hoist Drums (W1, W2)

Independent bi-directional hydraulic motors provide power through a two-stage planetary reduction gear unit to drive the two main hoisting drums for hoisting and lowering operations.

Cables : 28mm dia. / 800 m long.

Long Mast Hoist Drum (W3)

A single bi-directional axial piston hydraulic motor powers a 3-stage planetary reduction gear unit that drives the rope drum to either hoist or lower the long mast.

Cables : 28 mm dia.

Luffing Jib Hoist Drum (W4)

A single bi-directional axial piston hydraulic motor powers a 3-stage planetary reduction gear unit that drives the rope drum to either hoist or lower the luffing jib.

Cables : 28 mm dia.

Boom Hoist Drum (W5)

A single bi-directional axial piston hydraulic motor powers a 3-stage planetary reduction gear unit that drives the rope drum to either hoist or lower the boom.

Cables : 28 mm dia.

Specifications

Slewing System

Slewing system is designed so that the three slewing pinions mesh with the external slewing ring gear. With this design, the external slewing gears bears the majority of the slewing torque. The system is designed to be easy to lubricate.

Counterweight

Standard 160 ton counterweight consists of a 20-ton base weight and 14 cast iron block pieces that all have the same dimensions.

Lower Weight

A 62 ton lower weight is required for SL-B specification.

Side Frames

All welded structures are manufactured from high-strength steel. Each component is equipped with two steel plate hooks to make assembling on lower frame lower. Side frame is secured by removable joint pins provided on the lower frame.

- Shoe width : 1 220 mm wide is standard.
1 524 mm wide is option.
- Drive unit : 2-track drive unit per side frame.

Safety Device

- Load Moment Indicator (LMI) : The computerized system helps prevent overloads and provide safe and efficient control. Meets both EN and BS standards.
- Front-end Attachment. Erection Mode : This is an internal function of the Load Moment Indicator (LMI). It gives a warning on the LMI panel that the crane has extended beyond its intended working area. Once the work outside the intended working area is completed, the system returns automatically to resume work in the intended working range.
- Hydraulic Boom Backstops : These stops operate in conjunction with LMI to help prevent backward reaction, especially when operating with short boom lengths or against winds.
- Boom Over-hoist and Over-lowering Limiting Device : This is a combination of two systems designed to enhance operating efficiency. One system is a limit switch that is incorporated into the boom foot to prevent over hoisting. The other is a part of the LMI that prevents over-hoisting or over-lowering the boom. It includes automatic drum braking, hydraulic locks and alarm warnings.
- Drum Locks : Electrically operated pawl locks are provided as standard on all drums.

Symbols



Capacity



Heavy Duty Boom Length



SL-N



Working Radius



Long Range Boom



SL-T



Counterweight



Long Range Boom Length



SL-B



Lower Weight



Luffing Jib



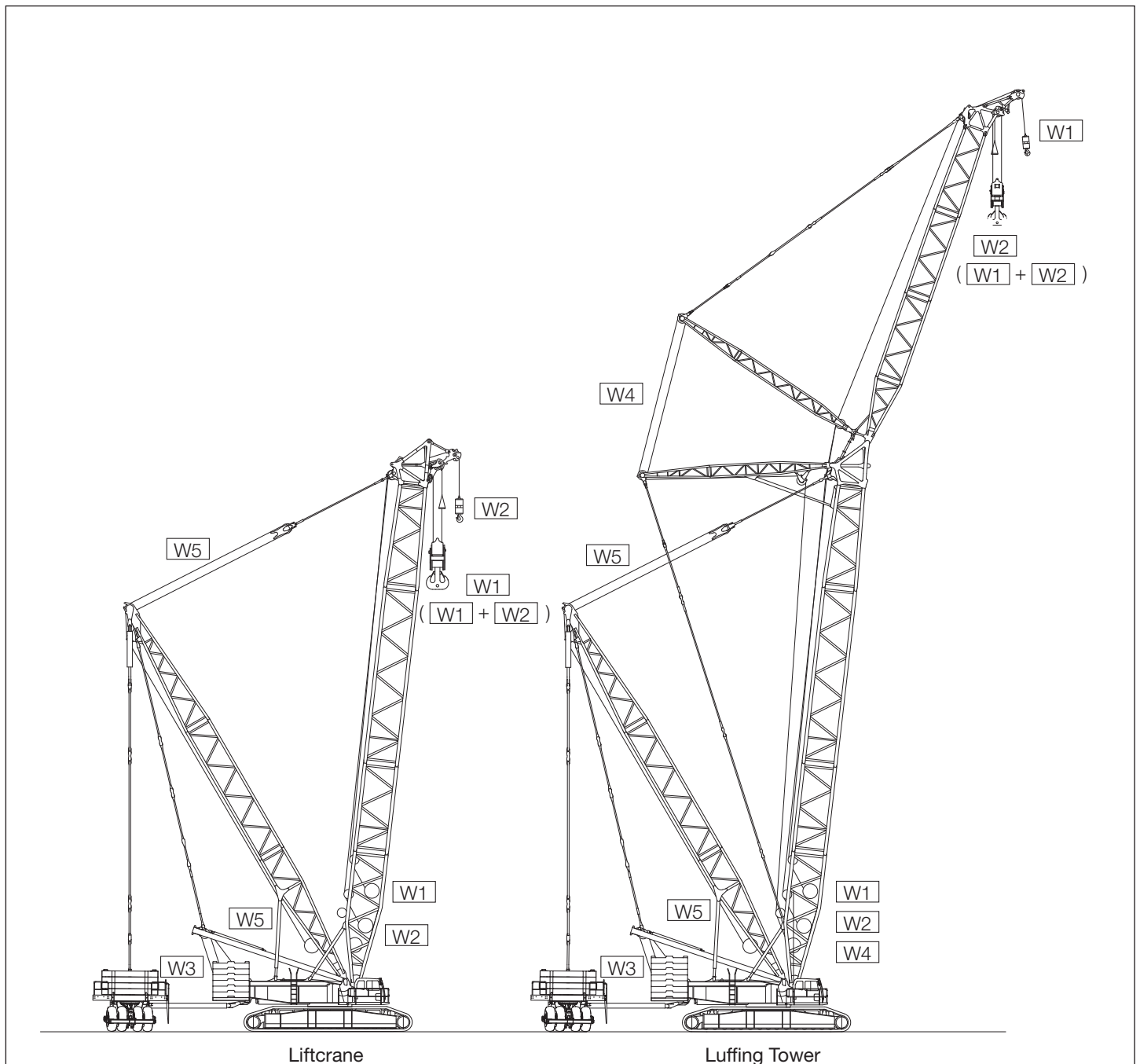
Heavy Duty Boom



Luffing Jib Length



Winch Assignment



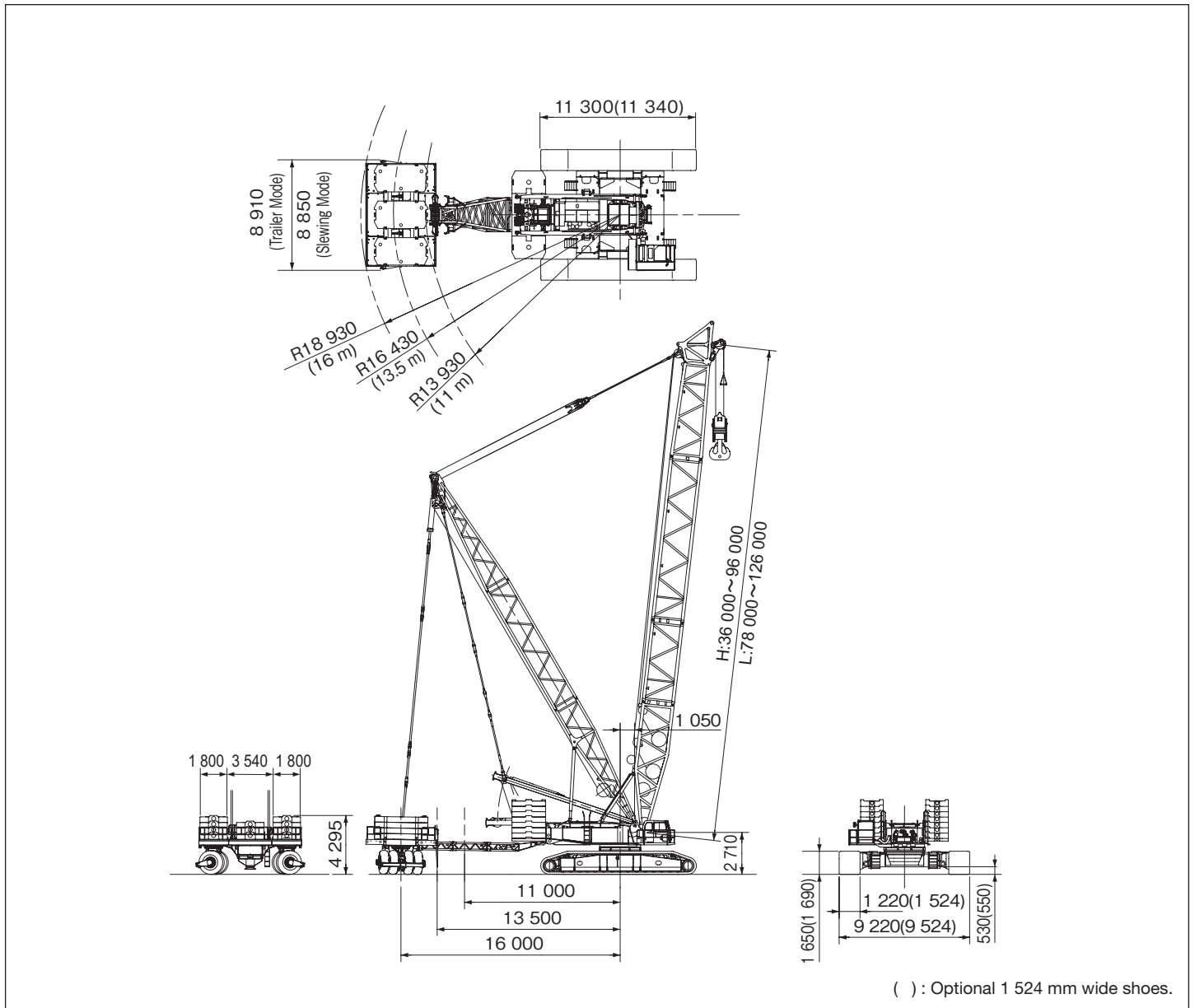
Hook Blocks

Hook blocks		Mass (kg)
550 t	280 t hook block plus a ten sheaves equalizer block	12 500
280 t	Ten sheaves	7 000
320 t	160 t hook block plus an eight sheaves equalizer block	7 900
160 t	Five sheaves	3 900
65 t	Two sheaves	* 3 000 / 2 000
15 t	Ball hook	950

* : With auxiliary weights / Without auxiliary weights

Dimensions & Main Specifications : Liftcrane

■ Dimensions : Liftcrane



■ Main Specification. : Liftcrane

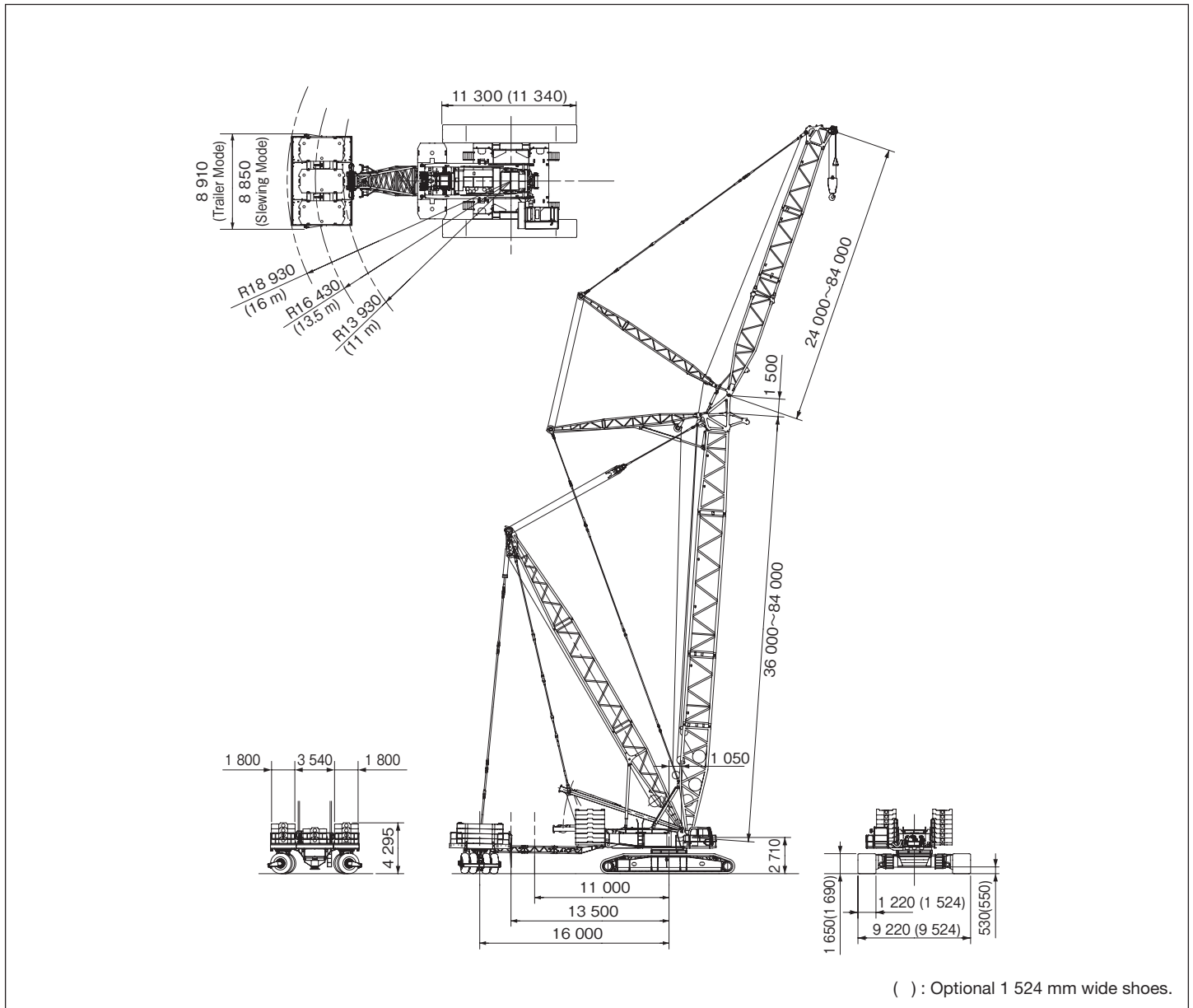
Front-end Attachment	Description	Specification			
		Heavy Duty Boom	Long Range Boom		
Liftcrane	Max. Lifting Capacity	t X m	550 X 8.0	231 X 24.0	
	Basic Boom Length	m	36	78	
	Max. Boom Length	m	96	126	
	Line Speed	Load Hoist Drum : W1, W2	m/min	110	
		Boom Hoist Drum : W5	m/min	40	
	Slewing Speed		min ⁻¹ (rpm)	0.5 (0.5)	
	Travel Speed		km/hr	1.5 / 1.3 / 0.6	
	Ground Pressure*	Structure	kPa (kgf/cm ²)	144 (1.47)	148 (1.51)
		Buggy	kPa (kgf/cm ²)	961 (9.8)	961 (9.8)
	Working Mass*		t	487	499

* Including basic boom, hook block(H : 550 t hook block, L : 320 t hook block), counterweight(160 t), buggy (w/o External counterweight) and optional 1 524mm wide shoes.



Dimensions & Main Specifications : Luffing Tower

Dimensions : Luffing Tower



Main Specification. : Luffing Tower

Front-end Attachment	Description		Spec.	
Luffing Tower	Max. Lifting Capacity	t X m	250 X 18.0	
	Basic Tower Length	m	36	
	Max. Tower Length	m	84	
	Basic Luffing Jib Length	m	24	
	Max. Luffing Jib Length	m	84	
	Max. Tower + Luffing Jib Length	m	84+84	
	Line Speed	Load Hoist Drums : W1,W2	m / min	110
		Tower Hoist Drum : W5	m / min	40
		Luffing Jib Hoist Drum : W4	m / min	49
	Slewing Speed	min ⁻¹ (rpm)	0.5 (0.5)	
	Travel Speed	km / hr	1.5 / 1.3 / 0.6	
	Ground Pressure*	Structure	kPa (kgf/cm ²)	160 (1.63)
		Buggy	kPa (kgf/cm ²)	961 (9.8)
Working Mass*	t	538		

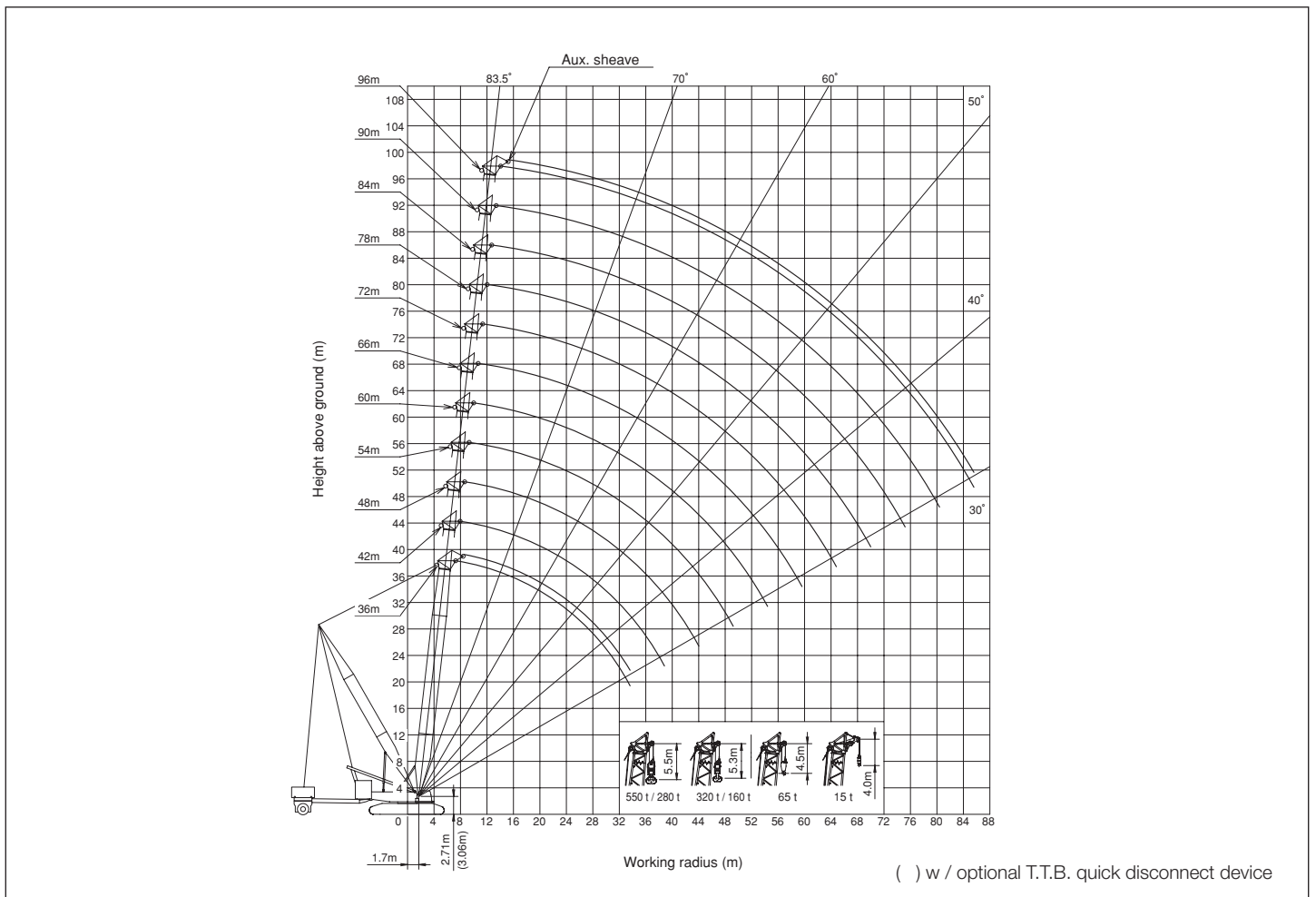
* : Including 84 m Tower + 84 m Luffing Jib, 65 t hook block, counterweight(160 t), buggy (w/o External counterweights) and optional 1 524 mm wide shoes.



Boom Combinations

Boom Combinations	
36 m	HB9.5 H6A H12A HR7 HT1.5
42 m	HB9.5 H12A H12B HR7 HT1.5
48 m	HB9.5 H6A H12A H12B HR7 HT1.5
54 m	HB9.5 H12A H12B H12C HR7 HT1.5
60 m	HB9.5 H6A H12A H12B H12C HR7 HT1.5
66 m	HB9.5 H12A H12B H12C HL12B HR7 HT1.5
72 m	HB9.5 H6A H12A H12B H12C HL12B HR7 HT1.5
78 m	HB9.5 H12A H12B H12C HL12B HL12B HR7 HT1.5
84 m	HB9.5 H6A H12A H12B H12C HL12B HL12B HR7 HT1.5
90 m	HB9.5 H12A H12B H12C HL12B HL12B HL12B HR7 HT1.5
96 m	HB9.5 H6A H12A H12B H12C HL12B HL12B HL12B HR7 HT1.5

Working Range Diagram





SL-B H Boom Lifting Capacities



160 t



62 t



260 t / 16 m

(ton)

 (m) (m)	36 ※	42	48	54	60	66	72	78	84	90	96
	7.3	550.0									
8	550.0	458.0	412.0 / 8.7								
9	528.0	458.0	412.0	364.0 / 9.4							
10	509.0	458.0	412.0	364.0	339.0	313.0 / 10.7	274.0 / 11.4				
12	478.0	452.0	412.0	364.0	339.0	313.0	274.0	223.5 / 12.1	188.0 / 12.7	155.5 / 13.4	
14	429.0	431.5	412.0	364.0	339.0	313.0	274.0	223.5	188.0	155.5	130.5 / 14.1
16	374.5	379.5	377.5	364.0	339.0	313.0	274.0	223.5	188.0	155.5	130.0
18	332.0	336.5	334.5	334.0	333.0	313.0	274.0	223.5	188.0	155.5	130.0
20	298.0	301.5	300.0	299.0	298.0	299.0	274.0	223.5	188.0	155.5	130.0
22	268.0	273.0	271.0	270.5	269.5	270.5	270.0	223.5	188.0	155.5	130.0
24	243.5	247.5	246.0	245.0	244.0	245.0	244.5	223.5	188.0	155.5	130.0
26	223.0	226.5	224.5	224.0	223.0	224.0	223.0	223.0	188.0	155.5	130.0
28	203.2	208.5	206.5	206.0	204.5	205.5	205.0	204.5	188.0	154.5	130.0
30	184.3	193.0	191.0	190.0	189.0	190.0	189.5	189.0	188.0	151.0	129.0
32	167.4	179.5	177.5	176.5	175.5	176.0	175.5	175.0	174.5	147.0	126.0
34	154.9 / 33.6	165.2	165.7	164.8	163.7	164.4	163.7	163.3	162.4	143.4	122.5
36		151.7	155.2	154.3	153.1	153.7	153.0	152.6	151.7	139.3	118.9
38		139.4	145.8	144.9	143.6	144.2	143.5	143.1	142.1	135.1	115.3
40		134.6 / 38.8	137.5	136.5	135.2	135.7	134.9	134.5	133.5	131.0	111.8
42			127.4	128.9	127.5	128.0	127.2	126.8	125.8	125.5	108.2
44			117.9	122.1	120.6	121.0	120.2	119.7	118.7	118.4	104.5
46				116.9	114.4	114.6	113.8	113.3	112.3	112.0	101.1
48				109.0	108.7	108.9	108.0	107.5	106.5	106.1	98.3
50				104.4 / 49.2	103.5	103.6	102.6	102.1	101.1	100.7	94.9
52					98.7	98.7	97.7	97.2	96.1	95.8	91.7
54					93.7	94.2	93.2	92.6	91.6	91.2	88.5
56					92.5 / 54.4	90.1	89.0	88.4	87.3	86.9	85.4
58						86.3	84.9	84.5	83.4	83.0	82.1
60						83.0 / 59.6	81.0	80.8	79.6	79.1	78.1
64							74.0	73.7	72.4	71.9	70.9
68							72.7 / 64.8	67.5	66.1	65.6	64.5
72								64.8 / 69.9	60.6	60.1	58.9
76									56.8 / 75.1	55.1	53.9
80										50.7	49.5
84										50.4 / 80.3	45.5
85.5											44.1

※ The mass of the counterweight is 140 t when the boom length is 36 m.



Notes

1. Capacities included in these charts are the maximum allowable, and are based on machine standing level on firm supporting surface under ideal job conditions.
2. Capacities are in metric tons, and are rated in accordance with European EN13 000 Standards in terms of machine stability and structural strength limitations. ; each rated load capacity is based on machine's structural strength limitations.
3. Capacities are based on freely suspended loads and make no allowance for such factors as the effect of wind, sudden stopping of loads, supporting surface conditions, and operating speeds. Operator must reduce load ratings to take such conditions into account. Deduction from rated capacities must be made for weight of hook block, weighted ball/hook, sling, spreader bar, or other suspended gear.
4. The maximum rated load of the auxiliary sheave is the value remaining after the 2.0 ton mass of the auxiliary sheave and the mass of the "main hook" attached to the "boom" are deducted from the maximum rated load of the "Heavy Duty Boom Capacities." However, the maximum rated load of the auxiliary sheave is limited to 60 tons. The operating range of the auxiliary sheave is the range that has the maximum rated load of the main hook.
5. If the auxiliary sheave is attached, the maximum rated load of the "main hook" is the value remaining after the 2.0 ton mass of the auxiliary sheave and the mass of the auxiliary hook attached to the auxiliary sheave are deducted from the maximum rated load of the "Heavy Duty Boom Capacities."
6. The "working radius" is the horizontal distance from the slewing center to the center of gravity of a lifted load.
7. The boom tilt angle range is according to the working range diagram.
8. The chart below shows the number of reeled lines and the maximum rated loads. (When the wire rope length is 800 m.)

Hook Capacity (ton)	Hook Weight (ton)	Maximum Rated Load (ton)																				
		20 X 2Falls	19 X 2Falls	18 X 2Falls	17 X 2Falls	16 X 2Falls	15 X 2Falls	14 X 2Falls	13 X 2Falls	12 X 2Falls	11 X 2Falls	10 X 2Falls	9 X 2Falls	8 X 2Falls	7 X 2Falls	6 X 2Falls	5 X 2Falls					
550	Double-Reeling	12.5	550	502	480	458	435	412	388	364	339	314	288	262	235	208	180	-	-	-	-	-
320	Double-Reeling	7.9	-	-	-	-	-	-	-	-	320	314	288	262	235	208	180	151	-	-	-	-
			20 Falls	19 Falls	18 Falls	17 Falls	16 Falls	15 Falls	14 Falls	13 Falls	12 Falls	11 Falls	10 Falls	9 Falls	8 Falls	7 Falls	6 Falls	5 Falls	4 Falls	3 Falls	2 Falls	1 Fall
280	Single-Reeling	7.0	262	251	240	229	217	206	194	182	170	157	144	131	118	104	-	-	-	-	-	-
160	Single-Reeling	3.9	-	-	-	-	-	-	-	-	-	157	144	131	118	104	90	76	-	-	-	-
65	Single-Reeling	*3.0 / 2.0	-	-	-	-	-	-	-	-	-	-	-	-	-	-	-	65	61	46	31	-
15	Single-Reeling	1.0	-	-	-	-	-	-	-	-	-	-	-	-	-	-	-	-	-	-	-	-

* :With auxiliary weights / Without auxiliary weights

9. The chart below shows the operable windings based on the length of each boom.

Hook Capacity (ton)/Boom Length (m)		36	42	48	54	60	66	72	78	84	90	96	
550	Double-Reeling	Max.	20 x 2	17 x 2	15 x 2	13 x 2	12 x 2	11 x 2	10 x 2	8 x 2	7 x 2	6 x 2	-
		Min.	6 x 2	6 x 2	6 x 2	6 x 2	6 x 2	6 x 2	6 x 2	6 x 2	6 x 2	6 x 2	6 x 2
320	Double-Reeling	Max.	12 x 2	12 x 2	12 x 2	12 x 2	12 x 2	11 x 2	10 x 2	8 x 2	7 x 2	6 x 2	5 x 2
		Min.	5 x 2	5 x 2	5 x 2	5 x 2	5 x 2	5 x 2	5 x 2	5 x 2	5 x 2	5 x 2	5 x 2
280	Single-Reeling	Max.	20	17	15	13	12	11	10	8	8	7	7
		Min.	7	7	7	7	7	7	7	7	7	7	7
160	Single-Reeling	Max.	11	11	11	11	11	11	10	8	8	7	7
		Min.	5	5	5	5	5	5	5	5	5	5	5
65	Single-Reeling	Max.	5	5	5	5	5	5	5	5	5	5	5
		Min.	2	2	2	2	2	2	2	2	2	2	2
15	Single-Reeling		-	-	-	-	-	-	-	-	-	-	-



Notes

10. If the total mass of the hook mass and the mass of all rigging components is lighter than the mass indicated on this chart, the hook may not lower even when a lowering operation is performed. Please select a hook that can be lowered based on the boom length and number of windings.

Boom Length / Number of reeled lines	1 Fall	2 Falls	3 Falls	4 Falls	5 Falls	6 Falls	7 Falls	8 Falls	9 Falls	10 Falls	11 Falls	12 Falls	13 Falls	14 Falls	15 Falls	16 Falls	17 Falls	18 Falls	19 Falls	20 Falls
36 m	-	2.0	2.0	2.0	2.0	3.9	3.9	3.9	3.9	3.9	3.9	7.0	7.0	7.0	7.0	7.0	7.0	7.0	7.0	7.0
42 m	-	2.0	2.0	2.0	2.0	3.9	3.9	3.9	3.9	3.9	3.9	7.0	7.0	7.0	7.0	7.0	7.0	-	-	-
48 m	-	2.0	2.0	2.0	2.0	3.9	3.9	3.9	3.9	3.9	3.9	7.0	7.0	7.0	7.0	-	-	-	-	-
54 m	-	2.0	2.0	2.0	2.0	3.9	3.9	3.9	3.9	3.9	3.9	7.0	7.0	-	-	-	-	-	-	-
60 m	-	2.0	2.0	2.0	2.0	3.9	3.9	3.9	3.9	3.9	4.1	7.0	-	-	-	-	-	-	-	-
66 m	-	2.0	2.0	2.0	2.0	3.9	3.9	3.9	3.9	4.0	4.5	-	-	-	-	-	-	-	-	-
72 m	-	2.0	2.0	2.0	2.1	3.9	3.9	3.9	3.9	4.4	-	-	-	-	-	-	-	-	-	-
78 m	-	2.0	2.0	2.0	2.3	3.9	3.9	3.9	-	-	-	-	-	-	-	-	-	-	-	-
84 m	-	2.0	2.0	2.0	2.4	3.9	3.9	4.0	-	-	-	-	-	-	-	-	-	-	-	-
90 m	-	2.0	2.0	2.1	2.6	3.9	3.9	-	-	-	-	-	-	-	-	-	-	-	-	-
96 m	-	2.0	2.0	2.2	2.8	3.9	4.0	-	-	-	-	-	-	-	-	-	-	-	-	-

11. The rated total load when the operation being performed with the rear post support pendant attached is the value remaining when the value in chart below is deducted from the rated total load chart.

Boom Length (m)	36	42	48	54	60	66	72	78	84	90	96
Equivalent Mass (ton)	1.0	1.2	1.5	1.7	2.0	2.2	2.5	2.7	3.0	3.2	3.5

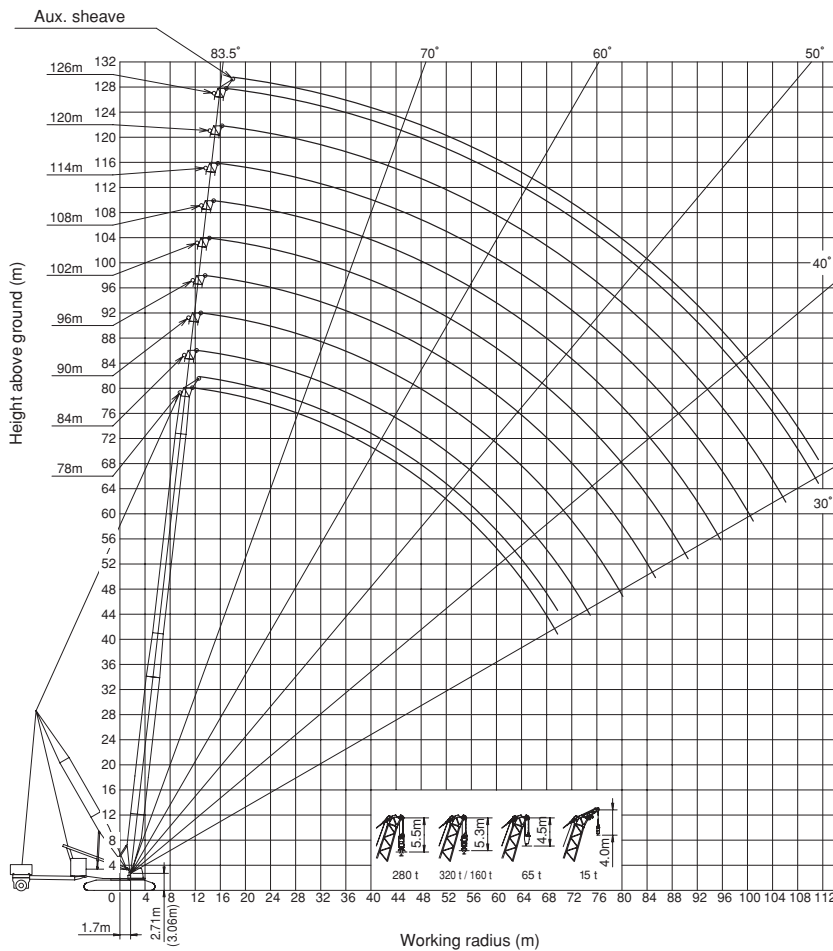


Boom Combinations

Boom Combinations	
78 m	HB9.5 H6A H12A H12B H12C HL12B HR7 LT7.5
84 m	HB9.5 H12A H12B H12C HL12B HL12B HR7 LT7.5
90 m	HB9.5 H12A H12B H12C HL12B HL12B HR7 L6A LT7.5
96 m	HB9.5 H12A H12B H12C HL12B HL12B HR7 L12A LT7.5
102 m	HB9.5 H12A H12B H12C HL12B HL12B HR7 L6A L12A LT7.5
108 m	HB9.5 H12A H12B H12C HL12B HL12B HR7 L12A L12B LT7.5
114 m	HB9.5 H6A H12A H12B H12C HL12B HL12B HR7 L12A L12B LT7.5
120 m	HB9.5 H6A H12A H12B H12C HL12B HL12B HR7 L6A L12A L12B LT7.5
126 m	HB9.5 H6A H12A H12B H12C HL12B HL12B HR7 L12A L12A L12B LT7.5

※ "▲" shows midpoint support.

Working Range Diagram



() w / optional T.T.B. quick disconnect device



SL-B L Boom Lifting Capacities

160 t
 62 t
 260 t / 16 m

(ton)

(m) (m)	78	84	90	96	102	108	114	120	126
11.6	231.0								
12	231.0	187.0 / 12.3	156.0 / 12.9	140.0 / 13.6					
14	231.0	187.0	156.0	140.0	118.0 / 14.3	99.0 / 15.0	90.0 / 15.6		
16	231.0	187.0	156.0	140.0	118.0	98.5	90.0	75.0 / 16.3	65.0 / 17.0
18	231.0	187.0	156.0	140.0	118.0	97.5	90.0	75.0	65.0
20	231.0	187.0	156.0	138.5	116.0	96.5	89.0	74.5	65.0
22	231.0	187.0	156.0	137.0	115.0	95.0	87.0	73.5	64.0
24	231.0	187.0	156.0	135.5	112.5	93.5	85.0	72.5	63.0
26	211.5	183.0	154.0	134.0	110.0	92.0	83.0	71.5	62.0
28	196.5	178.0	151.0	132.0	107.5	90.0	81.0	70.5	61.0
30	183.5	172.5	147.5	130.0	105.0	88.0	79.0	69.5	60.0
32	172.0	165.0	144.0	128.0	102.5	86.5	77.5	68.5	59.0
34	162.2	157.5	140.1	125.0	100.0	85.0	76.0	67.8	58.2
36	153.5	150.0	135.1	122.0	97.0	83.5	74.5	66.8	57.3
38	144.7	142.0	130.4	119.0	94.8	82.0	72.5	65.4	56.2
40	138.5	135.0	125.5	115.0	92.5	80.5	70.3	64.4	55.3
42	130.5	128.0	120.9	111.5	90.4	78.5	68.6	63.2	54.5
44	123.5	121.5	117.0	108.0	88.2	77.0	67.0	61.7	53.5
46	117.5	116.0	112.9	104.5	86.4	75.5	65.6	60.2	52.8
48	111.5	110.0	108.4	101.5	84.6	74.0	64.1	58.9	52.0
50	106.0	105.0	104.5	97.5	83.2	72.5	62.6	57.5	51.0
52	101.0	100.0	99.0	94.0	81.4	71.0	61.2	56.2	50.3
54	96.5	95.0	94.8	90.5	79.6	69.5	59.8	55.0	49.4
56	91.0	90.5	90.6	87.5	77.7	68.0	58.4	53.9	48.4
58	86.4	86.5	86.0	84.2	75.7	66.5	57.1	53.1	47.5
60	82.4	82.5	82.0	81.2	74.7	65.0	55.8	52.0	46.5
64	74.7	75.0	74.9	74.3	69.1	62.0	53.2	49.9	44.7
68	67.4	68.2	68.5	67.8	63.9	59.0	50.6	48.0	43.0
72	63.9 / 69.7	61.8	62.8	62.3	58.7	56.0	48.2	46.1	41.3
76		57.8 / 74.9	57.2	57.4	54.7	53.0	45.8	44.4	39.6
80			51.5	53.2	51.4	50.0	43.7	42.6	37.9
84			51.4 / 80.1	49.5	48.1	47.0	41.7	41.0	36.1
88				48.3 / 85.3	44.5	44.0	39.9	39.2	34.4
92					42.3 / 90.5	41.0	38.2	37.6	32.7
96						38.0 / 95.7	36.6	35.8	30.9
100							35.0	34.0	29.3
104							34.2 / 100.9	32.0	27.6
108								31.0 / 106.1	26.0
111.3									24.7



Notes

1. Capacities included in these charts are the maximum allowable, and are based on machine standing level on firm supporting surface under ideal job conditions.
2. Capacities are in metric tons, and are rated in accordance with European EN13 000 Standards in terms of machine stability and structural strength limitations. ; each rated load capacity is based on machine's structural strength limitations.
3. Capacities are based on freely suspended loads and make no allowance for such factors as the effect of wind, sudden stopping of loads, supporting surface conditions, and operating speeds. Operator must reduce load ratings to take such conditions into account. Deduction from rated capacities must be made for weight of hook block, weighted ball/hook, sling, spreader bar, or other suspended gear.
4. The maximum rated load of the auxiliary sheave is the value remaining after the 1.3 ton mass of the auxiliary sheave and the mass of the "main hook" attached to the "boom" are deducted from the maximum rated load of the "Long Range Boom Capacities." However, the maximum rated load of the auxiliary sheave is limited to 30 tons. The operating range of the auxiliary sheave is the range that has the maximum rated load of the main hook.
5. If the auxiliary sheave is attached, the maximum rated load of the "main hook" is the value remaining after the 1.3 ton mass of the auxiliary sheave and the mass of the auxiliary hook attached to the auxiliary sheave are deducted from the maximum rated load of the "Long Range Boom Capacities."
6. The "working radius" is the horizontal distance from the slewing center to the center of gravity of a lifted load.
7. The boom tilt angle range is according to the working range diagram.
8. The chart below shows the number of reeled lines and the maximum rated loads. (When the wire rope length is 800 m.)

Hook Capacity (ton)		Hook Weight (ton)	Maximum Rated Load (ton)										
			11 X 2Falls	10 X 2Falls	9 X 2Falls	8 X 2Falls	7 X 2Falls	6 X 2Falls	5 X 2Falls				
320	Double-Reeling	7.9	-	-	250	235	195	180	151	-	-	-	-
			11 Falls	10 Falls	9 Falls	8 Falls	7 Falls	6 Falls	5 Falls	4 Falls	3 Falls	2 Falls	1 Fall
280	Single-Reeling	7.0	157	144	131	118	104	-	-	-	-	-	-
160	Single-Reeling	3.9	157	144	131	118	104	90	76	-	-	-	-
65	Single-Reeling	*3.0 / 2.0	-	-	-	-	-	-	65	61	46	31	-
15	Single-Reeling	1.0	-	-	-	-	-	-	-	-	-	-	-

* : With auxiliary weights / Without auxiliary weights

9. The chart below shows the operable windings based on the length of each boom.

Hook Capacity (ton)/Boom Length (m)		78	84	90	96	102	108	114	120	126	
320	Double-Reeling	Max.	8 x 2	7 x 2	6 x 2	5 x 2	5 x 2	5 x 2	5 x 2	-	-
		Min.	5 x 2	5 x 2	5 x 2	5 x 2	5 x 2	5 x 2	5 x 2	-	-
280	Single-Reeling	Max.	8	8	7	7	6	6	5	5	5
		Min.	6	6	6	6	6	6	5	5	5
160	Single-Reeling	Max.	8	8	7	7	6	6	5	5	5
		Min.	5	5	5	5	5	5	5	5	5
65	Single-Reeling	Max.	5	5	5	5	5	5	5	5	5
		Min.	2	2	2	2	2	2	2	2	2
15	Single-Reeling		-	-	-	-	-	-	-	-	-



Notes

10. If the total mass of the hook mass and the mass of all rigging components is lighter than the mass indicated on this chart, the hook may not lower even when a lowering operation is performed.

Please select a hook that can be lowered based on the boom length and number of windings.


Boom Length / Number of reeled lines	1 Fall	2 Falls	3 Falls	4 Falls	5 Falls	6 Falls	7 Falls	8 Falls
78 m	-	2.0	2.0	2.0	2.3	3.9	3.9	3.9
84 m	-	2.0	2.0	2.0	2.4	3.9	3.9	4.0
90 m	-	2.0	2.0	2.1	2.6	3.9	3.9	-
96 m	-	2.0	2.0	2.2	2.8	3.9	4.0	-
102 m	-	2.0	2.0	2.3	3.0	3.9	-	-
108 m	-	2.0	2.0	2.5	3.1	3.9	-	-
114 m		2.0	2.0	2.6	3.3	-	-	-
120 m		2.0	2.0	2.8	3.5	-	-	-
126 m		2.0	2.1	2.9	3.7	-	-	-


11. The rated total load when the operation being performed with the rear post support pendant attached is the value remaining when the value in chart below is deducted from the rated total load chart.

Boom Length (m)	78	84	90	96	102	108	114	120	126
Equivalent Mass (ton)	2.2	2.4	2.2	2.1	2.0	1.9	2.1	2.0	1.9





Boom Combinations

	Tower Combinations
36 m	
42 m	
48 m	
54 m	
60 m	
66 m	
72 m	
78 m	
84 m	

	Jib Combinations
24 m	
30 m	
36 m	
42 m	
48 m	
54 m	
60 m	
66 m	
72 m	
78 m	
84 m	

※ "▲" shows midpoint support.

Boom Combinations

	24 m	30 m	36 m	42 m	48 m	54 m	60 m	66 m	72 m	78 m	84 m
											
36 m	⊙	⊙	⊙	⊙	⊙	⊙	⊙	⊙	⊙	⊙	⊙
42 m	⊙	⊙	⊙	⊙	⊙	⊙	⊙	⊙	⊙	⊙	⊙
48 m	⊙	⊙	⊙	⊙	⊙	⊙	⊙	⊙	⊙	⊙	⊙
54 m	⊙	⊙	⊙	⊙	⊙	⊙	⊙	⊙	⊙	⊙	⊙
60 m	⊙	⊙	⊙	⊙	⊙	⊙	⊙	⊙	⊙	⊙	⊙
66 m	×	⊙	⊙	⊙	⊙	⊙	⊙	⊙	⊙	⊙	⊙
72 m	×	×	⊙	⊙	⊙	⊙	⊙	⊙	⊙	⊙	⊙
78 m	×	×	×	⊙	⊙	⊙	⊙	⊙	⊙	○	●
84 m	×	×	×	×	⊙	⊙	⊙	○	●	●	△

*The above-mentioned signs are as follows.

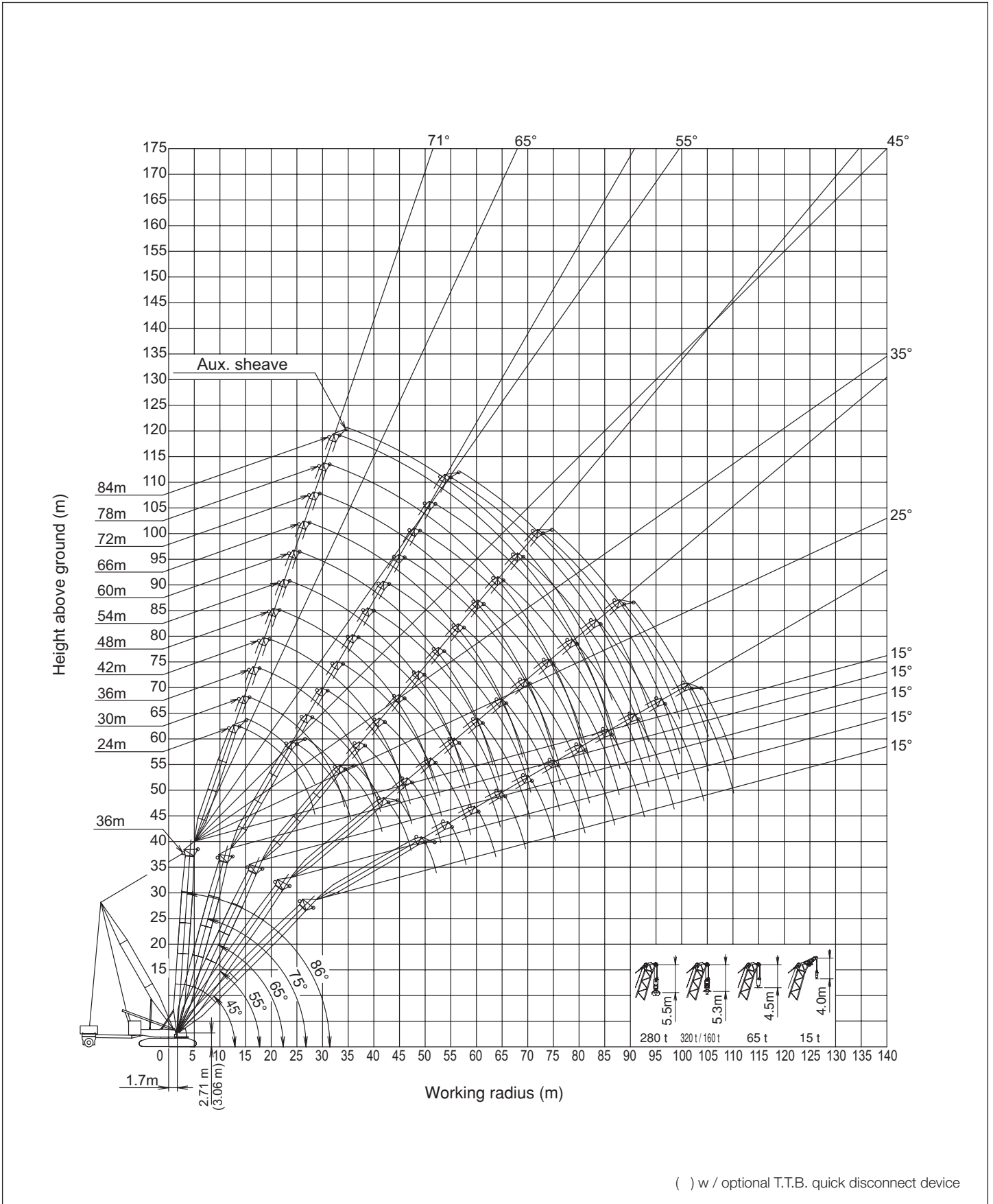
⊙ : Possible at 86° - 45° ○ : Possible at 86° - 55° ● : Possible at 86° - 65° △ : Possible at 86° - 75° × : No setting




Working Range Diagram

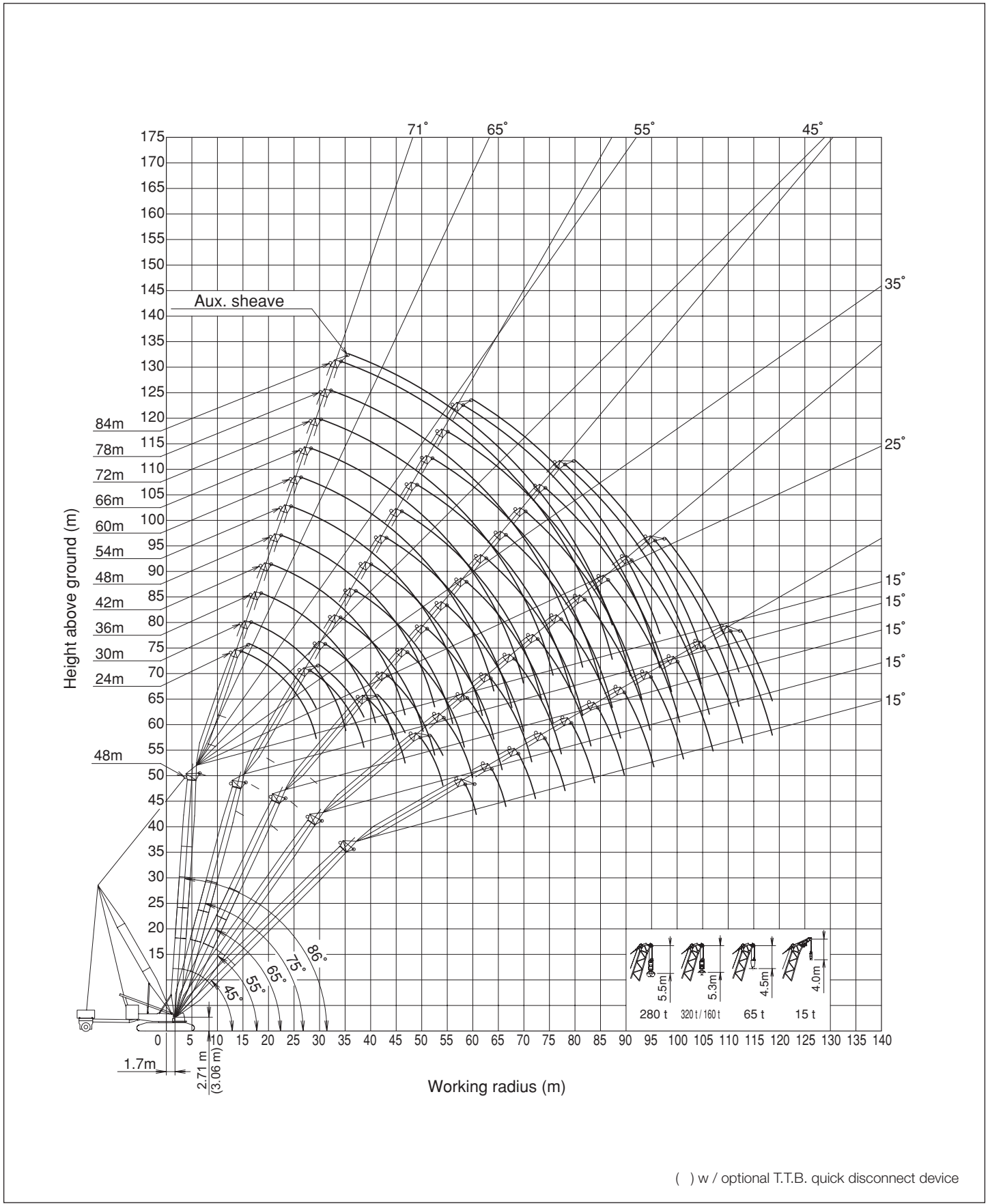


Tower length 36 m



Working Range Diagram

 Tower length 48 m

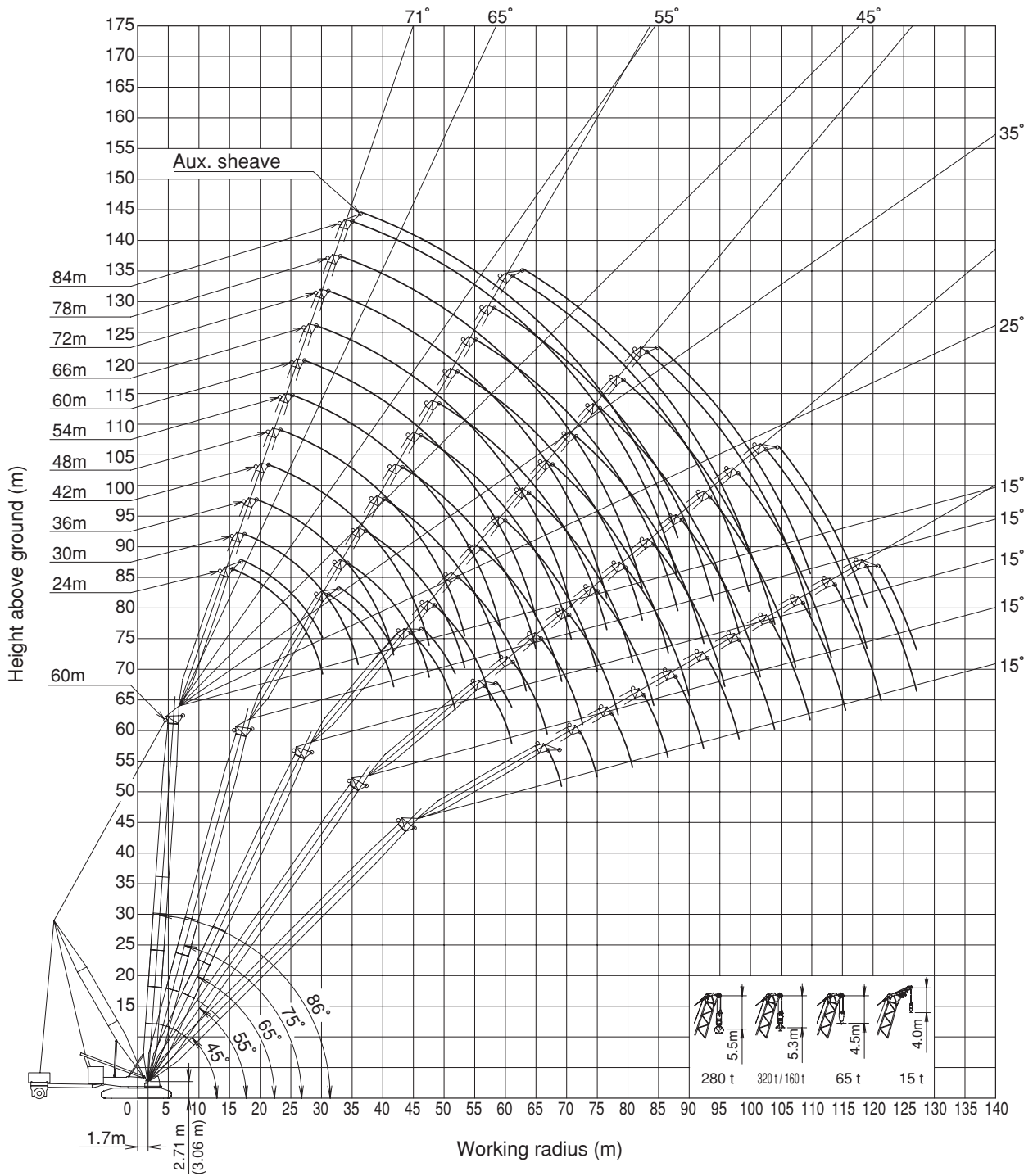




Working Range Diagram




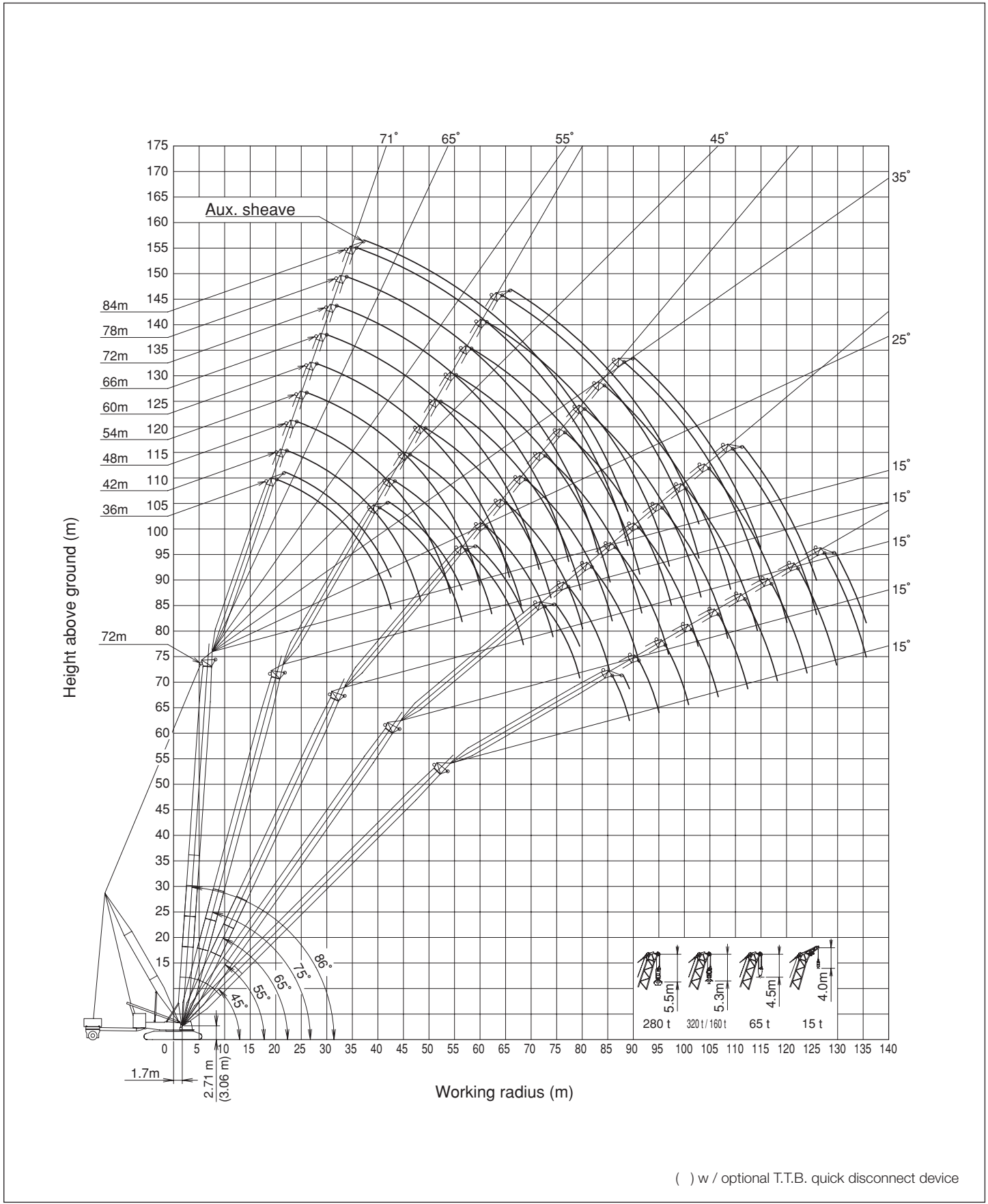
Tower length 60 m



() w / optional T.T.B. quick disconnect device

Working Range Diagram

 Tower length 72 m

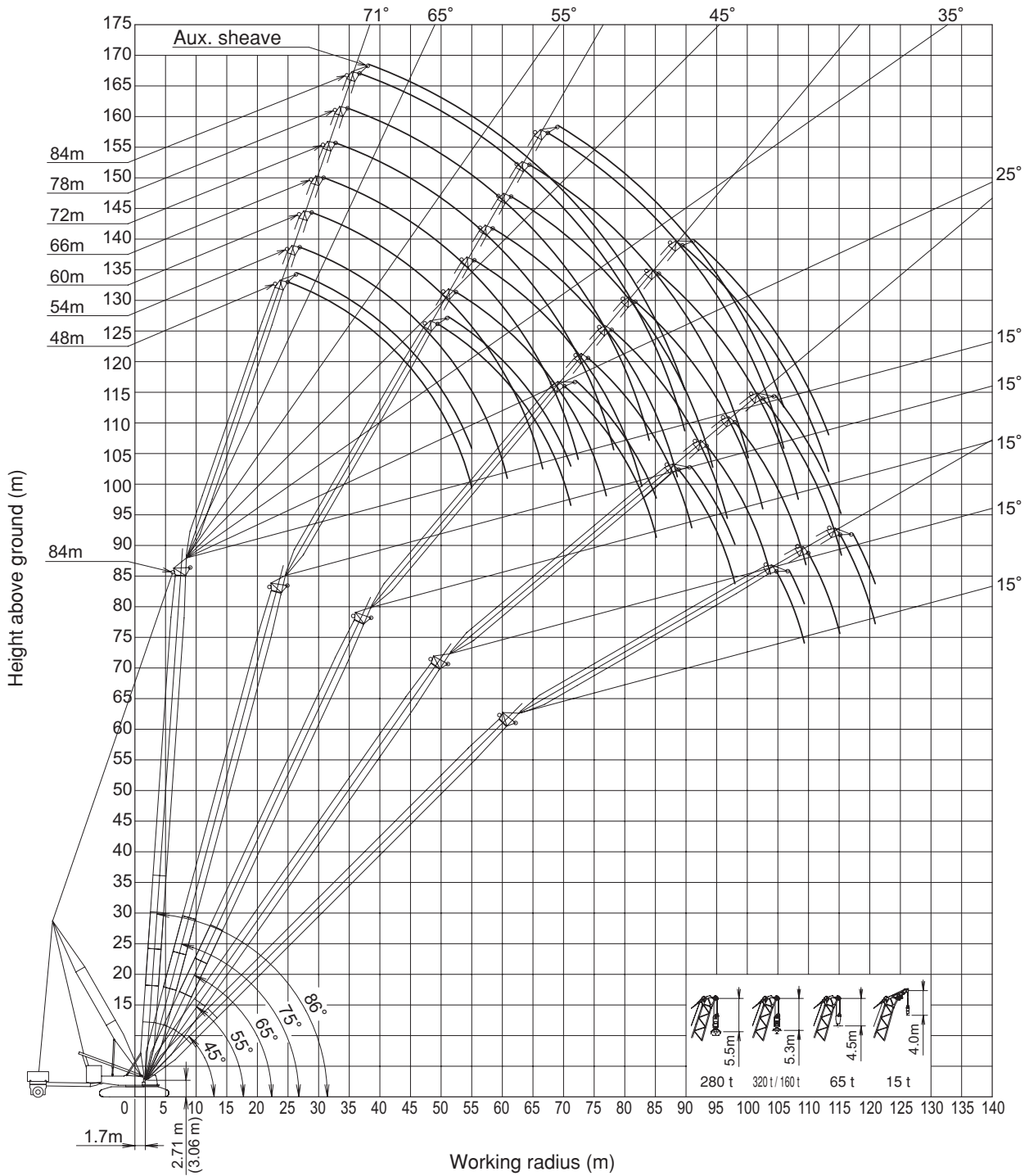




Working Range Diagram







Tower length 84 m




() w / optional T.T.B. quick disconnect device


SL-B Luffing Jib Capacities

 36 m  160 t  62 t  260 t / 16 m w / o Heavy head sheave block

(ton)

 (m)	24					36					48				
	86°	75°	65°	55°	45°	86°	75°	65°	55°	45°	86°	75°	65°	55°	45°
13.9	250.0														
14	250.0														
16	250.0					210.0 / 17.8									
18	250.0					209.4									
20	230.8					204.0					145.8 / 21.7				
22	198.3					194.4					145.4				
24	162.5	237.6 / 25.0				181.5					142.3				
26	130.2	227.3				168.3					137.4				
28	99.7	209.1				149.6					131.8				
30	91.0 / 28.5	193.5				133.2	183.8 / 31.0				125.9				
34		135.8	159.1 / 34.5			106.1	165.5				113.5	134.2 / 37.0			
38		109.0 / 35.5	142.7			82.7	134.1				98.8	130.2			
42			120.5 / 41.6	120.7 / 42.9		68.9 / 40.0	108.2	123.9 / 42.2			82.8	115.8			
46				111.5			85.1	112.2			69.1	100.4	100.6 / 49.9		
50				108.3 / 47.2	97.9 / 50.1		77.9 / 47.1	102.0	93.8 / 52.1		56.0	85.1	100.3		
54					93.7 / 52.1			80.6 / 53.2	90.0		50.2 / 51.6	71.7	91.7		
58									83.0			58.6	83.0		
60									81.7 / 58.8	76.0 / 60.5		56.0 / 58.7	76.6	75.8 / 61.3	
64										71.7 / 63.7			61.7	72.0	
68													58.0 / 64.8	66.9	60.9 / 70.9
72														61.3 / 70.4	59.8
76															56.7 / 75.3

(ton)

 (m)	60					72					84				
	86°	75°	65°	55°	45°	86°	75°	65°	55°	45°	86°	75°	65°	55°	45°
24	102.6 / 25.6														
26	102.3														
28	99.6					74.2 / 29.5									
30	96.6					73.5					49.7 / 33.4				
34	91.4					68.6					49.5				
38	87.1					65.3					47.5				
42	83.8	88.7 / 43.0				61.7					44.3				
46	76.0	85.6				58.8	61.0 / 49.0				41.5				
50	65.5	82.3				56.3	60.2				39.2				
54	56.4	78.3	76.9 / 57.6			54.4	57.2				37.2	40.1 / 55.0			
58	48.0	68.1	76.6			52.6	54.6				35.5	38.4			
60	43.9	63.6	75.4			50.0	53.5				34.8	37.3			
64	36.8 / 63.2	55.1	72.2			43.7	51.8	50.6 / 65.3			33.4	35.5			
68		46.9	63.3	61.7 / 70.5		37.9	49.7	49.4			31.3	33.9			
72		41.8 / 70.3	55.2	60.1		32.2	44.2	47.9			29.4	32.6	34.1 / 73.0		
76			45.8	56.2		27.8 / 74.8	39.4	46.8	44.4 / 79.7		27.8	31.0	32.9		
80			44.6 / 76.4	52.7	49.1 / 81.3		34.9	46.5	44.3		26.4	29.2	31.7		
84					47.1		31.9 / 81.9	40.7	43.6		23.2	27.6	30.2		
88					45.2 / 86.9			33.7	43.4	38.8 / 91.7	20.4 / 86.4	26.3	28.5	26.9 / 88.9	
92									38.7	38.8		23.9	27.1	26.3	
96									34.3 / 93.6	38.1		23.0 / 93.5	25.9	25.9	
100										36.8 / 98.5			25.1 / 99.6	25.8	22.5 / 102.0
104														25.5	22.5
108														25.3 / 105.2	22.5
110.1															22.5



SL-B Luffing Jib Capacities


48 m 160 t 62 t 260 t / 16 m w / o Heavy head sheave block





(ton)

Luffing Tower (m)	24					36					48				
	86°	75°	65°	55°	45°	86°	75°	65°	55°	45°	86°	75°	65°	55°	45°
14.7	212.6														
16	208.1														
18	201.2					156.8 / 18.6									
20	194.2					153.9									
22	187.8					149.8					111.0 / 22.5				
24	173.4					145.5					109.1				
26	147.9					141.3					106.5				
28	116.6	202.2 / 28.2				137.2					103.9				
30	95.0 / 29.3	190.0				133.4					101.2				
34		165.0				114.3	147.1 / 34.2				96.0				
38		124.6	131.7 / 39.5			90.3	139.2				91.1	109.2 / 40.2			
42		113.0 / 38.6	122.8			71.9 / 40.9	125.8				86.4	107.0			
46			110.7	96.2 / 49.8			100.3	105.3 / 47.3			73.3	101.9			
50			103.3 / 46.7	95.7			79.6	98.7			60.2	94.4			
54				87.6			78.6 / 50.2	90.3			51.3 / 52.5	79.2	86.0 / 55.0		
58				87.4 / 54.1	75.7 / 58.6			79.7	76.9 / 59.0			67.0	80.7		
60					73.6			77.4 / 58.3	75.4			61.5	77.5		
64					72.8 / 60.6				69.8			56.6 / 61.8	71.7		
68									67.2 / 65.7	60.2 / 69.0			59.2	62.2 / 68.2	
72										57.2			51.8 / 69.9	58.2	
76										57.0 / 72.2				54.4	48.1 / 79.4
80														52.5 / 77.3	47.6
84															45.0 / 83.8


(ton)

Luffing Tower (m)	60					72					84				
	86°	75°	65°	55°	45°	86°	75°	65°	55°	45°	86°	75°	65°	55°	45°
26	82.6 / 26.4														
28	81.4														
30	79.9					65.7 / 30.3									
34	76.8					63.3					44.8 / 34.2				
38	73.6					59.2					41.5				
42	70.5					55.7					38.6				
46	67.6	80.9 / 46.2				52.7					36.0				
50	64.8	77.1				50.2	54.3 / 52.2				33.8				
54	58.8	73.8				48.3	52.9				31.9				
58	50.3	71.4				46.8	50.2				30.3	33.9 / 58.2			
60	46.2	67.7	66.1 / 62.7			46.2	49.1				29.6	32.9			
64	37.6	59.1	65.5			44.5	47.0				28.4	31.0			
68	37.3 / 64.1	51.8	63.5			40.1	45.4	47.2 / 70.4			27.5	29.4			
72		45.3	59.4			34.4	43.0	46.4			26.8	28.0			
76		42.5 / 73.4	51.9	50.4 / 77.4		28.6 / 75.7	38.5	44.7			26.4	26.9	28.2 / 78.1		
80			42.4	48.3			34.6	43.4			24.9	26.0	27.6		
84			39.0 / 81.5	45.3			31.0	41.8	41.3 / 86.6		23.5	25.4	26.4		
88				39.9	38.4 / 89.7		30.0 / 85.0	35.7	40.9		21.1 / 87.2	25.1	25.4		
92				37.0 / 88.9	37.1			30.1	39.2			25.0	24.6	24.4 / 95.7	
96					35.4 / 95.4			28.6 / 93.1	36.9			22.7	24.2	24.3	
100									30.0	31.8 / 100.1		22.4 / 96.6	24.2	23.1	
104									29.0 / 100.5	30.1			22.8	22.7	
108										28.8 / 107.0			22.3 / 104.6	22.6	19.7 / 110.5
112														22.6	19.6
116														22.6 / 112.1	19.6
118.6															19.6


 SL-B Luffing Jib Capacities

 60 m  160 t  62 t  260 t / 16 m w / o Heavy head sheave block

(ton)

 (m)	24					36					48				
	86°	75°	65°	55°	45°	86°	75°	65°	55°	45°	86°	75°	65°	55°	45°
15.5	153.7														
16	152.6														
18	148.1					116.2 / 19.5									
20	143.2					115.5									
22	138.7					112.4					85.8 / 23.4				
24	134.7					109.3					85.2				
26	122.0					106.1					83.1				
28	110.7					103.1					81.1				
30	100.2	144.9 / 31.3				100.2					79.0				
34	98.3 / 30.1	138.8				86.6	108.8 / 37.3				74.8				
38		108.4				75.4	107.8				70.9				
42		80.9 / 41.7	110.0 / 44.6			66.9 / 41.7	101.8				67.4	81.5 / 43.3			
46			106.1				85.0				62.6	78.9			
50			93.7				68.7	89.2 / 52.3			56.7	74.8			
54			75.6 / 51.8	77.4 / 56.7			57.1 / 53.3	85.9			51.8 / 53.3	70.6			
58				75.4				78.9				59.8			
60				72.4				68.4				55.2	72.9		
64				64.9 / 61.0	58.7 / 67.1			51.9 / 63.4	62.3 / 65.9			47.0	67.3		
68					57.7				60.0			45.1 / 64.9	62.4		
72					56.6 / 69.1				49.9				49.7	50.1 / 75.1	
76									46.2 / 72.6	46.8 / 77.4			41.4 / 74.9	49.3	
80										44.9				46.2	
84										44.4 / 80.7				37.0	36.8 / 87.8
88														36.2 / 84.2	36.7
92.3															34.4

(ton)

 (m)	60					72					84				
	86°	75°	65°	55°	45°	86°	75°	65°	55°	45°	86°	75°	65°	55°	45°
26	66.6 / 27.3														
28	66.1														
30	64.7					52.5 / 31.2									
34	61.9					51.2					38.2 / 35.1				
38	59.1					49.3					37.3				
42	56.4					47.4					35.8				
46	53.8	64.4 / 49.3				45.1					33.2				
50	50.2	64.0				42.8					31.0				
54	46.0	61.4				40.9	46.8 / 55.3				29.2				
58	42.5	58.5				39.4	44.9				27.5				
60	40.9	54.5				38.8	43.7				26.8	30.8 / 61.3			
64	38.0	47.5	59.4 / 67.8			36.2	41.5				25.6	29.4			
68	37.4 / 64.9	41.7	59.2			34.0	39.7				24.6	27.7			
72		36.7	54.9			32.0	38.3	40.8 / 75.5			23.8	26.1			
76		32.2	46.1			29.9	35.6	40.5			23.4	24.8			
80		31.6 / 76.5	38.5			29.0 / 76.5	32.1	38.8			23.3	23.7	25.3 / 83.2		
84			32.0	42.2 / 84.2			28.9	37.5			22.6	22.9	25.1		
88			28.1 / 86.5	39.7			25.9	33.7			21.6	22.3	23.8		
92				37.1			25.9 / 88.1	29.1	33.5 / 93.4		21.6 / 88.1	22.0	22.8		
96				28.4 / 95.8	30.3 / 98.2			24.9	32.9			20.3	21.9		
100					29.5			22.8 / 98.1	30.9			18.6 / 99.7	21.4	20.1 / 102.6	
104					27.9 / 103.9				29.1				21.2	19.8	
108									24.0 / 107.3	23.7 / 108.6			20.0	19.2	
112										22.5			18.9 / 109.7	18.8	
116										21.4 / 115.5				18.7	17.6 / 119.0
120														18.3 / 118.9	17.5
124															16.8
127.1															15.9



SL-B Luffing Jib Capacities


72 m 160 t 62 t 260 t / 16 m w / o Heavy head sheave block





(ton)

(m)	36					48					60				
	86°	75°	65°	55°	45°	86°	75°	65°	55°	45°	86°	75°	65°	55°	45°
20.3	83.8														
22	82.0														
24	79.9					67.1 / 24.2									
26	77.5					65.7									
28	75.3					64.2					50.1 / 28.1				
30	73.2					62.6					49.1				
34	63.7					59.4					47.0				
38	55.5	79.6 / 40.4				56.5					44.8				
42	48.9	78.0				50.9					42.7				
46	47.9 / 42.6	73.1				45.8	62.7 / 46.4				40.5				
50		59.8				41.5	60.4				36.9	47.5 / 52.4			
54		49.0	72.4 / 57.4			37.7	57.3				33.9	46.7			
58		43.0 / 56.4	71.9			37.7 / 54.1	49.3				31.3	44.8			
60			69.8				45.6				30.2	43.8			
64			54.8				39.2	55.8 / 65.1			28.0	39.0			
68			41.3				33.4	50.0			27.2 / 65.7	34.4			
72			39.9 / 68.4	51.2 / 72.7				41.6				30.5	44.0 / 72.8		
76				48.4				33.9				27.0	39.9		
80				37.3 / 79.5				27.0	41.5 / 81.9			24.1 / 79.6	34.6		
84					36.4 / 85.9				40.1				29.5		
88					35.2				37.4				25.0	33.8 / 91.1	
92					34.5 / 89.2				29.6 / 91.0				21.1 / 91.6	33.3	
96										28.6 / 96.3				31.3	
100										27.0				25.7	
104										26.7 / 100.8				21.7 / 102.6	22.3 / 106.7
108															21.9
112.4															20.4


(ton)

(m)	72					84				
	86°	75°	65°	55°	45°	86°	75°	65°	55°	45°
32	40.4									
34	39.6					29.6 / 35.9				
38	38.2					29.1				
42	36.6					28.1				
46	35.1					27.1				
50	33.7					26.0				
54	32.3					24.3				
58	31.1	37.7 / 58.4				22.8				
60	30.5	36.7				22.1				
64	29.5	34.5				21.0	26.2 / 64.4			
68	27.7	32.7				20.0	24.6			
72	26.1	31.1				19.3	23.1			
76	24.7	29.9				18.8	21.7			
80	24.2 / 77.3	27.6	32.6 / 80.5			18.6	20.6			
84		25.0	31.3			17.8	19.7			
88		22.7	29.0			17.1	18.9	20.4 / 88.3		
92		20.9 / 91.2	25.6			16.9 / 88.9	18.5	19.4		
96			22.5				17.3	18.4		
100			19.6	27.0 / 100.3			16.0	17.6		
104			17.4 / 103.2	25.4			15.0 / 102.8	17.1		
108				23.9				16.8	15.7 / 109.5	
112				20.3				15.6	15.3	
116				18.1 / 114.2	16.7 / 117.1			14.3 / 114.8	14.8	
120					15.9				14.5	
124					14.9				14.4	11.7 / 127.5
128									14.4 / 125.8	11.6
132										10.7
135.5										10.0


 SL-B Luffing Jib Capacities

 84 m  160 t  62 t  260 t / 16 m w / o Heavy head sheave block

(ton)

 (m)	48					60				
	86°	75°	65°	55°	45°	86°	75°	65°	55°	45°
25	48.6									
26	48.1									
28	47.0					37.2 / 28.9				
30	46.0					36.8				
34	43.5					35.3				
38	41.3					33.6				
42	37.4					32.0				
46	33.7	45.0 / 49.5				30.5				
50	30.6	44.8				28.8				
54	28.0	42.9				26.6	34.5 / 55.5			
58	27.3 / 55.0	38.0				24.6	33.7			
60		35.5				23.7	33.0			
64		30.9				22.1	30.4			
68		26.8	37.8 / 70.2			21.2 / 66.6	27.2			
72		23.9 / 71.1	35.9				24.4			
76			31.2				21.8	30.8 / 77.9		
80			26.4				19.6	29.3		
84			21.8				18.1 / 82.7	26.3		
88			20.5 / 85.1	31.7 / 88.8				23.1		
92				28.4				20.1		
96				23.1				17.1	25.8/98.0	
100				20.3 / 97.9				16.6 / 96.7	24.5	
104					20.3 / 104.8				21.4	
108					19.3				17.9	
112					18.9 / 109.3				16.4 / 109.5	15.1 / 115.2
116										14.9
120										13.9
120.9										13.7

(ton)

 (m)	72					84			
	86°	75°	65°	55°	45°	86°	75°	65°	55°
32	30.3 / 32.8								
34	30.0					25.3 / 36.8			
38	28.8					25.0			
42	27.6					24.1			
46	26.4					23.2			
50	25.2					22.3			
54	23.4					21.4			
58	21.8	27.9 / 61.5				20.4			
60	21.1	27.9 / 61.5				19.8			
64	19.8	27.2				18.6	22.1 / 67.5		
68	18.6	25.9				17.7	21.9		
72	17.5	23.7				16.9	20.4		
76	16.6	21.7				16.3	19.0		
80	16.1 / 78.2	19.8				15.6	17.8		
84		18.2	25.5 / 85.6			14.9	16.8		
88		16.7	24.3			14.3	16.0		
92		15.2	22.3			14.0 / 89.8	15.3	17.2 / 93.3	
96		14.4 / 94.3	20.2				14.9	16.4	
100			18.2				14.0	15.5	
104			16.2	20.4 / 107.2			13.0	14.7	
108			14.2	20.1			12.5 / 105.9	14.1	
112			14.1 / 108.3	18.8				13.7	
116				16.9				13.5	15.1 / 116.4
120				14.5				12.4 / 119.9	14.2
124				13.8 / 121.1	10.4 / 125.6				13.2
128					9.9				12.2
132					9.1				11.3
134					9.0 / 132.4				11.1 / 132.7



Notes

- Capacities included in these charts are the maximum allowable, and are based on machine standing level on firm supporting surface under ideal job conditions.
- Capacities are in metric tons, and are rated in accordance with European EN13 000 Standards in terms of machine stability and structural strength limitations.; each rated load capacity is based on machine's structural strength limitations.
- Capacities are based on freely suspended loads and make no allowance for such factors as the effect of wind, sudden stopping of loads, supporting surface conditions, and operating speeds. Operator must reduce load ratings to take such conditions into account. Deduction from rated capacities must be made for weight of hook block, weighted ball/hook, sling, spreader bar, or other suspended gear.
- The maximum rated load of the auxiliary sheave is the value remaining after the 1.3 ton mass of the auxiliary sheave and the mass of the "luffing jib hook" attached to the "luffing jib" are deducted from the maximum rated load of the "Luffing Jib Capacities." However, the maximum rated load of the auxiliary sheave is limited to 30 tons. The operating range of the auxiliary sheave is the range that has the maximum rated load of the luffing jib hook.
- If the auxiliary sheave is attached, the maximum rated load of the "luffing jib hook" is the value remaining after the 1.3 ton mass of the auxiliary sheave and the mass of the auxiliary hook attached to the auxiliary sheave are deducted from the maximum rated load of the "Luffing Jib Capacities."
- If the heavy head sheave block is attached, the maximum rated load of the "luffing jib hook" is the value remaining after the 3.0 ton mass of the heavy head sheave block and the mass of the "luffing boom hook" attached to the heavy head sheave block are deducted from the "Luffing jib Maximum Rated Load" value.
- The "working radius" is the horizontal distance from the slewing center to the center of gravity of a lifted load
- Luffing Boom and Luffing Jib tilt angle ranges are according to the working range diagram.
- The chart below shows the number of reeled lines and the maximum rated loads. (When the wire rope length is 800 m.)

Hook Capacity (ton)		Hook Weight (ton)											
			11 X 2Falls	10 X 2Falls	9 X 2Falls	8 X 2Falls	7 X 2Falls	6 X 2Falls	5 X 2Falls				
320	Double-Reeling	7.9	-	-	250	235	208	180	151				
			11 Falls	10 Falls	9 Falls	8 Falls	7 Falls	6 Falls	5 Falls	4 Falls	3 Falls	2 Falls	1 Fall
280	Single-Reeling	7.0	157	144	131	118	104	-	-	-	-	-	-
160	Single-Reeling	3.9	157	144	131	118	104	90	76	-	-	-	-
65	Single-Reeling	* 3.0 / 2.0	-	-	-	-	-	-	65	61	46	31	-
15	Single-Reeling	1.0	-	-	-	-	-	-	-	-	-	-	-

* ; With auxiliary weights / Without auxiliary weights

- The chart below shows the operable windings based on the length of each boom.

Tower Length (m)		36										
Hook Capacity (ton) / Jib Length (m)		24	30	36	42	48	54	60	66	72	78	84
320	Double-Reeling	Max.	9 x 2	9 x 2	8 x 2	6 x 2	5 x 2	-	-	-	-	-
		Min.	5 x 2	5 x 2	-	-	-	-	-	-	-	-
280	Single-Reeling	Max.	11	11	10	9	8	8	7	6	-	-
		Min.	6	6	6	6	6	6	6	6	-	-
160	Single-Reeling	Max.	11	11	10	9	8	8	7	6	5	-
		Min.	5	5	5	5	5	5	5	5	5	-
65	Single-Reeling	Max.	5	5	5	5	5	5	5	5	4	4
		Min.	2	2	2	2	2	2	2	2	2	2
15	Single-Reeling		-	-	-	-	-	-	-	-	-	-

Tower Length (m)		48										
Hook Capacity (ton) / Jib Length (m)		24	30	36	42	48	54	60	66	72	78	84
320	Double-Reeling	Max.	8 x 2	7 x 2	6 x 2	5 x 2	5 x 2	5 x 2	-	-	-	-
		Min.	5 x 2	5 x 2	5 x 2	5 x 2	5 x 2	5 x 2	-	-	-	-
280	Single-Reeling	Max.	10	9	8	8	7	6	6	-	-	-
		Min.	6	6	6	6	6	6	6	-	-	-
160	Single-Reeling	Max.	10	9	8	8	7	7	6	5	5	-
		Min.	5	5	5	5	5	5	5	5	5	-
65	Single-Reeling	Max.	5	5	5	5	5	5	5	5	4	3
		Min.	2	2	2	2	2	2	2	2	2	2
15	Single-Reeling		-	-	-	-	-	-	-	-	-	-

Notes

Tower Length (m)		60										
Hook Capacity (ton) / Jib Length (m)		24	30	36	42	48	54	60	66	72	78	84
320	Double-Reeling	Max.	6 x 2	5 x 2	5 x 2	-	-	-	-	-	-	-
		Min.	5 x 2	5 x 2	5 x 2	-	-	-	-	-	-	-
280	Single-Reeling	Max.	8	8	7	7	6	-	-	-	-	-
		Min.	6	6	6	6	6	-	-	-	-	-
160	Single-Reeling	Max.	8	8	7	6	6	5	5	-	-	-
		Min.	5	5	5	5	5	5	5	-	-	-
65	Single-Reeling	Max.	5	5	5	5	5	5	5	4	4	3
		Min.	2	2	2	2	2	2	2	2	2	2
15	Single-Reeling		-	-	-	-	-	-	-	-	-	-

Tower Length (m)		72								
Hook Capacity (ton) / Jib Length (m)		36	42	48	54	60	66	72	78	84
280	Single-Reeling	Max.	6	-	-	-	-	-	-	-
		Min.	6	-	-	-	-	-	-	-
160	Single-Reeling	Max.	6	5	5	-	-	-	-	-
		Min.	5	5	5	-	-	-	-	-
65	Single-Reeling	Max.	5	5	5	4	4	3	3	3
		Min.	2	2	2	2	2	2	2	2
15	Single-Reeling		-	-	-	-	-	-	-	-

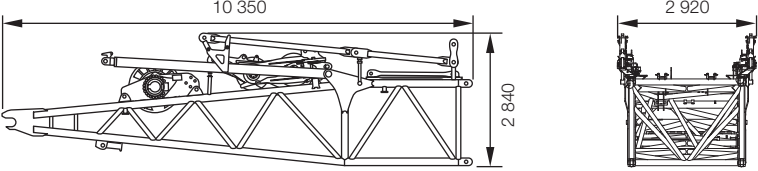
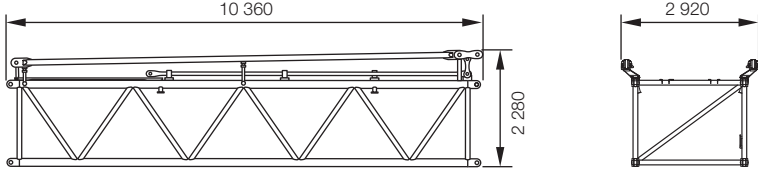
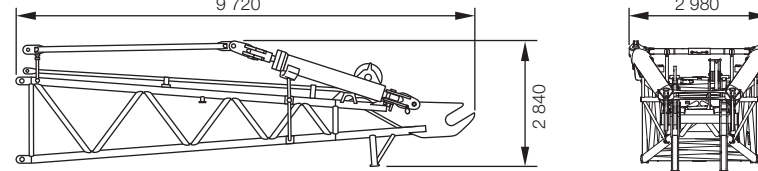
Tower Length (m)		84							
Hook Capacity (ton) / Jib Length (m)		48	54	60	66	72	78	84	
65	Single-Reeling	Max.	4	3	3	3	2	2	2
		Min.	2	2	2	2	2	2	2
15	Single-Reeling		-	-	-	-	-	-	

11. If the total mass of the hook mass and the mass of all rigging components is lighter than the mass indicated on this chart, the hook may not lower even when a lowering operation is performed.

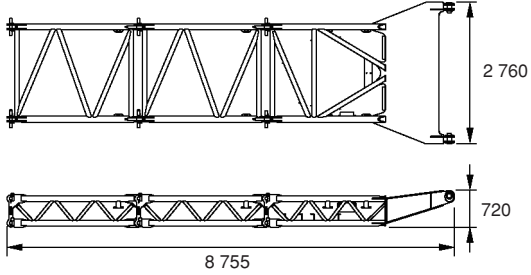
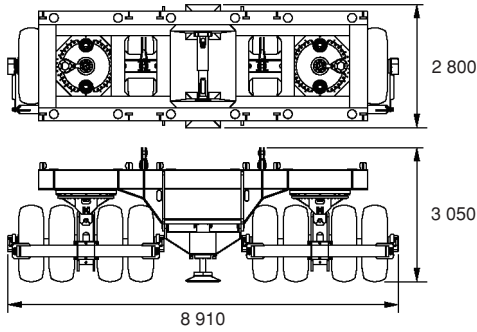
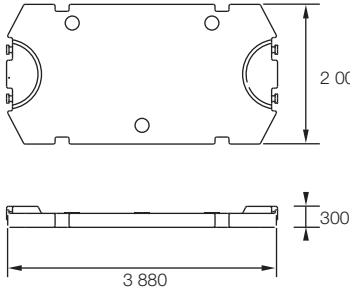
Please select a hook that can be lowered based on the boom length and number of windings.

Tower Length + Luffing Jib Length	1 Fall	2 Falls	3 Falls	4 Falls	5 Falls	6 Falls	7 Falls	8 Falls	9 Falls	10 Falls	11 Falls
60 m	-	2.0	2.0	2.0	2.0	3.9	3.9	3.9	3.9	3.9	4.1
66 m	-	2.0	2.0	2.0	2.0	3.9	3.9	3.9	3.9	4.0	4.5
72 m	-	2.0	2.0	2.0	2.1	3.9	3.9	3.9	3.9	4.4	-
78 m	-	2.0	2.0	2.0	2.3	3.9	3.9	3.9	4.2	-	-
84 m	-	2.0	2.0	2.0	2.4	3.9	3.9	4.0	-	-	-
90 m	-	2.0	2.0	2.1	2.6	3.9	3.9	4.3	-	-	-
96 m	-	2.0	2.0	2.2	2.8	3.9	4.0	-	-	-	-
102 m	-	2.0	2.0	2.3	3.0	3.9	4.2	-	-	-	-
108 m	-	2.0	2.0	2.5	3.1	3.9	-	-	-	-	-
114 m	-	2.0	2.0	2.6	3.3	-	-	-	-	-	-
120 m	-	2.0	2.0	2.8	3.5	-	-	-	-	-	-
126 m	-	2.0	2.1	2.9	-	-	-	-	-	-	-
132 m	-	2.0	2.3	3.0	-	-	-	-	-	-	-
138 m	-	2.0	2.4	-	-	-	-	-	-	-	-
144 m	-	2.0	2.5	-	-	-	-	-	-	-	-
150 m	-	2.0	2.6	-	-	-	-	-	-	-	-
156 m	-	2.0	2.7	-	-	-	-	-	-	-	-
162 m	-	2.0	-	-	-	-	-	-	-	-	-
168 m	-	2.0	-	-	-	-	-	-	-	-	-

SL-N Long Mast Attachments

Description	Q'ty	Dimensions (mm)	Mass (kg)
<p>MB 10 Long Mast Base Section With W5 winch With Bail / Bridle Assy With Mast pendants</p>	1		17 100
<p>MB 10 Long Mast Extension With Connecting Pin With Mast pendants</p>	1		4 500
<p>MT 9 Long Mast Top Section With Connecting Pin With Mast pendants</p>	1		8 300

SL-B Attachments

Description	Q'ty	Dimensions (mm)	Mass (kg)
Connector Beam	1		3 050
Buggy	1		30 000
Eternal Counterweight	22		10 000

- We are constantly improving our products and therefore reserve the right to change designs and specifications without notice.
- Units in this specification are shown under International System of Units; the figures in parenthesis are under Gravitational System of Units as old one.

Sumitomo Heavy Industries Construction Cranes Co., Ltd.

9-3, Higashi-Ueno 6-chome, Taito-ku, Tokyo 110-0015, Japan
Phone: 81-3-3845-1387 Facsimile: 81-3-3845-1394
<http://www.hsc-cranes.com>