

SCX1500A-3

Stage IV / Tier 4 f

SCX 1500A-3

HYDRAULIC CRAWLER CRANE

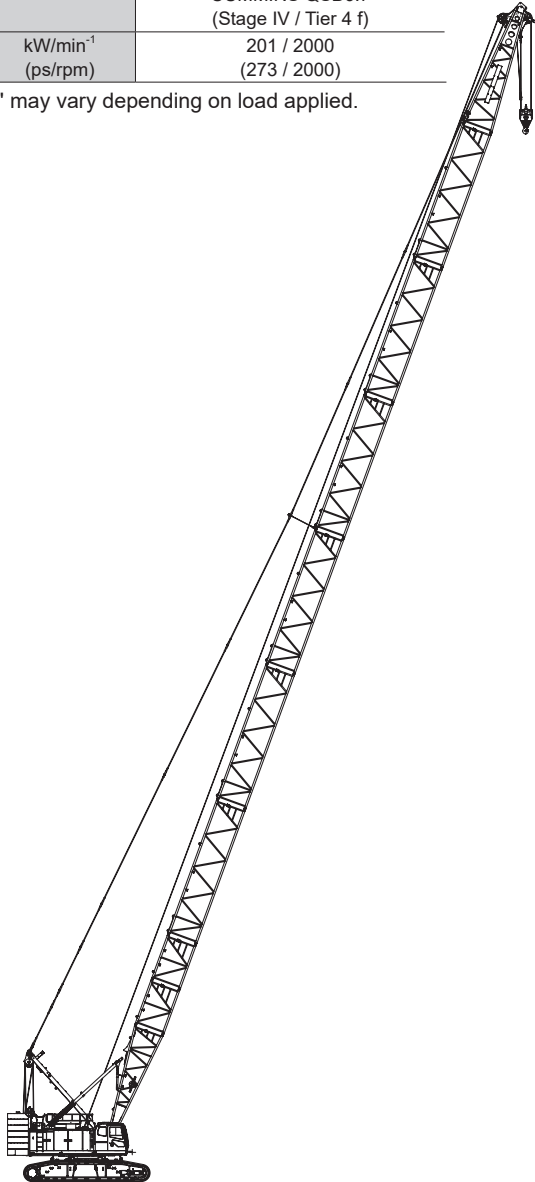
**Hoist Rope 28mm
13.5t-Rated Line Pull**



Variation of The Attachment

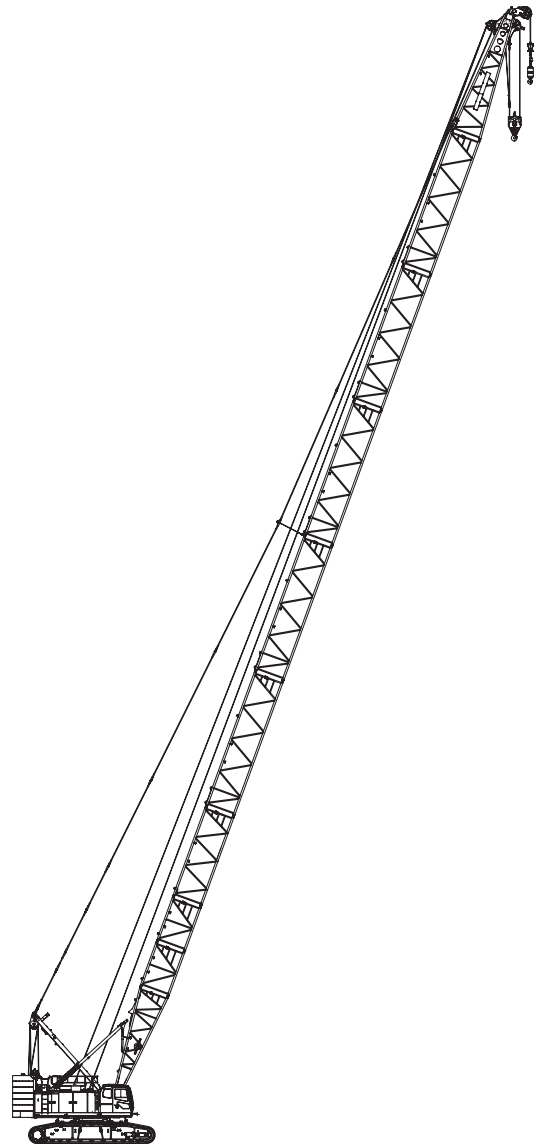
| | | | |
|---------------------------|--|-------|---|
| Line Speed * | Front / Rear Winch (Rated with 13.5 t load) | m/min | 110 (45) |
| | Third Winch (Rated with 12 t load) | | 95 (30) |
| | Boom Hoist Winch | | 44 |
| Swing Speed | min ⁻¹ (rpm) | | 1.8 |
| Travel Speed High / Low * | km/h | | 1.5 / 0.9 |
| Gradeability | % (Degree) | | 30 (17) |
| Engine Model | | | CUMMINS QSB6.7 (Stage IV / Tier 4 f) |
| Engine Rated Output Power | kW/min ⁻¹ (ps/rpm) | | 201 / 2000 (273 / 2000) |

Note : Speeds marked with "*" may vary depending on load applied.



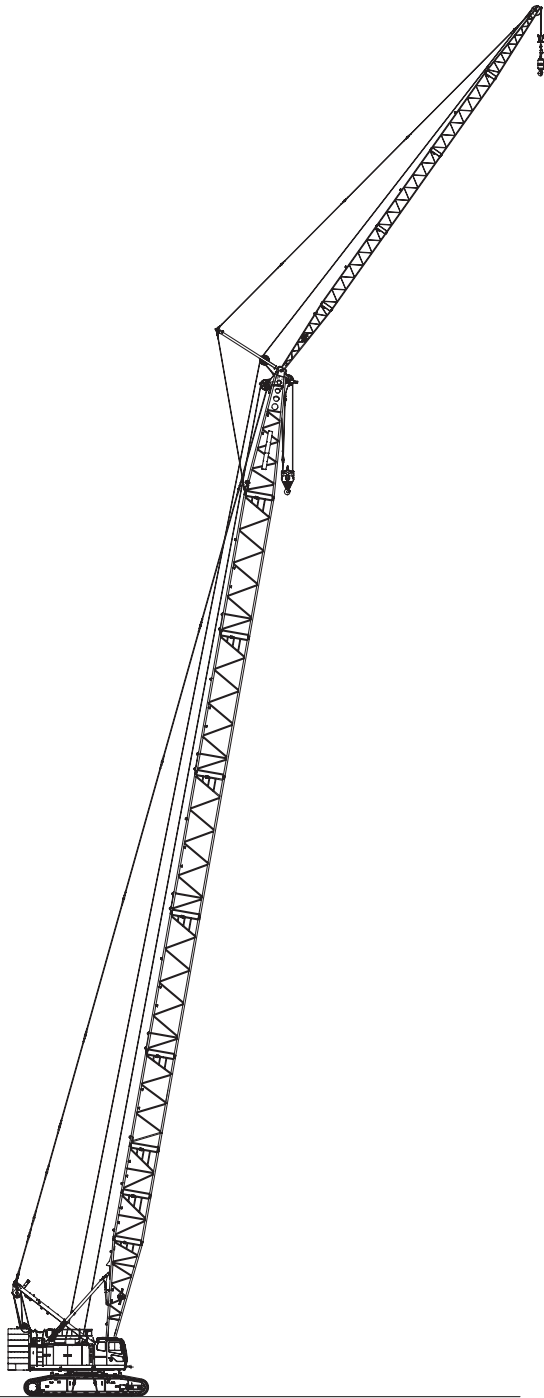
**Crane Specification
(Boom Longest Length)**

| | | |
|--------------------------|----------------------------|---|
| Boom Length | m | 15 to 75 |
| Ground Contact Pressure | kPa (kgf/cm ²) | 110 (1.12) (Boom longest length with 35 t hook) |
| Overall Operating Weight | t | Approximately 148 (Boom longest length with 35 t hook) |



**Crane Specification
(Boom Longest Length with Aux. Sheave)**

| | | |
|--------------------------|----------------------------|---|
| Boom Length | m | 15 to 72 |
| Ground Contact Pressure | kPa (kgf/cm ²) | 111 (1.13) (Boom longest length + 35 t aux. sheave + 13.5 t hook attached) |
| Overall Operating Weight | t | Approximately 149 (Boom longest length + 35 t aux. sheave + 13.5 t hook attached) |



**Crane Specification
(Boom Longest Length with Crane Jib)**

| | | |
|---------------------------------|----------------------------|--|
| Boom Length | m | 24 to 63 |
| Crane Jib Length | m | 10 to 28 |
| Boom + Crane Jib Longest Length | m | 63 + 28 |
| Ground Contact Pressure | kPa (kgf/cm ²) | 111 (1.13) (Boom + crane jib longest length 35 t + 13.5 t hook attached) |
| Overall Operating Weight | t | Approximately 149 (Boom + crane jib longest length 35 t + 13.5 t hook attached) |

VARIATION

| | |
|------------------------------------|----------|
| Variation of The Attachment | 2 |
|------------------------------------|----------|

SPECIFICATIONS

| | |
|-----------------------|----------|
| Specifications | 6 |
|-----------------------|----------|

| | |
|-----------------------------|----------|
| Crane Specifications | 7 |
|-----------------------------|----------|

| | |
|--|----------|
| Dimensions and Specifications | 7 |
|--|----------|

| | |
|--|----------|
| Boom and Crane Jib Configurations | 8 |
|--|----------|

| | |
|---|----------|
| Combination of Boom and Crane Jib (Offset Angle 10° and 30°) | 9 |
|---|----------|

| | |
|-----------------------------|-----------|
| Working Ranges | 10 |
|-----------------------------|-----------|

| | |
|-------------------|----|
| ■ Main Boom | 10 |
|-------------------|----|

| | |
|---------------------|----|
| ■ Aux. Sheave | 11 |
|---------------------|----|

| | |
|-------------------|----|
| ■ Crane Jib | 12 |
|-------------------|----|

| | |
|-------------------------------------|-----------|
| Gross Rated Load Table | 13 |
|-------------------------------------|-----------|

| | |
|-------------------|----|
| ■ Main Boom | 13 |
|-------------------|----|

| | |
|---------------------|----|
| ■ Aux. Sheave | 14 |
|---------------------|----|

| | |
|-----------------------------------|----|
| ■ Main Boom with Aux. Sheave..... | 15 |
|-----------------------------------|----|

| | |
|-------------------|----|
| ■ Crane Jib | 16 |
|-------------------|----|

| | |
|----------------------------------|----|
| ■ Main Boom with Crane Jib | 23 |
|----------------------------------|----|

| | |
|---------------------------------------|----|
| ■ Main Boom (Using Third Winch) | 30 |
|---------------------------------------|----|

| | |
|---|----|
| ■ Main Boom with Aux. Sheave (Using Third Winch)..... | 31 |
|---|----|

| | |
|---------------------------------|-----------|
| Clamshell Specifications | 32 |
|---------------------------------|-----------|

| | |
|--|-----------|
| Dimensions and Specifications | 32 |
|--|-----------|

| | |
|------------------------|----|
| ■ Working Ranges | 32 |
|------------------------|----|

| | |
|------------------------|----|
| ■ Specifications | 32 |
|------------------------|----|

| | |
|-------------------------|----|
| ■ Clamshell Bucket..... | 32 |
|-------------------------|----|

| | |
|-------------------------------|----|
| ■ Gross Rated Load Table..... | 32 |
|-------------------------------|----|

TECHNICAL DATA

| | |
|---|-----------|
| Weights and Dimensions of Disassembled Units | 33 |
| Weights and Dimensions List | 33 |
| Equipment List | 38 |
| Standard and Optional Equipment | 38 |

Specifications



Engine

| | |
|--------------------|---|
| Model | CUMMINS QSB6.7 |
| Type | 4-cycle, Water-cooled, Direct injection, Turbo-charged, Diesel engine |
| Displacement | 6.7 liters |
| Rated Output | 201 kW / 2,000 min ⁻¹ (273 ps / 2,000 rpm) |
| Fuel Tank Capacity | 450 liters |
| Notes | Engine meets Stage IV / Tier 4 f of engine exhaust gas emission regulations in USA, Europe, and Japan. Engine rated horsepower is based on international rating formula that includes engine alternator and without fan. |



Control

| | |
|----------------------|--|
| Control System | Main actuators are actuated by main hydraulic system controlled with pilot hydraulic system. Safety devices are securely operated by combined various electronic control with hydraulic system. Working speed can be precisely controlled according to control lever stroke and control dials depending on work. |
| Control Levers | Designed and positioned based on ergonomics. Armchair lever type is standard. Cross operation lever type and front lever type are available as option. |
| Display Panel Design | 8 inches size. Located to check work state easily without disturbing the view of the operator. |



Hydraulic System

| | | | |
|-----------------------------|-----------------|------------------|--|
| Hydraulic Oil Tank Capacity | 320 liters | | |
| Hydraulic Pump Capacity | Max. | 31.4 MPa | |
| | P1 | 266 liters / min | for Front, Rear , boom hoist winch and travel |
| | P2 | 266 liters / min | for Front, Rear , third winch and travel |
| | P3 | 160 liters / min | for Swing , Jack and Sideframe connect |
| | P4 | 41 liters / min | Pilot control, Brake cooling, Reeving tagline, etc |
| | P5 | 41 liters / min | |
| | P6 | 41 liters / min | |
| P7 | 32 liters / min | | |



Winch

| Front and Rear Winch | | | |
|----------------------|--|--------|-----------------------|
| Winch | Front | Rear | |
| Rope Diameter | 28 mm | 28 mm | |
| Rope Length | Standard | 255 m | 160 m for Aux. sheave |
| | Winding Capacity | - | 195 m for Crane jib |
| Line Pull | Rated | 132 kN | 132 kN |
| Standard Equipment | Free fall winch with brake controled by pedal operation. High-speed winching is possible by ECO winch mode with low engine speed under light loads. | | |
| Boom Hoist Winch | | | |
| Rope Diameter | 22.4 mm | | |
| Rope Length | Incorporated | 195 m | |

Hydraulic motor with multi-disc brakes.

Third Winch(Optional)

| | | |
|---------------|------------------|--------|
| Rope Diameter | 26 mm | |
| Rope Length | Standard | 220 m |
| | Winding Capacity | 220 m |
| Line Pull | Rated | 117 kN |

Free fall winch with brake controled by pedal operation.



Swing System

Consisted of 2 hydraulic motors with reduction gear and multi-disc brakes and a swing bearing which has inner tooth. Optional swing brake pedal enables operator to control swing precisely.



Mast

Mast is box structure. Easy assemble for front attachment.



Counter Weight

| | | |
|--------------|-----------------------|----------|
| Upper Weight | Total Weight | 56.4 ton |
| | 9.1 ton Base Weight | 1 piece |
| | 8.1 ton Insert Weight | 5 pieces |
| Lower Weight | 6.8 ton Top Weight | 1 piece |
| | Total Weight | 9 ton |
| | 4.5 ton Lower Weight | 2 pieces |



Carbody Frame

Welded steel construction with jack up develope and crawler sideframe connect cylinders.

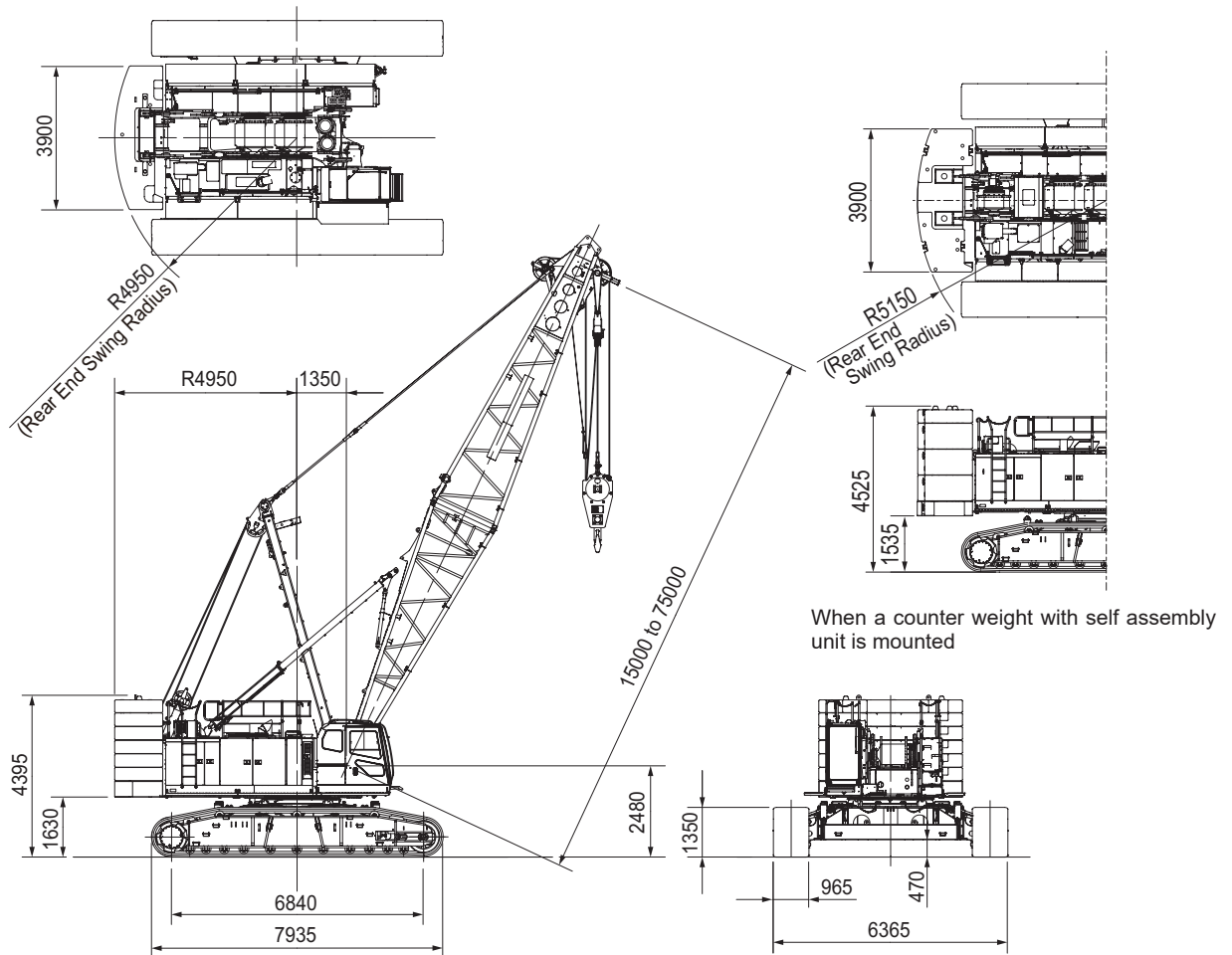


Crawler Sideframe

| | | |
|---------------|---|-----------------------------------|
| Frame | Welded steel box construction. Hook on and joint pin design for crawler sideframe connection to carbody frame. | |
| Shoe | Cast iron 965mm width flat shoe each side. | |
| Upper Roller | 5 pieces each side. | |
| | Double flange type : 3 pieces Single flange type : 2 pieces | |
| Lower Roller | 11 pieces each side. Forging heat treated steel with double flange type. 2 plane bearing with floating seal for lifetime lubrication. | |
| Travel Device | 1 peace each side. | |
| | Hydraulic travel device (Hydrayulic motor and reducer) | |
| | Travel speed (Gradability : 30%) | High : 1.5 km/h Low : 0.9 km/h |

Crane Specifications

Dimensions and Specifications



Crane Specifications

| | | |
|------------------------------------|----------------------------|---|
| Max. Lifting Load × Working Radius | t × m | 150×4.5 |
| Basic Boom Length | m | 15 |
| Max. Boom Length | m | 75 |
| Max. Crane Jib Length | m | 10 to 28 |
| Max. Boom + Jib Length | m | 63 + 28 |
| Ground Contact Pressure | kPa (kgf/cm ²) | 104 (1.06) (w / Basic Boom, 150 t Hook) |
| Overall Operating Weight | t | Approximately 140 (w / Basic Boom, 150 t Hook) |

Hook Weight

| | |
|--------|----------|
| 150 t | 2,350 kg |
| 80 t | 1,350 kg |
| 35 t | 900 kg |
| 13.5 t | 620 kg |

NOTE : Data is expressed in SI units followed by conventional units in ().

Boom and Crane Jib Configurations

| Boom (1/2) | |
|-----------------|---------------------|
| Boom Length (m) | Boom Configurations |
| 15 | |
| 18 | |
| 21 | |
| 24 | |
| 27 | |
| 30 | |
| 33 | |
| 36 | |
| 39 | |
| 42 | |
| 45 | |

| Boom (2/2) | |
|-----------------|---------------------|
| Boom Length (m) | Boom Configurations |
| 48 | |
| 51 | |
| 54 | |
| 57 | |
| 60 | |
| 63 | |
| 66 | |
| 69 | |
| 72 | |
| 75 | |

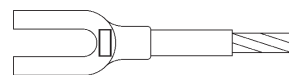
▽ indicates the midpoint pendant rope connection position.

| Aux. Sheave Installable Boom Length | | | | | | | | | | | | | | | | | | | | | |
|-------------------------------------|----|----|----|----|----|----|----|----|----|----|----|----|----|----|----|----|----|----|----|----|----|
| Boom Length (m) | 15 | 18 | 21 | 24 | 27 | 30 | 33 | 36 | 39 | 42 | 45 | 48 | 51 | 54 | 57 | 60 | 63 | 66 | 69 | 72 | 75 |
| With Aux. Sheave | ○ | ○ | ○ | ○ | ○ | ○ | ○ | ○ | ○ | ○ | ○ | ○ | ○ | ○ | ○ | ○ | ○ | ○ | ○ | ○ | × |

(○: Attachable ×: Not Attachable)

Check the pendant rope with referring to the imprints on the rope end.

| Dimensions Not Shown In The Figure | | Pendant Rope | | |
|------------------------------------|-----------------|--------------|--------------------|-----------------------|
| Symbols | Boom Length (m) | Length (m) | Rope Diameter (mm) | Imprint |
| 3 | 3 | 1.2 | 40 | □ • △ • 40 • 1.2 • C |
| 6 | 6 | 2.6 | 40 | □ • △ • 40 • 2.55 • C |
| 7.5 | 7.5 | 3 | 40 | □ • △ • 40 • 3 • C |
| 9 | 9 | 6 | 40 | □ • △ • 40 • 6 • C |
| | | 6.9 | 40 | □ • △ • 40 • 6.9 • C |
| | | 9 | 40 | □ • △ • 40 • 9 • C |



Combination of Boom and Crane Jib (Offset Angle 10° and 30°)

| Combination of Boom and Crane Jib (Offset Angle 10° and 30°) | | | | | | | | | | | | | | | | | | | | | |
|--|----|----|----|----|----|----|----|----|----|----|----|----|----|----|----|----|----|----|----|----|----|
| Boom Length (m) | 15 | 18 | 21 | 24 | 27 | 30 | 33 | 36 | 39 | 42 | 45 | 48 | 51 | 54 | 57 | 60 | 63 | 66 | 69 | 72 | 75 |
| Jib Length (m) | 10 | × | × | × | ○ | ○ | ○ | ○ | ○ | ○ | ○ | ○ | ○ | ○ | ○ | ○ | ○ | × | × | × | × |
| | 16 | × | × | × | ○ | ○ | ○ | ○ | ○ | ○ | ○ | ○ | ○ | ○ | ○ | ○ | ○ | × | × | × | × |
| | 22 | × | × | × | ○ | ○ | ○ | ○ | ○ | ○ | ○ | ○ | ○ | ○ | ○ | ○ | ○ | × | × | × | × |
| | 28 | × | × | × | ○ | ○ | ○ | ○ | ○ | ○ | ○ | ○ | ○ | ○ | ○ | ○ | ○ | × | × | × | × |

(○ : Attachable × : Not Attachable)

| Crane Jib (Offset Angle 10° and 30°) | | |
|--------------------------------------|--------------|--------------------------|
| Crane Jib Length (m) | Offset Angle | Crane Jib Configurations |
| 10 | 10° | |
| | 30° | |
| 16 | 10° | |
| | 30° | |
| 22 | 10° | |
| | 30° | |
| 28 | 10° | |
| | 30° | |

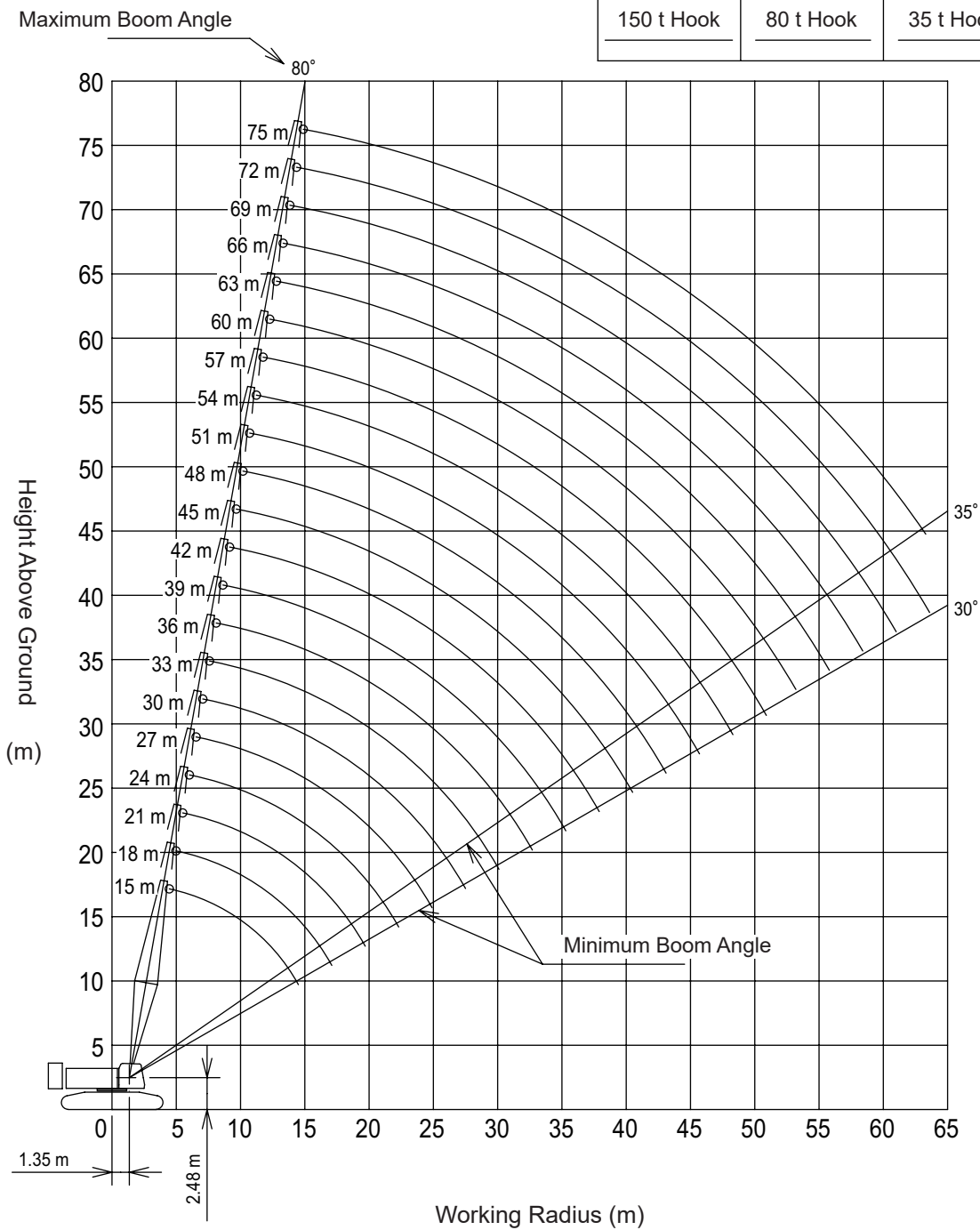
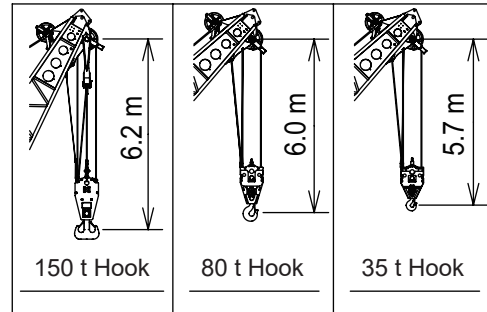
Check the pendant rope with referring to the imprints on the rope end.

| Dimensions Not Shown In The Figure | |
|------------------------------------|----------------|
| Symbols | Jib Length (m) |
| 5 | 5 |
| 6 | 6 |

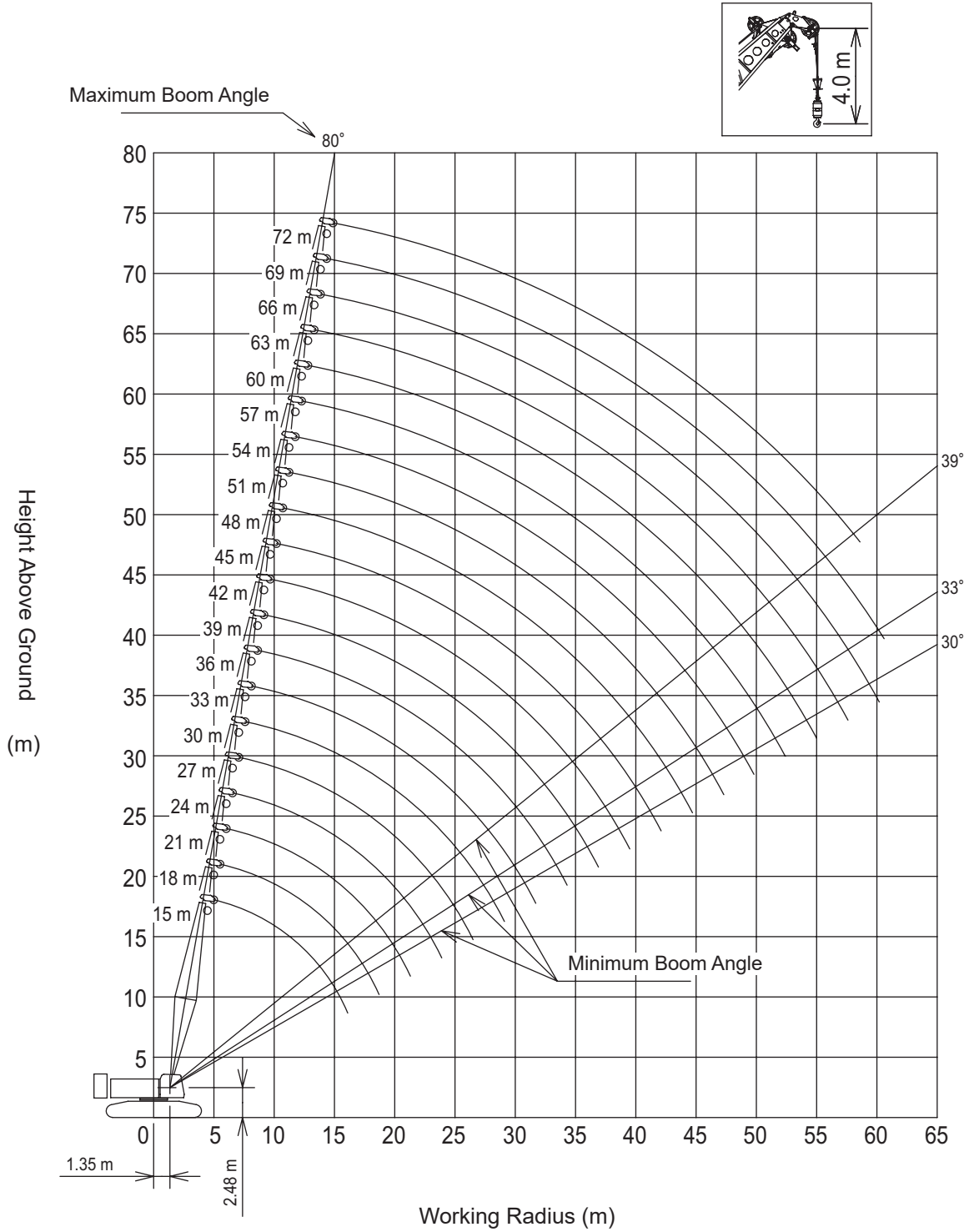
| Jib Pendant Rope | | | |
|------------------|--------------------|----------------------|--|
| Length (m) | Rope Diameter (mm) | Imprint | |
| 1.4 | 24 | □ · △ · 24 · 1.4 · S | |
| 5.7 | 24 | □ · △ · 24 · 5.7 · S | |
| 9.6 | 24 | □ · △ · 24 · 9.6 · S | |
| 10 | 26 | □ · △ · 26 · 10 · S | |

Working Ranges

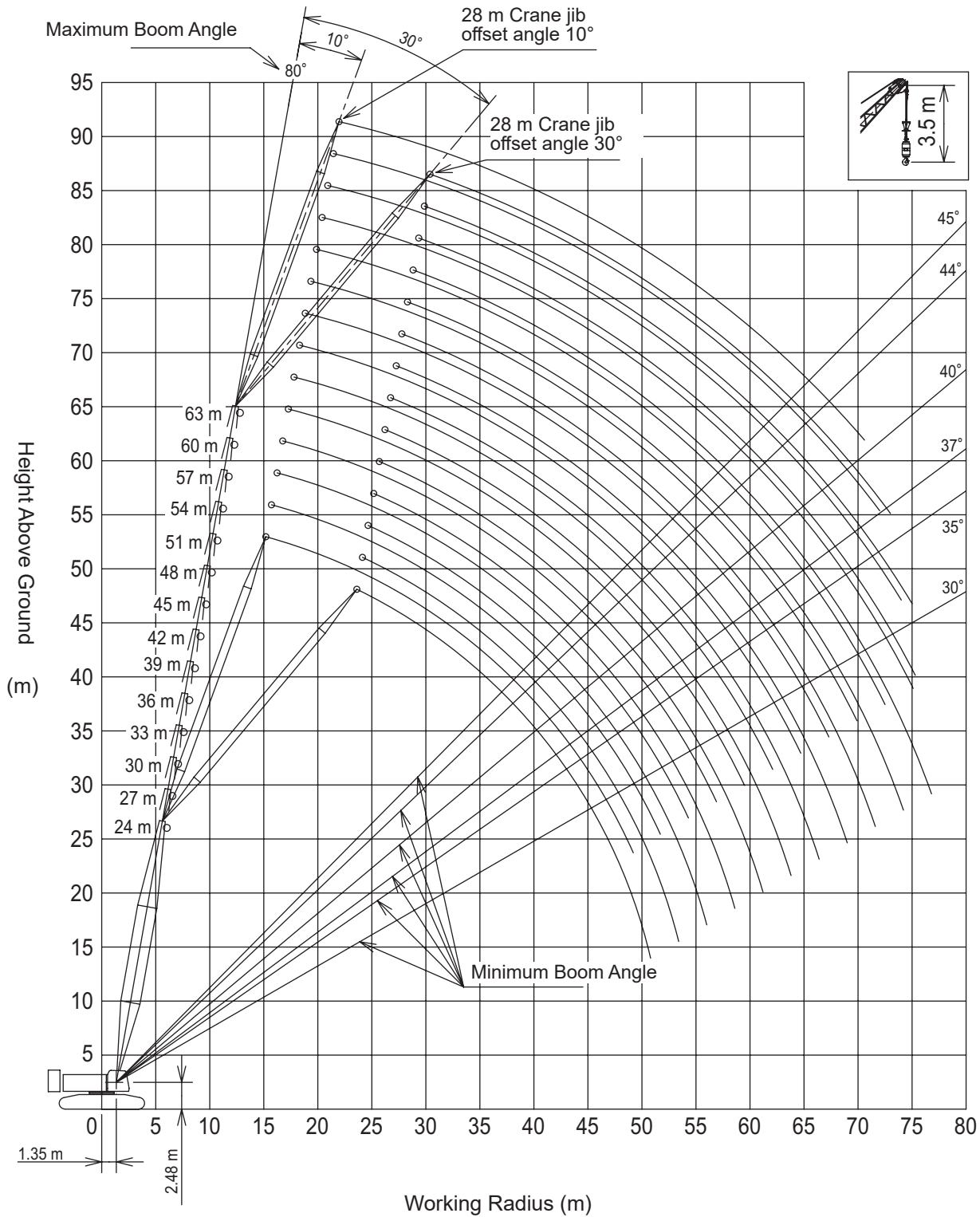
■ Main Boom



■ Aux. Sheave



■ Crane Jib



Gross Rated Load Table

Main Boom



| Working Radius(m) | Boom length (m) | | | | | | | | | | | Working Radius(m) |
|-------------------|-----------------|-----------|-----------|-----------|-----------|-----------|-----------|-----------|-----------|----------|-----------|-------------------|
| | 15 | 18 | 21 | 24 | 27 | 30 | 33 | 36 | 39 | 42 | 45 | |
| 4.5 | 150.0 | | | | | | | | | | | 4.5 |
| 5.0 | 135.2 | 132.0/5.2 | | | | | | | | | | 5.0 |
| 5.5 | 123.4 | 123.3 | 108.0/5.7 | | | | | | | | | 5.5 |
| 6.0 | 113.5 | 113.4 | 108.0 | 96.0/6.3 | 84.0/6.8 | | | | | | | 6.0 |
| 7.0 | 97.7 | 97.6 | 97.8 | 96.0 | 84.0 | 72.0/7.4 | 72.0/7.9 | | | | | 7.0 |
| 8.0 | 85.6 | 85.5 | 85.7 | 85.6 | 84.0 | 72.0 | 72.0 | 60.0/8.5 | | | | 8.0 |
| 9.0 | 73.4 | 73.5 | 73.9 | 73.9 | 73.9 | 72.0 | 72.0 | 60.0 | 60.0 | 48.0/9.6 | | 9.0 |
| 10.0 | 62.8 | 62.9 | 63.3 | 63.3 | 63.2 | 63.2 | 63.1 | 60.0 | 60.0 | 48.0 | 48.0/10.1 | 10.0 |
| 12.0 | 48.4 | 48.5 | 48.8 | 48.8 | 48.7 | 48.7 | 48.6 | 48.5 | 48.4 | 48.0 | 47.7 | 12.0 |
| 14.0 | 39.1 | 39.2 | 39.5 | 39.5 | 39.4 | 39.4 | 39.2 | 39.1 | 39.0 | 39.0 | 38.8 | 14.0 |
| 16.0 | 37.3/14.5 | 32.6 | 33.0 | 33.0 | 32.8 | 32.8 | 32.7 | 32.6 | 32.4 | 32.4 | 32.2 | 16.0 |
| 18.0 | | 29.8/17.1 | 28.1 | 28.1 | 28.0 | 28.0 | 27.8 | 27.7 | 27.6 | 27.5 | 27.3 | 18.0 |
| 20.0 | | | 24.9/19.7 | 24.4 | 24.3 | 24.2 | 24.1 | 24.0 | 23.8 | 23.8 | 23.6 | 20.0 |
| 22.0 | | | | 21.5 | 21.3 | 21.3 | 21.2 | 21.0 | 20.9 | 20.8 | 20.6 | 22.0 |
| 24.0 | | | | 21.1/22.3 | 19.0 | 18.9 | 18.8 | 18.6 | 18.5 | 18.4 | 18.2 | 24.0 |
| 26.0 | | | | | 18.0/24.9 | 16.9 | 16.8 | 16.6 | 16.5 | 16.4 | 16.2 | 26.0 |
| 28.0 | | | | | | 15.6/27.5 | 15.1 | 15.0 | 14.8 | 14.7 | 14.5 | 28.0 |
| 30.0 | | | | | | | 13.7 | 13.5 | 13.4 | 13.3 | 13.1 | 30.0 |
| 32.0 | | | | | | | 13.6/30.1 | 12.3 | 12.2 | 12.1 | 11.8 | 32.0 |
| 34.0 | | | | | | | | 11.9/32.7 | 11.1 | 11.0 | 10.8 | 34.0 |
| 36.0 | | | | | | | | | 10.5/35.3 | 10.0 | 9.8 | 36.0 |
| 38.0 | | | | | | | | | | 9.2/37.9 | 9.0 | 38.0 |
| 40.0 | | | | | | | | | | | 8.2 | 40.0 |
| 42.0 | | | | | | | | | | | 8.1/40.5 | 42.0 |

| Working Radius(m) | Boom length (m) | | | | | | | | | | | Working Radius(m) |
|-------------------|-----------------|-----------|-----------|-----------|-----------|-----------|----------|-----------|-----------|-----------|--|-------------------|
| | 48 | 51 | 54 | 57 | 60 | 63 | 66 | 69 | 72 | 75 | | |
| 10.0 | 36.0/10.6 | 36.0/11.2 | 36.0/11.7 | | | | | | | | | 10.0 |
| 12.0 | 36.0 | 36.0 | 36.0 | 36.0/12.3 | 24.0/12.9 | 24.0/13.5 | | | | | | 12.0 |
| 14.0 | 36.0 | 36.0 | 36.0 | 35.7 | 24.0 | 24.0 | 24.0 | 24.0/14.5 | 23.6/15.1 | 21.0/15.6 | | 14.0 |
| 16.0 | 32.2 | 32.0 | 31.8 | 31.5 | 24.0 | 24.0 | 24.0 | 24.0 | 23.2 | 20.9 | | 16.0 |
| 18.0 | 27.3 | 27.1 | 26.9 | 26.8 | 24.0 | 24.0 | 24.0 | 24.0 | 22.3 | 20.1 | | 18.0 |
| 20.0 | 23.5 | 23.4 | 23.2 | 23.0 | 23.0 | 22.7 | 22.4 | 21.9 | 21.3 | 19.3 | | 20.0 |
| 22.0 | 20.6 | 20.4 | 20.2 | 20.0 | 20.0 | 19.8 | 19.6 | 19.3 | 18.8 | 18.3 | | 22.0 |
| 24.0 | 18.1 | 18.0 | 17.8 | 17.6 | 17.6 | 17.4 | 17.2 | 17.0 | 16.7 | 16.3 | | 24.0 |
| 26.0 | 16.1 | 16.0 | 15.8 | 15.6 | 15.5 | 15.3 | 15.2 | 15.0 | 14.8 | 14.5 | | 26.0 |
| 28.0 | 14.4 | 14.3 | 14.1 | 13.9 | 13.9 | 13.6 | 13.5 | 13.3 | 13.1 | 12.9 | | 28.0 |
| 30.0 | 13.0 | 12.8 | 12.6 | 12.5 | 12.4 | 12.2 | 12.0 | 11.9 | 11.6 | 11.5 | | 30.0 |
| 32.0 | 11.8 | 11.6 | 11.4 | 11.2 | 11.2 | 10.9 | 10.8 | 10.6 | 10.4 | 10.2 | | 32.0 |
| 34.0 | 10.7 | 10.5 | 10.3 | 10.1 | 10.1 | 9.9 | 9.7 | 9.5 | 9.3 | 9.1 | | 34.0 |
| 36.0 | 9.7 | 9.6 | 9.4 | 9.2 | 9.1 | 8.9 | 8.7 | 8.5 | 8.3 | 8.2 | | 36.0 |
| 38.0 | 8.9 | 8.7 | 8.5 | 8.3 | 8.3 | 8.0 | 7.9 | 7.7 | 7.5 | 7.3 | | 38.0 |
| 40.0 | 8.1 | 8.0 | 7.8 | 7.6 | 7.5 | 7.3 | 7.1 | 6.9 | 6.7 | 6.5 | | 40.0 |
| 42.0 | 7.5 | 7.3 | 7.1 | 6.9 | 6.8 | 6.6 | 6.4 | 6.3 | 6.0 | 5.9 | | 42.0 |
| 44.0 | 7.1/43.1 | 6.7 | 6.5 | 6.3 | 6.2 | 6.0 | 5.8 | 5.6 | 5.4 | 5.2 | | 44.0 |
| 46.0 | | 6.2/45.7 | 5.9 | 5.8 | 5.6 | 5.4 | 5.3 | 5.1 | 4.9 | 4.7 | | 46.0 |
| 48.0 | | | 5.4 | 5.3 | 5.1 | 4.9 | 4.8 | 4.6 | 4.4 | 4.2 | | 48.0 |
| 50.0 | | | 5.4/48.3 | 4.8 | 4.7 | 4.5 | 4.3 | 4.1 | 3.9 | 3.7 | | 50.0 |
| 52.0 | | | | 4.6/50.9 | 4.2 | 4.0 | 3.9 | 3.7 | 3.5 | 3.3 | | 52.0 |
| 54.0 | | | | | 4.0/53.2 | 3.6 | 3.5 | 3.3 | 3.1 | 2.9 | | 54.0 |
| 56.0 | | | | | | 3.3/55.8 | 3.1 | 2.9 | 2.7 | 2.5 | | 56.0 |
| 58.0 | | | | | | | 2.8 | 2.6 | 2.4 | 2.2 | | 58.0 |
| 60.0 | | | | | | | 2.7/58.4 | 2.3 | 2.1 | 1.9 | | 60.0 |
| 62.0 | | | | | | | | 2.1/61.0 | 1.8 | 1.6 | | 62.0 |
| 64.0 | | | | | | | | | 1.6/63.6 | 1.4/63.3 | | 64.0 |

- The rated loads are determined according to EN13000 rating on the condition that the machine is stationed on firm, level ground.
- The figures surrounded by bold lines are based on factors other than those which would cause a tipping condition.
- Be sure to attach the hanger sheaves block to the top boom when boom length is 15m.
- Be sure to remove the hanger sheaves block from the top boom when boom length is 18m or more.
- To calculate the maximum load that can actually be lifted, deduct weight of all lifting accessories, such as boom hook and jib hook, from figures shown above.
- Working radius is the horizontal distance from the slewing center to the center of gravity of a lifted load.
- The counter weight is 65.4ton. (Superstructure 56.4ton + Undercarriage 9.0 ton)
- Correlation between the number of reeved lines, maximum rated loads, hook weights are shown in the table below.

| Hook Capacity (t) | Hook Weight (t) | Maximum rated loads (t) | | | | | | | | | | |
|-------------------|-----------------|-------------------------|---------|--------|--------|--------|--------|--------|--------|--------|--------|-------|
| | | 11falls | 10falls | 9falls | 8falls | 7falls | 6falls | 5falls | 4falls | 3falls | 2falls | 1fall |
| 150 | 2.35 | 150.0 | 135.0 | 121.5 | 108.0 | 94.5 | 81.0 | 67.5 | 54.0 | 40.5 | 27.0 | |
| 80 | 1.35 | | | | | | 80.0 | 67.5 | 54.0 | 40.5 | 27.0 | |
| 35 | 0.90 | | | | | | | | | 35.0 | 27.0 | |
| 13.5 | 0.62 | | | | | | | | | | | 13.5 |

Aux. Sheave



| Radius (m) | Boom length (m) | | | | | | | | | | | Radius (m) | |
|------------|-----------------|-----------|-----------|-----------|------|-----------|-----------|-----------|-----------|-----------|-----------|------------|------|
| | 15 | 18 | 21 | 24 | 27 | 30 | 33 | 36 | 39 | 42 | 45 | | |
| 5.6 | 13.5/5.6 | | | | | | | | | | | 5.6 | |
| 6.0 | 13.5 | 13.5/6.3 | 13.5/6.9 | | | | | | | | | 6.0 | |
| 7.0 | 13.5 | 13.5 | 13.5 | 13.5/7.4 | | | | | | | | 7.0 | |
| 8.0 | 13.5 | 13.5 | 13.5 | 13.5 | 13.5 | 13.5/8.5 | | | | | | 8.0 | |
| 9.0 | 13.5 | 13.5 | 13.5 | 13.5 | 13.5 | 13.5 | 13.5 | 13.5/9.6 | | | | 9.0 | |
| 10.0 | 13.5 | 13.5 | 13.5 | 13.5 | 13.5 | 13.5 | 13.5 | 13.5 | 13.5/10.1 | 13.5/10.7 | 13.5/11.2 | 10.0 | |
| 12.0 | 13.5 | 13.5 | 13.5 | 13.5 | 13.5 | 13.5 | 13.5 | 13.5 | 13.5 | 13.5 | 13.5 | 12.0 | |
| 14.0 | 13.5 | 13.5 | 13.5 | 13.5 | 13.5 | 13.5 | 13.5 | 13.5 | 13.5 | 13.5 | 13.5 | 14.0 | |
| 16.0 | 13.5 | 13.5 | 13.5 | 13.5 | 13.5 | 13.5 | 13.5 | 13.5 | 13.5 | 13.5 | 13.5 | 16.0 | |
| 18.0 | 13.5/16.1 | 13.5 | 13.5 | 13.5 | 13.5 | 13.5 | 13.5 | 13.5 | 13.5 | 13.5 | 13.5 | 18.0 | |
| 20.0 | | 13.5/18.7 | 13.5 | 13.5 | 13.5 | 13.5 | 13.5 | 13.5 | 13.5 | 13.5 | 13.5 | 20.0 | |
| 22.0 | | | 13.5/21.3 | 13.5 | 13.5 | 13.5 | 13.5 | 13.5 | 13.5 | 13.5 | 13.5 | 22.0 | |
| 24.0 | | | | 13.5/23.9 | 13.5 | 13.5 | 13.5 | 13.5 | 13.5 | 13.5 | 13.5 | 24.0 | |
| 26.0 | | | | | 13.5 | 13.5 | 13.5 | 13.5 | 13.5 | 13.5 | 13.5 | 26.0 | |
| 28.0 | | | | | | 13.5/26.5 | 13.5 | 13.5 | 13.5 | 13.5 | 13.5 | 28.0 | |
| 30.0 | | | | | | | 13.5/29.1 | 13.5 | 13.4 | 13.2 | 13.1 | 30.0 | |
| 32.0 | | | | | | | | 12.5/31.7 | 12.1 | 12.0 | 11.9 | 32.0 | |
| 34.0 | | | | | | | | | 11.0 | 10.9 | 10.8 | 34.0 | |
| 36.0 | | | | | | | | | 10.9/34.3 | 9.9 | 9.8 | 36.0 | |
| 38.0 | | | | | | | | | | 9.6/36.9 | 9.0 | 38.0 | |
| 40.0 | | | | | | | | | | | 8.4/39.5 | 40.0 | |
| 42.0 | | | | | | | | | | | | 42.0 | |
| 44.0 | | | | | | | | | | | | 7.3/42.1 | 44.0 |

| Radius (m) | Boom length (m) | | | | | | | | | Radius (m) |
|------------|-----------------|-----------|-----------|-----------|----------|-----------|-----------|-----------|-----------|------------|
| | 48 | 51 | 54 | 57 | 60 | 63 | 66 | 69 | 72 | |
| 10.0 | 13.5/11.8 | | | | | | | | | 10.0 |
| 12.0 | 13.5 | 13.5/12.3 | 13.5/12.9 | 13.5/13.4 | | | | | | 12.0 |
| 14.0 | 13.5 | 13.5 | 13.5 | 13.5 | 13.5 | 13.5/14.5 | 13.5/15.1 | 13.5/15.6 | | 14.0 |
| 16.0 | 13.5 | 13.5 | 13.5 | 13.5 | 13.5 | 13.5 | 13.5 | 13.5 | 13.5/16.2 | 16.0 |
| 18.0 | 13.5 | 13.5 | 13.5 | 13.5 | 13.5 | 13.5 | 13.5 | 13.5 | 13.5 | 18.0 |
| 20.0 | 13.5 | 13.5 | 13.5 | 13.5 | 13.5 | 13.5 | 13.5 | 13.5 | 13.5 | 20.0 |
| 22.0 | 13.5 | 13.5 | 13.5 | 13.5 | 13.5 | 13.5 | 13.5 | 13.5 | 13.5 | 22.0 |
| 24.0 | 13.5 | 13.5 | 13.5 | 13.5 | 13.5 | 13.5 | 13.5 | 13.5 | 13.5 | 24.0 |
| 26.0 | 13.5 | 13.5 | 13.5 | 13.5 | 13.5 | 13.5 | 13.5 | 13.5 | 13.5 | 26.0 |
| 28.0 | 13.5 | 13.5 | 13.5 | 13.5 | 13.5 | 13.4 | 13.3 | 13.1 | 12.8 | 28.0 |
| 30.0 | 12.8 | 12.6 | 12.4 | 12.2 | 12.2 | 12.0 | 11.8 | 11.6 | 11.4 | 30.0 |
| 32.0 | 11.6 | 11.4 | 11.2 | 11.0 | 10.9 | 10.7 | 10.5 | 10.4 | 10.1 | 32.0 |
| 34.0 | 10.5 | 10.3 | 10.1 | 9.9 | 9.8 | 9.6 | 9.4 | 9.2 | 9.0 | 34.0 |
| 36.0 | 9.5 | 9.3 | 9.1 | 8.9 | 8.9 | 8.6 | 8.5 | 8.3 | 8.1 | 36.0 |
| 38.0 | 8.7 | 8.5 | 8.3 | 8.1 | 8.0 | 7.8 | 7.6 | 7.4 | 7.2 | 38.0 |
| 40.0 | 7.9 | 7.7 | 7.5 | 7.3 | 7.2 | 7.0 | 6.8 | 6.7 | 6.4 | 40.0 |
| 42.0 | 7.2 | 7.0 | 6.8 | 6.6 | 6.6 | 6.3 | 6.2 | 6.0 | 5.7 | 42.0 |
| 44.0 | 6.6 | 6.4 | 6.2 | 6.0 | 5.9 | 5.7 | 5.5 | 5.3 | 5.1 | 44.0 |
| 46.0 | 6.4/44.7 | 5.9 | 5.6 | 5.5 | 5.4 | 5.1 | 5.0 | 4.8 | 4.6 | 46.0 |
| 48.0 | | 5.6/47.3 | 5.1 | 5.0 | 4.9 | 4.6 | 4.5 | 4.3 | 4.0 | 48.0 |
| 50.0 | | | 4.7/49.8 | 4.5 | 4.4 | 4.2 | 4.0 | 3.8 | 3.6 | 50.0 |
| 52.0 | | | | 4.1 | 4.0 | 3.7 | 3.6 | 3.4 | 3.1 | 52.0 |
| 54.0 | | | | | 4.0/52.4 | 3.6 | 3.4 | 3.2 | 3.0 | 54.0 |
| 56.0 | | | | | | 3.4/55.0 | 3.0 | 2.8 | 2.6 | 56.0 |
| 58.0 | | | | | | | 2.7/57.6 | 2.5 | 2.3 | 58.0 |
| 60.0 | | | | | | | | 2.2 | 2.0 | 60.0 |
| 62.0 | | | | | | | | 2.1/60.2 | 1.9/60.6 | 62.0 |

1. The rated loads are determined according to EN13000 rating on the condition that the machine is stationed on firm, level ground.
2. The figures surrounded by bold lines are based on factors other than those which would cause a tipping condition.
3. To calculate the maximum load that can actually be lifted, deduct weight of all lifting accessories, such as boom hook and jib hook, from figures shown above.

| Hook Capacity (t) | Hook Weight (t) |
|-------------------|-----------------|
| 150 | 2.35 |
| 80 | 1.35 |
| 35 | 0.90 |
| 13.5 | 0.62 |

4. Working radius is the horizontal distance from the slewing center to the center of gravity of a lifted load.
5. The counter weight is 65.4ton. (Superstructure 56.4ton + Undercarriage 9.0 ton)

■ Main Boom with Aux. Sheave



| Radius (m) | Boom length (m) | | | | | | | | | | | Unit: ton |
|------------|-----------------|-------------|-------------|-------------|-------------|-------------|-------------|-------------|-------------|------------|-------------|------------|
| | 15 | 18 | 21 | 24 | 27 | 30 | 33 | 36 | 39 | 42 | 45 | Radius (m) |
| 4.5 | 148.5 | | | | | | | | | | | 4.5 |
| 5.0 | 134.3 | 132.0 / 5.2 | | | | | | | | | | 5.0 |
| 5.5 | 122.6 | 122.4 | 108.0 / 5.7 | | | | | | | | | 5.5 |
| 6.0 | 112.7 | 112.5 | 108.0 | 96.0 / 6.3 | 84.0 / 6.8 | | | | | | | 6.0 |
| 7.0 | 96.8 | 96.7 | 96.9 | 96.0 | 84.0 | 72.0 / 7.4 | 72.0 / 7.9 | | | | | 7.0 |
| 8.0 | 84.8 | 84.6 | 84.9 | 84.8 | 84.0 | 72.0 | 72.0 | 60.0 / 8.5 | | | | 8.0 |
| 9.0 | 73.0 | 73.1 | 73.5 | 73.5 | 73.4 | 72.0 | 72.0 | 60.0 | 60.0 | 48.0 / 9.6 | | 9.0 |
| 10.0 | 62.4 | 62.5 | 62.9 | 62.9 | 62.8 | 62.8 | 62.7 | 60.0 | 60.0 | 48.0 | 48.0 / 10.1 | 10.0 |
| 12.0 | 48.1 | 48.1 | 48.4 | 48.4 | 48.3 | 48.3 | 48.2 | 48.1 | 48.0 | 47.9 | 47.0 | 12.0 |
| 14.0 | 38.8 | 38.8 | 39.1 | 39.1 | 39.0 | 39.0 | 38.8 | 38.7 | 38.6 | 38.5 | 38.3 | 14.0 |
| 16.0 | 36.9 / 14.5 | 32.3 | 32.6 | 32.6 | 32.5 | 32.4 | 32.3 | 32.2 | 32.0 | 32.0 | 31.8 | 16.0 |
| 18.0 | | 29.5 / 17.1 | 27.8 | 27.8 | 27.6 | 27.6 | 27.4 | 27.3 | 27.2 | 27.1 | 26.9 | 18.0 |
| 20.0 | | | 24.6 / 19.7 | 24.1 | 23.9 | 23.9 | 23.7 | 23.6 | 23.4 | 23.4 | 23.1 | 20.0 |
| 22.0 | | | | 21.1 | 21.0 | 20.9 | 20.8 | 20.6 | 20.5 | 20.4 | 20.2 | 22.0 |
| 24.0 | | | | 20.8 / 22.3 | 18.6 | 18.5 | 18.4 | 18.2 | 18.1 | 18.0 | 17.8 | 24.0 |
| 26.0 | | | | | 17.7 / 24.9 | 16.6 | 16.4 | 16.3 | 16.1 | 16.0 | 15.8 | 26.0 |
| 28.0 | | | | | | 15.3 / 27.5 | 14.8 | 14.6 | 14.4 | 14.3 | 14.1 | 28.0 |
| 30.0 | | | | | | | 13.4 | 13.2 | 13.0 | 12.9 | 12.7 | 30.0 |
| 32.0 | | | | | | | 13.3 / 30.1 | 12.0 | 11.8 | 11.7 | 11.4 | 32.0 |
| 34.0 | | | | | | | | 11.6 / 32.7 | 10.7 | 10.6 | 10.4 | 34.0 |
| 36.0 | | | | | | | | | 10.1 / 35.3 | 9.7 | 9.4 | 36.0 |
| 38.0 | | | | | | | | | | 8.9 / 37.9 | 8.6 | 38.0 |
| 40.0 | | | | | | | | | | | 7.9 | 40.0 |
| 42.0 | | | | | | | | | | | 7.7 / 40.5 | 42.0 |

| Radius (m) | Boom length (m) | | | | | | | | | Unit: ton |
|------------|-----------------|-------------|-------------|-------------|-------------|-------------|------------|-------------|-------------|------------|
| | 48 | 51 | 54 | 57 | 60 | 63 | 66 | 69 | 72 | Radius (m) |
| 10.0 | 36.0 / 10.6 | 36.0 / 11.2 | 36.0 / 11.7 | | | | | | | 10.0 |
| 12.0 | 36.0 | 36.0 | 36.0 | 36.0 / 12.3 | 24.0 / 12.9 | 24.0 / 13.5 | | | | 12.0 |
| 14.0 | 36.0 | 36.0 | 36.0 | 34.6 | 24.0 | 24.0 | 24.0 | 24.0 / 14.5 | 22.5 / 15.1 | 14.0 |
| 16.0 | 31.7 | 31.5 | 31.3 | 30.8 | 24.0 | 24.0 | 24.0 | 24.0 | 22.0 | 16.0 |
| 18.0 | 26.8 | 26.7 | 26.5 | 26.3 | 24.0 | 23.9 | 24.0 | 22.9 | 21.2 | 18.0 |
| 20.0 | 23.1 | 22.9 | 22.7 | 22.5 | 22.5 | 21.7 | 21.7 | 21.1 | 20.3 | 20.0 |
| 22.0 | 20.1 | 19.9 | 19.7 | 19.6 | 19.5 | 19.3 | 19.1 | 18.6 | 18.1 | 22.0 |
| 24.0 | 17.7 | 17.5 | 17.3 | 17.1 | 17.1 | 16.9 | 16.7 | 16.5 | 16.0 | 24.0 |
| 26.0 | 15.7 | 15.5 | 15.3 | 15.1 | 15.1 | 14.9 | 14.7 | 14.5 | 14.2 | 26.0 |
| 28.0 | 14.0 | 13.9 | 13.6 | 13.5 | 13.4 | 13.2 | 13.0 | 12.8 | 12.6 | 28.0 |
| 30.0 | 12.6 | 12.4 | 12.2 | 12.0 | 11.9 | 11.7 | 11.5 | 11.4 | 11.1 | 30.0 |
| 32.0 | 11.4 | 11.2 | 11.0 | 10.8 | 10.7 | 10.5 | 10.3 | 10.1 | 9.9 | 32.0 |
| 34.0 | 10.3 | 10.1 | 9.9 | 9.7 | 9.6 | 9.4 | 9.2 | 9.0 | 8.8 | 34.0 |
| 36.0 | 9.3 | 9.2 | 8.9 | 8.7 | 8.7 | 8.4 | 8.3 | 8.1 | 7.8 | 36.0 |
| 38.0 | 8.5 | 8.3 | 8.1 | 7.9 | 7.8 | 7.6 | 7.4 | 7.2 | 7.0 | 38.0 |
| 40.0 | 7.8 | 7.6 | 7.3 | 7.2 | 7.1 | 6.8 | 6.6 | 6.5 | 6.2 | 40.0 |
| 42.0 | 7.1 | 6.9 | 6.7 | 6.5 | 6.4 | 6.2 | 6.0 | 5.8 | 5.5 | 42.0 |
| 44.0 | 6.8 / 43.1 | 6.3 | 6.1 | 5.9 | 5.8 | 5.5 | 5.4 | 5.2 | 4.9 | 44.0 |
| 46.0 | | 5.9 / 45.7 | 5.5 | 5.3 | 5.2 | 5.0 | 4.8 | 4.6 | 4.4 | 46.0 |
| 48.0 | | | 5.0 | 4.9 | 4.7 | 4.5 | 4.3 | 4.1 | 3.9 | 48.0 |
| 50.0 | | | 5.0 / 48.3 | 4.4 | 4.3 | 4.0 | 3.8 | 3.6 | 3.4 | 50.0 |
| 52.0 | | | | 4.2 / 50.9 | 3.8 | 3.6 | 3.4 | 3.2 | 3.0 | 52.0 |
| 54.0 | | | | | 3.6 / 53.2 | 3.2 | 3.0 | 2.8 | 2.6 | 54.0 |
| 56.0 | | | | | | 2.9 / 55.8 | 2.7 | 2.5 | 2.3 | 56.0 |
| 58.0 | | | | | | | 2.4 | 2.2 | 1.9 | 58.0 |
| 60.0 | | | | | | | 2.3 / 58.4 | 1.9 | | 60.0 |

1. The rated loads are determined according to EN13000 rating on the condition that the machine is stationed on firm, level ground.
2. The figures surrounded by bold lines are based on factors other than those which would cause a tipping condition.
3. Be sure to attach the hanger sheaves block to the top boom when boom length is 15m.
4. Be sure to remove the hanger sheaves block from the top boom when boom length is 18m or more.
5. To calculate the maximum load that can actually be lifted, deduct weight of all lifting accessories, such as boom hook and jib hook, from figures shown above.
6. Working radius is the horizontal distance from the slewing center to the center of gravity of a lifted load.
7. The counter weight is 65.4ton. (Superstructure 56.4ton + Undercarriage 9.0 ton)
8. Correlation between the number of reeved lines, maximum rated loads, hook weights are shown in the table below.

| Hook Capacity (t) | Hook Weight (t) | Maximum rated loads (t) | | | | | | | | | | |
|-------------------|-----------------|-------------------------|---------|--------|--------|--------|--------|--------|--------|--------|--------|-------|
| | | 11falls | 10falls | 9falls | 8falls | 7falls | 6falls | 5falls | 4falls | 3falls | 2falls | 1fall |
| 150 | 2.35 | 150.0 | 135.0 | 121.5 | 108.0 | 94.5 | 81.0 | 67.5 | 54.0 | 40.5 | 27.0 | |
| 80 | 1.35 | | | | | | 80.0 | 67.5 | 54.0 | 40.5 | 27.0 | |
| 35 | 0.90 | | | | | | | | | 35.0 | 27.0 | |
| 13.5 | 0.62 | | | | | | | | | | | 13.5 |

■ Crane Jib



| | | | | | | | | | Unit: ton |
|----------------------------------|-----------|-----------|-----------|----------|----------|----------|----------|----------|----------------------------------|
| Boom length (m) | 24 | | | | | | | | Boom length (m) |
| Jib length (m) | 10 | | 16 | | 22 | | 28 | | Jib length (m) |
| Offset angle (deg) Radius (m) | 10 | 30 | 10 | 30 | 10 | 30 | 10 | 30 | Offset angle (deg) Radius (m) |
| 9.7 | 12.0 | | | | | | | | 9.7 |
| 10.0 | 12.0 | | 12.0/11.8 | | | | | | 10.0 |
| 12.0 | 12.0 | 12.0/12.6 | 12.0 | | 8.8/13.9 | | | | 12.0 |
| 14.0 | 12.0 | 12.0 | 12.0 | | 8.8 | | | | 14.0 |
| 16.0 | 12.0 | 12.0 | 12.0 | 9.0/16.5 | 8.8 | | 5.4 | | 16.0 |
| 18.0 | 12.0 | 12.0 | 12.0 | 9.0 | 8.6 | | 5.1 | | 18.0 |
| 20.0 | 12.0 | 12.0 | 12.0 | 9.0 | 8.3 | 6.4/20.4 | 4.8 | | 20.0 |
| 22.0 | 12.0 | 11.7 | 12.0 | 9.0 | 7.9 | 6.4 | 4.5 | | 22.0 |
| 24.0 | 12.0 | 11.2 | 12.0 | 9.0 | 7.6 | 6.4 | 4.3 | 3.4/24.3 | 24.0 |
| 26.0 | 12.0 | 10.8 | 12.0 | 8.7 | 7.3 | 6.4 | 4.1 | 3.4 | 26.0 |
| 28.0 | 12.0 | 10.4 | 11.9 | 8.3 | 7.0 | 6.4 | 3.9 | 3.3 | 28.0 |
| 30.0 | 12.0 | 10.2 | 11.1 | 8.0 | 6.8 | 6.2 | 3.7 | 3.1 | 30.0 |
| 32.0 | 12.0 | 10.0 | 10.4 | 7.7 | 6.6 | 5.9 | 3.6 | 3.0 | 32.0 |
| 34.0 | 12.0/32.2 | 9.9/32.8 | 9.8 | 7.5 | 6.4 | 5.7 | 3.4 | 2.9 | 34.0 |
| 36.0 | | | 9.3 | 7.3 | 6.2 | 5.4 | 3.3 | 2.9 | 36.0 |
| 38.0 | | | 8.9/37.9 | 7.2 | 6.1 | 5.3 | 3.2 | 2.8 | 38.0 |
| 40.0 | | | | 7.2/38.8 | 5.9 | 5.1 | 3.1 | 2.7 | 40.0 |
| 42.0 | | | | | 5.8 | 5.0 | 3.0 | 2.7 | 42.0 |
| 44.0 | | | | | 5.8/43.5 | 4.9 | 2.9 | 2.6 | 44.0 |
| 46.0 | | | | | | 4.9/44.8 | 2.8 | 2.6 | 46.0 |
| 48.0 | | | | | | | 2.7 | 2.6 | 48.0 |
| 50.0 | | | | | | | 2.7/49.2 | 2.6 | 50.0 |
| 52.0 | | | | | | | | 2.6/50.8 | 52.0 |

| | | | | | | | | | Unit: ton |
|----------------------------------|-----------|-----------|-----------|----------|----------|----------|----------|----------|----------------------------------|
| Boom length (m) | 27 | | | | | | | | Boom length (m) |
| Jib length (m) | 10 | | 16 | | 22 | | 28 | | Jib length (m) |
| Offset angle (deg) Radius (m) | 10 | 30 | 10 | 30 | 10 | 30 | 10 | 30 | Offset angle (deg) Radius (m) |
| 10.0 | 12.0/10.2 | | | | | | | | 10.0 |
| 12.0 | 12.0 | 12.0/13.2 | 12.0/12.3 | | | | | | 12.0 |
| 14.0 | 12.0 | 12.0 | 12.0 | | 8.8/14.4 | | | | 14.0 |
| 16.0 | 12.0 | 12.0 | 12.0 | 9.0/17.1 | 8.8 | | 5.4/16.5 | | 16.0 |
| 18.0 | 12.0 | 12.0 | 12.0 | 9.0 | 8.8 | | 5.2 | | 18.0 |
| 20.0 | 12.0 | 12.0 | 12.0 | 9.0 | 8.4 | 6.4/21.0 | 4.9 | | 20.0 |
| 22.0 | 12.0 | 12.0 | 12.0 | 9.0 | 8.1 | 6.4 | 4.6 | | 22.0 |
| 24.0 | 12.0 | 11.5 | 12.0 | 9.0 | 7.8 | 6.4 | 4.4 | 3.4/24.9 | 24.0 |
| 26.0 | 12.0 | 11.1 | 12.0 | 8.9 | 7.5 | 6.4 | 4.2 | 3.4 | 26.0 |
| 28.0 | 12.0 | 10.7 | 12.0 | 8.5 | 7.2 | 6.4 | 4.0 | 3.3 | 28.0 |
| 30.0 | 12.0 | 10.4 | 11.8 | 8.2 | 7.0 | 6.3 | 3.8 | 3.2 | 30.0 |
| 32.0 | 12.0 | 10.2 | 11.1 | 7.9 | 6.7 | 6.1 | 3.7 | 3.1 | 32.0 |
| 34.0 | 12.0 | 10.0 | 10.4 | 7.7 | 6.5 | 5.8 | 3.5 | 3.0 | 34.0 |
| 36.0 | 11.6/34.8 | 9.9/35.4 | 9.9 | 7.5 | 6.4 | 5.6 | 3.4 | 2.9 | 36.0 |
| 38.0 | | | 9.4 | 7.3 | 6.2 | 5.4 | 3.3 | 2.8 | 38.0 |
| 40.0 | | | 9.0 | 7.2 | 6.1 | 5.2 | 3.2 | 2.8 | 40.0 |
| 42.0 | | | 8.9/40.5 | 7.2/41.4 | 5.9 | 5.1 | 3.1 | 2.7 | 42.0 |
| 44.0 | | | | | 5.9 | 5.0 | 3.0 | 2.7 | 44.0 |
| 46.0 | | | | | 5.8 | 4.9 | 2.9 | 2.6 | 46.0 |
| 48.0 | | | | | 5.8/46.1 | 4.8/47.4 | 2.8 | 2.6 | 48.0 |
| 50.0 | | | | | | | 2.8 | 2.6 | 50.0 |
| 52.0 | | | | | | | 2.7/51.7 | 2.6 | 52.0 |
| 54.0 | | | | | | | | 2.6/53.4 | 54.0 |

1. The rated loads are determined according to EN13000 rating on the condition that the machine is stationed on firm, level ground.
2. The figures surrounded by bold lines are based on factors other than those which would cause a tipping condition.
3. To calculate the maximum load that can actually be lifted, deduct weight of all lifting accessories, such as boom hook and jib hook, from figures shown above.

| Hook Capacity (t) | Hook Weight (t) |
|-------------------|-----------------|
| 150 | 2.35 |
| 80 | 1.35 |
| 35 | 0.90 |
| 13.5 | 0.62 |

4. Working radius is the horizontal distance from the slewing center to the center of gravity of a lifted load.
5. The offset angles shown are of jib boom offset angle against the main boom, under load.
6. The counter weight is 65.4ton. (Superstructure 56.4ton + Undercarriage 9.0 ton)

■ Crane Jib



| | | | | | | | | | Unit: ton |
|--------------------|-----------|-----------|-----------|----------|----------|----------|----------|----------|--------------------|
| Boom length (m) | 30 | | | | | | | | Boom length (m) |
| Jib length (m) | 10 | | 16 | | 22 | | 28 | | Jib length (m) |
| Offset angle (deg) | 10 | 30 | 10 | 30 | 10 | 30 | 10 | 30 | Offset angle (deg) |
| Radius (m) | | | | | | | | | Radius (m) |
| 10.7 | 12.0 | | | | | | | | 10.7 |
| 12.0 | 12.0 | 12.0/13.7 | 12.0/12.8 | | | | | | 12.0 |
| 14.0 | 12.0 | 12.0 | 12.0 | | 8.8/15.0 | | | | 14.0 |
| 16.0 | 12.0 | 12.0 | 12.0 | 9.0/17.6 | 8.8 | | 5.4/17.1 | | 16.0 |
| 18.0 | 12.0 | 12.0 | 12.0 | 9.0 | 8.8 | | 5.2 | | 18.0 |
| 20.0 | 12.0 | 12.0 | 12.0 | 9.0 | 8.6 | 6.4/21.5 | 5.0 | | 20.0 |
| 22.0 | 12.0 | 12.0 | 12.0 | 9.0 | 8.2 | 6.4 | 4.7 | | 22.0 |
| 24.0 | 12.0 | 11.8 | 12.0 | 9.0 | 7.9 | 6.4 | 4.5 | 3.4/25.4 | 24.0 |
| 26.0 | 12.0 | 11.4 | 12.0 | 9.0 | 7.6 | 6.4 | 4.3 | 3.4 | 26.0 |
| 28.0 | 12.0 | 11.0 | 12.0 | 8.7 | 7.4 | 6.4 | 4.1 | 3.3 | 28.0 |
| 30.0 | 12.0 | 10.7 | 12.0 | 8.4 | 7.1 | 6.4 | 3.9 | 3.2 | 30.0 |
| 32.0 | 12.0 | 10.4 | 11.7 | 8.1 | 6.9 | 6.2 | 3.8 | 3.1 | 32.0 |
| 34.0 | 11.9 | 10.2 | 11.0 | 7.9 | 6.7 | 6.0 | 3.6 | 3.0 | 34.0 |
| 36.0 | 10.9 | 10.0 | 10.5 | 7.7 | 6.5 | 5.8 | 3.5 | 2.9 | 36.0 |
| 38.0 | 10.3/37.4 | 9.9 | 9.9 | 7.5 | 6.3 | 5.6 | 3.4 | 2.9 | 38.0 |
| 40.0 | | | 9.5 | 7.3 | 6.2 | 5.4 | 3.2 | 2.8 | 40.0 |
| 42.0 | | | 9.0 | 7.2 | 6.1 | 5.2 | 3.1 | 2.7 | 42.0 |
| 44.0 | | | 8.6/43.1 | 7.1 | 6.0 | 5.1 | 3.0 | 2.7 | 44.0 |
| 46.0 | | | | | 5.9 | 5.0 | 3.0 | 2.7 | 46.0 |
| 48.0 | | | | | 5.8 | 4.9 | 2.9 | 2.6 | 48.0 |
| 50.0 | | | | | 5.8/48.7 | 4.8 | 2.8 | 2.6 | 50.0 |
| 52.0 | | | | | | | 2.8 | 2.6 | 52.0 |
| 54.0 | | | | | | | 2.7 | 2.6 | 54.0 |
| 56.0 | | | | | | | 2.7/54.3 | 2.6 | 56.0 |

| | | | | | | | | | Unit: ton |
|--------------------|-----------|-----------|-----------|----------|----------|----------|----------|----------|--------------------|
| Boom length (m) | 33 | | | | | | | | Boom length (m) |
| Jib length (m) | 10 | | 16 | | 22 | | 28 | | Jib length (m) |
| Offset angle (deg) | 10 | 30 | 10 | 30 | 10 | 30 | 10 | 30 | Offset angle (deg) |
| Radius (m) | | | | | | | | | Radius (m) |
| 10.7 | 12.0/11.3 | | | | | | | | 10.7 |
| 12.0 | 12.0 | | 12.0/13.4 | | | | | | 12.0 |
| 14.0 | 12.0 | 12.0/14.3 | 12.0 | | 8.8/15.5 | | | | 14.0 |
| 16.0 | 12.0 | 12.0 | 12.0 | | 8.8 | | 5.4/17.6 | | 16.0 |
| 18.0 | 12.0 | 12.0 | 12.0 | 9.0/18.2 | 8.8 | | 5.3 | | 18.0 |
| 20.0 | 12.0 | 12.0 | 12.0 | 9.0 | 8.7 | | 5.0 | | 20.0 |
| 22.0 | 12.0 | 12.0 | 12.0 | 9.0 | 8.4 | 6.4/22.1 | 4.8 | | 22.0 |
| 24.0 | 12.0 | 12.0 | 12.0 | 9.0 | 8.1 | 6.4 | 4.6 | | 24.0 |
| 26.0 | 12.0 | 11.7 | 12.0 | 9.0 | 7.8 | 6.4 | 4.4 | 3.4 | 26.0 |
| 28.0 | 12.0 | 11.3 | 12.0 | 8.9 | 7.5 | 6.4 | 4.2 | 3.4 | 28.0 |
| 30.0 | 12.0 | 11.0 | 12.0 | 8.6 | 7.3 | 6.4 | 4.0 | 3.2 | 30.0 |
| 32.0 | 12.0 | 10.7 | 12.0 | 8.3 | 7.0 | 6.4 | 3.9 | 3.1 | 32.0 |
| 34.0 | 11.7 | 10.4 | 11.6 | 8.1 | 6.8 | 6.1 | 3.7 | 3.1 | 34.0 |
| 36.0 | 10.7 | 10.2 | 11.0 | 7.9 | 6.7 | 5.9 | 3.6 | 3.0 | 36.0 |
| 38.0 | 9.9 | 10.0 | 10.2 | 7.7 | 6.5 | 5.7 | 3.5 | 2.9 | 38.0 |
| 40.0 | 9.1 | 9.2 | 9.5 | 7.5 | 6.3 | 5.5 | 3.3 | 2.8 | 40.0 |
| 42.0 | | 9.0/40.6 | 8.8 | 7.3 | 6.2 | 5.3 | 3.2 | 2.8 | 42.0 |
| 44.0 | | | 8.1 | 7.2 | 6.1 | 5.2 | 3.1 | 2.7 | 44.0 |
| 46.0 | | | 7.7/45.7 | 7.1 | 6.0 | 5.1 | 3.0 | 2.7 | 46.0 |
| 48.0 | | | | 7.1/46.6 | 5.9 | 5.0 | 3.0 | 2.7 | 48.0 |
| 50.0 | | | | | 5.8 | 4.9 | 2.9 | 2.6 | 50.0 |
| 52.0 | | | | | 5.8/51.3 | 4.8 | 2.8 | 2.6 | 52.0 |
| 54.0 | | | | | | 4.8/52.6 | 2.8 | 2.6 | 54.0 |
| 56.0 | | | | | | | 2.7 | 2.6 | 56.0 |
| 58.0 | | | | | | | 2.7/56.9 | 2.6 | 58.0 |
| 60.0 | | | | | | | | 2.6/58.6 | 60.0 |

• For notes about the table above, refer to page 16.

■ Crane Jib



| | | | | | | | | | Unit: ton |
|--------------------|----------|-----------|-----------|----------|----------|----------|----------|----------|--------------------|
| Boom length (m) | 36 | | | | | | | | Boom length (m) |
| Jib length (m) | 10 | | 16 | | 22 | | 28 | | Jib length (m) |
| Offset angle (deg) | 10 | 30 | 10 | 30 | 10 | 30 | 10 | 30 | Offset angle (deg) |
| Radius (m) | | | | | | | | | Radius (m) |
| 11.8 | 12.0 | | | | | | | | 11.8 |
| 12.0 | 12.0 | | 12.0/13.9 | | | | | | 12.0 |
| 14.0 | 12.0 | 12.0/14.8 | 12.0 | | | | | | 14.0 |
| 16.0 | 12.0 | 12.0 | 12.0 | | 8.8 | | | | 16.0 |
| 18.0 | 12.0 | 12.0 | 12.0 | 9.0/18.7 | 8.8 | | 5.4/18.1 | | 18.0 |
| 20.0 | 12.0 | 12.0 | 12.0 | 9.0 | 8.8 | | 5.1 | | 20.0 |
| 22.0 | 12.0 | 12.0 | 12.0 | 9.0 | 8.5 | 6.4/22.6 | 4.9 | | 22.0 |
| 24.0 | 12.0 | 12.0 | 12.0 | 9.0 | 8.2 | 6.4 | 4.7 | | 24.0 |
| 26.0 | 12.0 | 11.9 | 12.0 | 9.0 | 7.9 | 6.4 | 4.5 | 3.4/26.5 | 26.0 |
| 28.0 | 12.0 | 11.5 | 12.0 | 9.0 | 7.7 | 6.4 | 4.3 | 3.4 | 28.0 |
| 30.0 | 12.0 | 11.2 | 12.0 | 8.8 | 7.4 | 6.4 | 4.1 | 3.3 | 30.0 |
| 32.0 | 12.0 | 10.9 | 12.0 | 8.5 | 7.2 | 6.4 | 4.0 | 3.2 | 32.0 |
| 34.0 | 11.5 | 10.6 | 11.9 | 8.3 | 7.0 | 6.2 | 3.8 | 3.1 | 34.0 |
| 36.0 | 10.5 | 10.4 | 10.9 | 8.0 | 6.8 | 6.0 | 3.7 | 3.0 | 36.0 |
| 38.0 | 9.7 | 9.8 | 10.0 | 7.8 | 6.6 | 5.8 | 3.5 | 2.9 | 38.0 |
| 40.0 | 8.9 | 9.0 | 9.3 | 7.6 | 6.5 | 5.6 | 3.4 | 2.9 | 40.0 |
| 42.0 | 8.2 | 8.3 | 8.6 | 7.5 | 6.3 | 5.5 | 3.3 | 2.8 | 42.0 |
| 44.0 | 8.0/42.6 | 7.9/43.2 | 7.9 | 7.3 | 6.2 | 5.3 | 3.2 | 2.8 | 44.0 |
| 46.0 | | | 7.4 | 7.2 | 6.1 | 5.2 | 3.1 | 2.7 | 46.0 |
| 48.0 | | | 6.9 | 7.0 | 6.0 | 5.1 | 3.0 | 2.7 | 48.0 |
| 50.0 | | | 6.8/48.3 | 6.7/49.2 | 5.9 | 5.0 | 3.0 | 2.6 | 50.0 |
| 52.0 | | | | | 5.8 | 4.9 | 2.9 | 2.6 | 52.0 |
| 54.0 | | | | | 5.8/53.9 | 4.8 | 2.8 | 2.6 | 54.0 |
| 56.0 | | | | | | 4.8/55.2 | 2.8 | 2.6 | 56.0 |
| 58.0 | | | | | | | 2.7 | 2.6 | 58.0 |
| 60.0 | | | | | | | 2.7/59.5 | 2.6 | 60.0 |
| 62.0 | | | | | | | | 2.6/61.2 | 62.0 |

| | | | | | | | | | Unit: ton |
|--------------------|-----------|-----------|-----------|----------|----------|----------|----------|----------|--------------------|
| Boom length (m) | 39 | | | | | | | | Boom length (m) |
| Jib length (m) | 10 | | 16 | | 22 | | 28 | | Jib length (m) |
| Offset angle (deg) | 10 | 30 | 10 | 30 | 10 | 30 | 10 | 30 | Offset angle (deg) |
| Radius (m) | | | | | | | | | Radius (m) |
| 12.0 | 12.0/12.4 | | | | | | | | 12.0 |
| 14.0 | 12.0 | 12.0/15.4 | 12.0/14.5 | | | | | | 14.0 |
| 16.0 | 12.0 | 12.0 | 12.0 | | 8.8/16.6 | | | | 16.0 |
| 18.0 | 12.0 | 12.0 | 12.0 | 9.0/19.3 | 8.8 | | 5.3/18.7 | | 18.0 |
| 20.0 | 12.0 | 12.0 | 12.0 | 9.0 | 8.8 | | 5.2 | | 20.0 |
| 22.0 | 12.0 | 12.0 | 12.0 | 9.0 | 8.6 | 6.4/23.2 | 5.0 | | 22.0 |
| 24.0 | 12.0 | 12.0 | 12.0 | 9.0 | 8.3 | 6.4 | 4.7 | | 24.0 |
| 26.0 | 12.0 | 12.0 | 12.0 | 9.0 | 8.0 | 6.4 | 4.5 | 3.4/27.1 | 26.0 |
| 28.0 | 12.0 | 11.8 | 12.0 | 9.0 | 7.8 | 6.4 | 4.4 | 3.4 | 28.0 |
| 30.0 | 12.0 | 11.4 | 12.0 | 8.9 | 7.6 | 6.4 | 4.2 | 3.3 | 30.0 |
| 32.0 | 12.0 | 11.1 | 12.0 | 8.7 | 7.3 | 6.4 | 4.0 | 3.2 | 32.0 |
| 34.0 | 11.3 | 10.8 | 11.7 | 8.4 | 7.1 | 6.4 | 3.9 | 3.1 | 34.0 |
| 36.0 | 10.3 | 10.6 | 10.7 | 8.2 | 6.9 | 6.1 | 3.8 | 3.0 | 36.0 |
| 38.0 | 9.5 | 9.7 | 9.8 | 8.0 | 6.8 | 5.9 | 3.6 | 3.0 | 38.0 |
| 40.0 | 8.7 | 8.9 | 9.1 | 7.8 | 6.6 | 5.8 | 3.5 | 2.9 | 40.0 |
| 42.0 | 8.1 | 8.2 | 8.4 | 7.6 | 6.4 | 5.6 | 3.4 | 2.8 | 42.0 |
| 44.0 | 7.4 | 7.5 | 7.8 | 7.5 | 6.3 | 5.4 | 3.3 | 2.8 | 44.0 |
| 46.0 | 7.1/45.2 | 7.0/45.8 | 7.2 | 7.3 | 6.2 | 5.3 | 3.2 | 2.7 | 46.0 |
| 48.0 | | | 6.7 | 6.8 | 6.1 | 5.2 | 3.1 | 2.7 | 48.0 |
| 50.0 | | | 6.2 | 6.3 | 6.0 | 5.1 | 3.0 | 2.7 | 50.0 |
| 52.0 | | | 6.0/50.9 | 5.9/51.8 | 5.9 | 5.0 | 3.0 | 2.6 | 52.0 |
| 54.0 | | | | | 5.6 | 4.9 | 2.9 | 2.6 | 54.0 |
| 56.0 | | | | | 5.2 | 4.8 | 2.8 | 2.6 | 56.0 |
| 58.0 | | | | | 5.2/56.5 | 4.8/57.8 | 2.8 | 2.6 | 58.0 |
| 60.0 | | | | | | | 2.7 | 2.6 | 60.0 |
| 62.0 | | | | | | | 2.7 | 2.6 | 62.0 |
| 64.0 | | | | | | | 2.7/62.1 | 2.6/63.8 | 64.0 |

• For notes about the table above, refer to page 16.

■ Crane Jib



| | | | | | | | | Unit: ton | |
|--------------------|----------|-----------|-----------|----------|----------|----------|----------|-----------|--------------------|
| Boom length (m) | 42 | | | | | | | | Boom length (m) |
| Jib length (m) | 10 | | 16 | | 22 | | 28 | | Jib length (m) |
| Offset angle (deg) | 10 | 30 | 10 | 30 | 10 | 30 | 10 | 30 | Offset angle (deg) |
| Radius (m) | | | | | | | | | Radius (m) |
| 12.9 | 12.0 | | | | | | | | 12.9 |
| 14.0 | 12.0 | 12.0/15.9 | 12.0/15.0 | | | | | | 14.0 |
| 16.0 | 12.0 | 12.0 | 12.0 | | 8.8/17.1 | | | | 16.0 |
| 18.0 | 12.0 | 12.0 | 12.0 | 9.0/19.8 | 8.8 | | 5.3/19.2 | | 18.0 |
| 20.0 | 12.0 | 12.0 | 12.0 | 9.0 | 8.8 | | 5.2 | | 20.0 |
| 22.0 | 12.0 | 12.0 | 12.0 | 9.0 | 8.7 | 6.4/23.7 | 5.0 | | 22.0 |
| 24.0 | 12.0 | 12.0 | 12.0 | 9.0 | 8.4 | 6.4 | 4.8 | | 24.0 |
| 26.0 | 12.0 | 12.0 | 12.0 | 9.0 | 8.2 | 6.4 | 4.6 | 3.4/27.6 | 26.0 |
| 28.0 | 12.0 | 12.0 | 12.0 | 9.0 | 7.9 | 6.4 | 4.4 | 3.4 | 28.0 |
| 30.0 | 12.0 | 11.6 | 12.0 | 9.0 | 7.7 | 6.4 | 4.3 | 3.3 | 30.0 |
| 32.0 | 12.0 | 11.3 | 12.0 | 8.8 | 7.5 | 6.4 | 4.1 | 3.2 | 32.0 |
| 34.0 | 11.2 | 11.1 | 11.6 | 8.6 | 7.3 | 6.4 | 4.0 | 3.1 | 34.0 |
| 36.0 | 10.2 | 10.5 | 10.6 | 8.3 | 7.1 | 6.3 | 3.8 | 3.1 | 36.0 |
| 38.0 | 9.4 | 9.6 | 9.7 | 8.1 | 6.9 | 6.1 | 3.7 | 3.0 | 38.0 |
| 40.0 | 8.6 | 8.8 | 8.9 | 7.9 | 6.7 | 5.9 | 3.6 | 2.9 | 40.0 |
| 42.0 | 7.9 | 8.1 | 8.2 | 7.8 | 6.6 | 5.7 | 3.5 | 2.9 | 42.0 |
| 44.0 | 7.3 | 7.4 | 7.6 | 7.6 | 6.4 | 5.5 | 3.4 | 2.8 | 44.0 |
| 46.0 | 6.7 | 6.8 | 7.0 | 7.3 | 6.3 | 5.4 | 3.3 | 2.8 | 46.0 |
| 48.0 | 6.3/47.8 | 6.3 | 6.5 | 6.7 | 6.2 | 5.3 | 3.2 | 2.7 | 48.0 |
| 50.0 | | 6.2/48.4 | 6.1 | 6.2 | 6.1 | 5.2 | 3.1 | 2.7 | 50.0 |
| 52.0 | | | 5.6 | 5.7 | 5.9 | 5.1 | 3.0 | 2.6 | 52.0 |
| 54.0 | | | 5.3/53.5 | 5.3 | 5.5 | 5.0 | 2.9 | 2.6 | 54.0 |
| 56.0 | | | | 5.2/54.4 | 5.1 | 4.9 | 2.9 | 2.6 | 56.0 |
| 58.0 | | | | | 4.7 | 4.8 | 2.8 | 2.6 | 58.0 |
| 60.0 | | | | | 4.6/59.1 | 4.5 | 2.8 | 2.6 | 60.0 |
| 62.0 | | | | | | 4.4/60.4 | 2.7 | 2.6 | 62.0 |
| 64.0 | | | | | | | 2.7 | 2.6 | 64.0 |
| 66.0 | | | | | | | 2.7/64.7 | 2.6 | 66.0 |
| 68.0 | | | | | | | | 2.6/66.4 | 68.0 |

| | | | | | | | | Unit: ton | |
|--------------------|-----------|-----------|-----------|----------|----------|----------|----------|-----------|--------------------|
| Boom length (m) | 45 | | | | | | | | Boom length (m) |
| Jib length (m) | 10 | | 16 | | 22 | | 28 | | Jib length (m) |
| Offset angle (deg) | 10 | 30 | 10 | 30 | 10 | 30 | 10 | 30 | Offset angle (deg) |
| Radius (m) | | | | | | | | | Radius (m) |
| 12.9 | 12.0/13.5 | | | | | | | | 12.9 |
| 14.0 | 12.0 | | 12.0/15.6 | | | | | | 14.0 |
| 16.0 | 12.0 | 12.0/16.5 | 12.0 | | 8.8/17.7 | | | | 16.0 |
| 18.0 | 12.0 | 12.0 | 12.0 | | 8.8 | | 5.3/19.8 | | 18.0 |
| 20.0 | 12.0 | 12.0 | 12.0 | 9.0/20.4 | 8.8 | | 5.3 | | 20.0 |
| 22.0 | 12.0 | 12.0 | 12.0 | 9.0 | 8.8 | | 5.1 | | 22.0 |
| 24.0 | 12.0 | 12.0 | 12.0 | 9.0 | 8.5 | 6.4/24.3 | 4.9 | | 24.0 |
| 26.0 | 12.0 | 12.0 | 12.0 | 9.0 | 8.3 | 6.4 | 4.7 | | 26.0 |
| 28.0 | 12.0 | 12.0 | 12.0 | 9.0 | 8.0 | 6.4 | 4.5 | 3.4/28.2 | 28.0 |
| 30.0 | 12.0 | 11.8 | 12.0 | 9.0 | 7.8 | 6.4 | 4.3 | 3.3 | 30.0 |
| 32.0 | 12.0 | 11.5 | 12.0 | 9.0 | 7.6 | 6.4 | 4.2 | 3.3 | 32.0 |
| 34.0 | 11.0 | 11.3 | 11.3 | 8.7 | 7.4 | 6.4 | 4.0 | 3.2 | 34.0 |
| 36.0 | 10.0 | 10.3 | 10.4 | 8.5 | 7.2 | 6.4 | 3.9 | 3.1 | 36.0 |
| 38.0 | 9.1 | 9.4 | 9.5 | 8.3 | 7.0 | 6.2 | 3.8 | 3.0 | 38.0 |
| 40.0 | 8.4 | 8.6 | 8.7 | 8.1 | 6.8 | 6.0 | 3.7 | 3.0 | 40.0 |
| 42.0 | 7.7 | 7.9 | 8.0 | 7.9 | 6.7 | 5.8 | 3.5 | 2.9 | 42.0 |
| 44.0 | 7.1 | 7.2 | 7.4 | 7.7 | 6.5 | 5.7 | 3.4 | 2.8 | 44.0 |
| 46.0 | 6.5 | 6.6 | 6.8 | 7.1 | 6.4 | 5.5 | 3.3 | 2.8 | 46.0 |
| 48.0 | 6.0 | 6.1 | 6.3 | 6.5 | 6.3 | 5.4 | 3.3 | 2.7 | 48.0 |
| 50.0 | 5.5 | 5.6 | 5.8 | 6.0 | 6.1 | 5.3 | 3.2 | 2.7 | 50.0 |
| 52.0 | 5.4/50.4 | 5.4/51.0 | 5.4 | 5.6 | 5.6 | 5.1 | 3.1 | 2.7 | 52.0 |
| 54.0 | | | 5.0 | 5.1 | 5.2 | 5.1 | 3.0 | 2.6 | 54.0 |
| 56.0 | | | 4.6 | 4.7 | 4.9 | 5.0 | 2.9 | 2.6 | 56.0 |
| 58.0 | | | 4.6/56.1 | 4.5/57.0 | 4.5 | 4.7 | 2.9 | 2.6 | 58.0 |
| 60.0 | | | | | 4.2 | 4.3 | 2.8 | 2.6 | 60.0 |
| 62.0 | | | | | 3.9/61.7 | 4.0 | 2.8 | 2.6 | 62.0 |
| 64.0 | | | | | | 3.8/63.0 | 2.7 | 2.6 | 64.0 |
| 66.0 | | | | | | | 2.7 | 2.6 | 66.0 |
| 68.0 | | | | | | | 2.7/67.3 | 2.6 | 68.0 |
| 70.0 | | | | | | | | 2.6/69.0 | 70.0 |

• For notes about the table above, refer to page 16.

■ Crane Jib



| | | | | | | | | | Unit: ton |
|--------------------|------------|-------------|-------------|------------|------------|------------|------------|------------|--------------------|
| Boom length (m) | 48 | | | | | | | | Boom length (m) |
| Jib length (m) | 10 | | 16 | | 22 | | 28 | | Jib length (m) |
| Offset angle (deg) | 10 | 30 | 10 | 30 | 10 | 30 | 10 | 30 | Offset angle (deg) |
| Radius (m) | | | | | | | | | Radius (m) |
| 14.0 | 12.0 | | | | | | | | 14.0 |
| 16.0 | 12.0 | 12.0 / 17.0 | 12.0 / 16.1 | | | | | | 16.0 |
| 18.0 | 12.0 | 12.0 | 12.0 | | 8.8 / 18.2 | | | | 18.0 |
| 20.0 | 12.0 | 12.0 | 12.0 | 9.0 / 20.9 | 8.8 | | 5.3 / 20.3 | | 20.0 |
| 22.0 | 12.0 | 12.0 | 12.0 | 9.0 | 8.8 | | 5.1 | | 22.0 |
| 24.0 | 12.0 | 12.0 | 12.0 | 9.0 | 8.6 | 6.4 / 24.8 | 4.9 | | 24.0 |
| 26.0 | 12.0 | 12.0 | 12.0 | 9.0 | 8.4 | 6.4 | 4.8 | | 26.0 |
| 28.0 | 12.0 | 12.0 | 12.0 | 9.0 | 8.1 | 6.4 | 4.6 | 3.4 / 28.7 | 28.0 |
| 30.0 | 12.0 | 12.0 | 12.0 | 9.0 | 7.9 | 6.4 | 4.4 | 3.4 | 30.0 |
| 32.0 | 11.9 | 11.7 | 12.0 | 9.0 | 7.7 | 6.4 | 4.3 | 3.3 | 32.0 |
| 34.0 | 10.8 | 11.2 | 11.2 | 8.8 | 7.5 | 6.4 | 4.1 | 3.2 | 34.0 |
| 36.0 | 9.9 | 10.2 | 10.2 | 8.6 | 7.3 | 6.4 | 4.0 | 3.1 | 36.0 |
| 38.0 | 9.0 | 9.3 | 9.4 | 8.4 | 7.1 | 6.3 | 3.9 | 3.1 | 38.0 |
| 40.0 | 8.2 | 8.5 | 8.6 | 8.2 | 7.0 | 6.1 | 3.7 | 3.0 | 40.0 |
| 42.0 | 7.6 | 7.8 | 7.9 | 8.0 | 6.8 | 5.9 | 3.6 | 2.9 | 42.0 |
| 44.0 | 6.9 | 7.1 | 7.3 | 7.6 | 6.7 | 5.8 | 3.5 | 2.9 | 44.0 |
| 46.0 | 6.4 | 6.5 | 6.7 | 7.0 | 6.5 | 5.6 | 3.4 | 2.8 | 46.0 |
| 48.0 | 5.9 | 6.0 | 6.2 | 6.4 | 6.4 | 5.5 | 3.3 | 2.8 | 48.0 |
| 50.0 | 5.4 | 5.5 | 5.7 | 5.9 | 5.9 | 5.4 | 3.2 | 2.7 | 50.0 |
| 52.0 | 5.0 | 5.0 | 5.3 | 5.5 | 5.5 | 5.2 | 3.2 | 2.7 | 52.0 |
| 54.0 | 4.8 / 53.0 | 4.7 / 53.6 | 4.9 | 5.0 | 5.1 | 5.1 | 3.1 | 2.7 | 54.0 |
| 56.0 | | | 4.5 | 4.6 | 4.7 | 5.0 | 3.0 | 2.6 | 56.0 |
| 58.0 | | | 4.1 | 4.2 | 4.4 | 4.6 | 2.9 | 2.6 | 58.0 |
| 60.0 | | | 4.0 / 58.7 | 4.0 / 59.6 | 4.0 | 4.2 | 2.9 | 2.6 | 60.0 |
| 62.0 | | | | | 3.7 | 3.9 | 2.8 | 2.6 | 62.0 |
| 64.0 | | | | | 3.5 | 3.6 | 2.8 | 2.6 | 64.0 |
| 66.0 | | | | | 3.4 / 64.3 | 3.3 / 65.6 | 2.7 | 2.6 | 66.0 |
| 68.0 | | | | | | | 2.7 | 2.6 | 68.0 |
| 70.0 | | | | | | | 2.7 / 69.9 | 2.6 | 70.0 |
| 72.0 | | | | | | | | 2.6 / 71.6 | 72.0 |

| | | | | | | | | | Unit: ton |
|--------------------|-------------|-------------|-------------|------------|------------|------------|------------|------------|--------------------|
| Boom length (m) | 51 | | | | | | | | Boom length (m) |
| Jib length (m) | 10 | | 16 | | 22 | | 28 | | Jib length (m) |
| Offset angle (deg) | 10 | 30 | 10 | 30 | 10 | 30 | 10 | 30 | Offset angle (deg) |
| Radius (m) | | | | | | | | | Radius (m) |
| 14.0 | 12.0 / 14.6 | | | | | | | | 14.0 |
| 16.0 | 12.0 | 12.0 / 17.6 | 12.0 / 16.7 | | | | | | 16.0 |
| 18.0 | 12.0 | 12.0 | 12.0 | | 8.8 / 18.8 | | | | 18.0 |
| 20.0 | 12.0 | 12.0 | 12.0 | 9.0 / 21.5 | 8.8 | | 5.3 / 20.9 | | 20.0 |
| 22.0 | 12.0 | 12.0 | 12.0 | 9.0 | 8.8 | | 5.2 | | 22.0 |
| 24.0 | 12.0 | 12.0 | 12.0 | 9.0 | 8.7 | 6.4 / 25.4 | 5.0 | | 24.0 |
| 26.0 | 12.0 | 12.0 | 12.0 | 9.0 | 8.5 | 6.4 | 4.8 | | 26.0 |
| 28.0 | 12.0 | 12.0 | 12.0 | 9.0 | 8.2 | 6.4 | 4.6 | 3.4 / 29.3 | 28.0 |
| 30.0 | 12.0 | 12.0 | 12.0 | 9.0 | 8.0 | 6.4 | 4.5 | 3.4 | 30.0 |
| 32.0 | 11.8 | 11.9 | 12.0 | 9.0 | 7.8 | 6.4 | 4.3 | 3.3 | 32.0 |
| 34.0 | 10.7 | 11.0 | 11.0 | 9.0 | 7.6 | 6.4 | 4.2 | 3.2 | 34.0 |
| 36.0 | 9.7 | 10.0 | 10.1 | 8.7 | 7.4 | 6.4 | 4.0 | 3.1 | 36.0 |
| 38.0 | 8.8 | 9.1 | 9.2 | 8.5 | 7.2 | 6.4 | 3.9 | 3.1 | 38.0 |
| 40.0 | 8.1 | 8.3 | 8.4 | 8.3 | 7.1 | 6.2 | 3.8 | 3.0 | 40.0 |
| 42.0 | 7.4 | 7.6 | 7.7 | 8.1 | 6.9 | 6.0 | 3.7 | 2.9 | 42.0 |
| 44.0 | 6.7 | 6.9 | 7.1 | 7.4 | 6.8 | 5.9 | 3.6 | 2.9 | 44.0 |
| 46.0 | 6.2 | 6.3 | 6.5 | 6.8 | 6.6 | 5.7 | 3.5 | 2.8 | 46.0 |
| 48.0 | 5.7 | 5.8 | 6.0 | 6.3 | 6.2 | 5.6 | 3.4 | 2.8 | 48.0 |
| 50.0 | 5.2 | 5.3 | 5.5 | 5.8 | 5.8 | 5.4 | 3.3 | 2.7 | 50.0 |
| 52.0 | 4.8 | 4.9 | 5.1 | 5.3 | 5.3 | 5.3 | 3.2 | 2.7 | 52.0 |
| 54.0 | 4.4 | 4.4 | 4.7 | 4.9 | 4.9 | 5.2 | 3.1 | 2.7 | 54.0 |
| 56.0 | 4.1 / 55.6 | 4.1 | 4.3 | 4.5 | 4.5 | 4.8 | 3.1 | 2.6 | 56.0 |
| 58.0 | | 4.0 / 56.2 | 4.0 | 4.1 | 4.2 | 4.5 | 3.0 | 2.6 | 58.0 |
| 60.0 | | | 3.6 | 3.7 | 3.9 | 4.1 | 2.9 | 2.6 | 60.0 |
| 62.0 | | | 3.4 / 61.3 | 3.4 | 3.6 | 3.8 | 2.9 | 2.6 | 62.0 |
| 64.0 | | | | 3.4 / 62.2 | 3.3 | 3.4 | 2.8 | 2.6 | 64.0 |
| 66.0 | | | | | 3.0 | 3.1 | 2.8 | 2.6 | 66.0 |
| 68.0 | | | | | 2.9 / 66.9 | 2.9 | 2.7 | 2.6 | 68.0 |
| 70.0 | | | | | | 2.8 / 68.2 | 2.7 | 2.6 | 70.0 |
| 72.0 | | | | | | | 2.5 | 2.6 | 72.0 |
| 74.0 | | | | | | | 2.4 / 72.5 | 2.4 | 74.0 |
| 76.0 | | | | | | | | 2.4 / 74.2 | 76.0 |

• For notes about the table above, refer to page 16.

■ Crane Jib



| | | | | | | | | | Unit: ton |
|--------------------|----------|-----------|-----------|----------|----------|----------|----------|----------|--------------------|
| Boom length (m) | 54 | | | | | | | | Boom length (m) |
| Jib length (m) | 10 | | 16 | | 22 | | 28 | | Jib length (m) |
| Offset angle (deg) | 10 | 30 | 10 | 30 | 10 | 30 | 10 | 30 | Offset angle (deg) |
| Radius (m) | | | | | | | | | Radius (m) |
| 15.1 | 12.0 | | | | | | | | 15.1 |
| 16.0 | 12.0 | | 12.0/17.2 | | | | | | 16.0 |
| 18.0 | 12.0 | 12.0/18.1 | 12.0 | | 8.8/19.3 | | | | 18.0 |
| 20.0 | 12.0 | 12.0 | 12.0 | | 8.8 | | 5.3/21.4 | | 20.0 |
| 22.0 | 12.0 | 12.0 | 12.0 | 9.0 | 8.8 | | 5.2 | | 22.0 |
| 24.0 | 12.0 | 12.0 | 12.0 | 9.0 | 8.8 | 6.4/25.9 | 5.0 | | 24.0 |
| 26.0 | 12.0 | 12.0 | 12.0 | 9.0 | 8.6 | 6.4 | 4.9 | | 26.0 |
| 28.0 | 12.0 | 12.0 | 12.0 | 9.0 | 8.3 | 6.4 | 4.7 | 3.4/29.8 | 28.0 |
| 30.0 | 12.0 | 12.0 | 12.0 | 9.0 | 8.1 | 6.4 | 4.5 | 3.4 | 30.0 |
| 32.0 | 11.5 | 12.0 | 11.9 | 9.0 | 7.9 | 6.4 | 4.4 | 3.3 | 32.0 |
| 34.0 | 10.4 | 10.8 | 10.8 | 9.0 | 7.7 | 6.4 | 4.2 | 3.2 | 34.0 |
| 36.0 | 9.5 | 9.8 | 9.8 | 8.9 | 7.5 | 6.4 | 4.1 | 3.2 | 36.0 |
| 38.0 | 8.6 | 8.9 | 9.0 | 8.7 | 7.3 | 6.4 | 4.0 | 3.1 | 38.0 |
| 40.0 | 7.8 | 8.1 | 8.2 | 8.5 | 7.2 | 6.3 | 3.9 | 3.0 | 40.0 |
| 42.0 | 7.1 | 7.4 | 7.5 | 7.9 | 7.0 | 6.1 | 3.8 | 3.0 | 42.0 |
| 44.0 | 6.5 | 6.7 | 6.9 | 7.3 | 6.9 | 5.9 | 3.6 | 2.9 | 44.0 |
| 46.0 | 5.9 | 6.1 | 6.3 | 6.6 | 6.6 | 5.8 | 3.5 | 2.9 | 46.0 |
| 48.0 | 5.4 | 5.6 | 5.8 | 6.1 | 6.0 | 5.7 | 3.5 | 2.8 | 48.0 |
| 50.0 | 5.0 | 5.1 | 5.3 | 5.6 | 5.5 | 5.5 | 3.4 | 2.8 | 50.0 |
| 52.0 | 4.5 | 4.7 | 4.8 | 5.1 | 5.1 | 5.4 | 3.3 | 2.7 | 52.0 |
| 54.0 | 4.1 | 4.2 | 4.4 | 4.7 | 4.7 | 5.1 | 3.2 | 2.7 | 54.0 |
| 56.0 | 3.8 | 3.8 | 4.1 | 4.3 | 4.3 | 4.7 | 3.1 | 2.7 | 56.0 |
| 58.0 | 3.4 | 3.5 | 3.7 | 3.9 | 4.0 | 4.3 | 3.1 | 2.6 | 58.0 |
| 60.0 | 3.4/58.2 | 3.3/58.8 | 3.4 | 3.5 | 3.6 | 3.9 | 3.0 | 2.6 | 60.0 |
| 62.0 | | | 3.1 | 3.2 | 3.3 | 3.6 | 2.9 | 2.6 | 62.0 |
| 64.0 | | | 2.8/63.9 | 2.9 | 3.1 | 3.3 | 2.9 | 2.6 | 64.0 |
| 66.0 | | | | 2.8/64.8 | 2.8 | 3.0 | 2.8 | 2.6 | 66.0 |
| 68.0 | | | | | 2.5 | 2.7 | 2.7 | 2.6 | 68.0 |
| 70.0 | | | | | 2.4/69.5 | 2.4 | 2.5 | 2.6 | 70.0 |
| 72.0 | | | | | | 2.3/70.8 | 2.3 | 2.5 | 72.0 |
| 74.0 | | | | | | | 2.1 | 2.2 | 74.0 |
| 76.0 | | | | | | | 2.0/75.1 | 2.0 | 76.0 |
| 78.0 | | | | | | | | 1.9/76.8 | 78.0 |

| | | | | | | | | | Unit: ton |
|--------------------|-----------|-----------|-----------|----------|----------|----------|-----|----------|--------------------|
| Boom length (m) | 57 | | | | | | | | Boom length (m) |
| Jib length (m) | 10 | | 16 | | 22 | | 28 | | Jib length (m) |
| Offset angle (deg) | 10 | 30 | 10 | 30 | 10 | 30 | 10 | 30 | Offset angle (deg) |
| Radius (m) | | | | | | | | | Radius (m) |
| 15.1 | 12.0/15.7 | | | | | | | | 15.1 |
| 16.0 | 12.0 | | 12.0/17.8 | | | | | | 16.0 |
| 18.0 | 12.0 | 12.0/18.7 | 12.0 | | 8.8/19.9 | | | | 18.0 |
| 20.0 | 12.0 | 12.0 | 12.0 | | 8.8 | | | | 20.0 |
| 22.0 | 12.0 | 12.0 | 12.0 | 9.0/22.6 | 8.8 | | 5.3 | | 22.0 |
| 24.0 | 12.0 | 12.0 | 12.0 | 9.0 | 8.8 | | 5.1 | | 24.0 |
| 26.0 | 12.0 | 12.0 | 12.0 | 9.0 | 8.7 | 6.4/26.5 | 4.9 | | 26.0 |
| 28.0 | 12.0 | 12.0 | 12.0 | 9.0 | 8.4 | 6.4 | 4.8 | | 28.0 |
| 30.0 | 12.0 | 12.0 | 12.0 | 9.0 | 8.2 | 6.4 | 4.6 | 3.4/30.4 | 30.0 |
| 32.0 | 11.4 | 11.8 | 11.8 | 9.0 | 8.0 | 6.4 | 4.4 | 3.3 | 32.0 |
| 34.0 | 10.3 | 10.7 | 10.6 | 9.0 | 7.8 | 6.4 | 4.3 | 3.3 | 34.0 |
| 36.0 | 9.3 | 9.7 | 9.7 | 9.0 | 7.6 | 6.4 | 4.2 | 3.2 | 36.0 |
| 38.0 | 8.4 | 8.7 | 8.8 | 8.8 | 7.4 | 6.4 | 4.0 | 3.1 | 38.0 |
| 40.0 | 7.6 | 7.9 | 8.0 | 8.5 | 7.3 | 6.4 | 3.9 | 3.1 | 40.0 |
| 42.0 | 6.9 | 7.2 | 7.3 | 7.8 | 7.1 | 6.2 | 3.8 | 3.0 | 42.0 |
| 44.0 | 6.3 | 6.6 | 6.7 | 7.1 | 6.9 | 6.0 | 3.7 | 2.9 | 44.0 |
| 46.0 | 5.8 | 6.0 | 6.1 | 6.5 | 6.4 | 5.9 | 3.6 | 2.9 | 46.0 |
| 48.0 | 5.2 | 5.4 | 5.6 | 5.9 | 5.8 | 5.7 | 3.5 | 2.8 | 48.0 |
| 50.0 | 4.8 | 4.9 | 5.1 | 5.4 | 5.4 | 5.6 | 3.4 | 2.8 | 50.0 |
| 52.0 | 4.3 | 4.5 | 4.6 | 4.9 | 4.9 | 5.4 | 3.3 | 2.7 | 52.0 |
| 54.0 | 3.9 | 4.1 | 4.2 | 4.5 | 4.5 | 4.9 | 3.3 | 2.7 | 54.0 |
| 56.0 | 3.6 | 3.7 | 3.9 | 4.1 | 4.1 | 4.5 | 3.2 | 2.7 | 56.0 |
| 58.0 | 3.2 | 3.3 | 3.5 | 3.7 | 3.8 | 4.1 | 3.1 | 2.6 | 58.0 |
| 60.0 | 2.9 | 3.0 | 3.2 | 3.4 | 3.4 | 3.8 | 3.0 | 2.6 | 60.0 |
| 62.0 | 2.8/60.8 | 2.8/61.4 | 2.9 | 3.1 | 3.1 | 3.4 | 3.0 | 2.6 | 62.0 |
| 64.0 | | | 2.6 | 2.8 | 2.9 | 3.1 | 2.9 | 2.6 | 64.0 |
| 66.0 | | | 2.4 | 2.5 | 2.6 | 2.8 | 2.8 | 2.6 | 66.0 |
| 68.0 | | | 2.3/66.5 | 2.3/67.4 | 2.4 | 2.5 | 2.5 | 2.6 | 68.0 |
| 70.0 | | | | | 2.1 | 2.3 | 2.3 | 2.6 | 70.0 |
| 72.0 | | | | | 1.9 | 2.0 | 2.1 | 2.3 | 72.0 |
| 74.0 | | | | | 1.9/72.1 | 1.9/72.7 | 1.9 | 2.1 | 74.0 |
| 76.0 | | | | | | | | 1.9/75.3 | 76.0 |

• For notes about the table above, refer to page 16.

■ Crane Jib



| | | | | | | | | | Unit: ton |
|--------------------|------------|-------------|-------------|------------|------------|------------|------------|------------|--------------------|
| Boom length (m) | 60 | | | | | | | | Boom length (m) |
| Jib length (m) | 10 | | 16 | | 22 | | 28 | | Jib length (m) |
| Offset angle (deg) | 10 | 30 | 10 | 30 | 10 | 30 | 10 | 30 | Offset angle (deg) |
| Radius (m) | | | | | | | | | Radius (m) |
| 16.2 | 12.0 | | | | | | | | 16.2 |
| 18.0 | 12.0 | 12.0 / 19.2 | 12.0 / 18.3 | | | | | | 18.0 |
| 20.0 | 12.0 | 12.0 | 12.0 | | 8.8 / 20.4 | | | | 20.0 |
| 22.0 | 12.0 | 12.0 | 12.0 | 9.0 / 23.1 | 8.8 | | 5.3 / 22.5 | | 22.0 |
| 24.0 | 12.0 | 12.0 | 12.0 | 9.0 | 8.8 | | 5.1 | | 24.0 |
| 26.0 | 12.0 | 12.0 | 12.0 | 9.0 | 8.8 | 6.4 / 27.0 | 5.0 | | 26.0 |
| 28.0 | 12.0 | 12.0 | 12.0 | 9.0 | 8.5 | 6.4 | 4.8 | | 28.0 |
| 30.0 | 12.0 | 12.0 | 12.0 | 9.0 | 8.3 | 6.4 | 4.6 | 3.4 / 30.9 | 30.0 |
| 32.0 | 11.3 | 11.8 | 11.7 | 9.0 | 8.1 | 6.4 | 4.5 | 3.3 | 32.0 |
| 34.0 | 10.2 | 10.6 | 10.6 | 9.0 | 7.9 | 6.4 | 4.4 | 3.3 | 34.0 |
| 36.0 | 9.2 | 9.6 | 9.6 | 9.0 | 7.7 | 6.4 | 4.2 | 3.2 | 36.0 |
| 38.0 | 8.3 | 8.7 | 8.7 | 8.9 | 7.5 | 6.4 | 4.1 | 3.1 | 38.0 |
| 40.0 | 7.5 | 7.9 | 7.9 | 8.5 | 7.4 | 6.4 | 4.0 | 3.1 | 40.0 |
| 42.0 | 6.9 | 7.1 | 7.2 | 7.7 | 7.2 | 6.3 | 3.9 | 3.0 | 42.0 |
| 44.0 | 6.2 | 6.5 | 6.6 | 7.0 | 6.8 | 6.1 | 3.8 | 3.0 | 44.0 |
| 46.0 | 5.7 | 5.9 | 6.0 | 6.4 | 6.3 | 6.0 | 3.7 | 2.9 | 46.0 |
| 48.0 | 5.1 | 5.3 | 5.5 | 5.8 | 5.7 | 5.8 | 3.6 | 2.9 | 48.0 |
| 50.0 | 4.7 | 4.9 | 5.0 | 5.3 | 5.2 | 5.7 | 3.5 | 2.8 | 50.0 |
| 52.0 | 4.2 | 4.4 | 4.5 | 4.9 | 4.8 | 5.3 | 3.4 | 2.8 | 52.0 |
| 54.0 | 3.8 | 4.0 | 4.1 | 4.4 | 4.4 | 4.8 | 3.3 | 2.7 | 54.0 |
| 56.0 | 3.5 | 3.6 | 3.8 | 4.0 | 4.0 | 4.4 | 3.2 | 2.7 | 56.0 |
| 58.0 | 3.1 | 3.2 | 3.4 | 3.6 | 3.7 | 4.0 | 3.2 | 2.7 | 58.0 |
| 60.0 | 2.8 | 2.9 | 3.1 | 3.3 | 3.3 | 3.7 | 3.1 | 2.6 | 60.0 |
| 62.0 | 2.5 | 2.6 | 2.8 | 3.0 | 3.0 | 3.3 | 3.0 | 2.6 | 62.0 |
| 64.0 | 2.3 / 63.4 | 2.3 | 2.5 | 2.7 | 2.7 | 3.0 | 2.9 | 2.6 | 64.0 |
| 66.0 | | | 2.2 | 2.4 | 2.5 | 2.7 | 2.7 | 2.6 | 66.0 |
| 68.0 | | | 2.0 | 2.1 | 2.2 | 2.4 | 2.4 | 2.6 | 68.0 |
| 70.0 | | | 1.9 / 69.1 | 1.9 / 69.3 | 2.0 | 2.2 | 2.2 | 2.5 | 70.0 |
| 72.0 | | | | | 1.9 / 71.0 | 1.9 | 1.9 | 2.2 | 72.0 |
| 74.0 | | | | | | | | 2.0 | 74.0 |
| 76.0 | | | | | | | | 1.9 / 75.0 | 76.0 |

| | | | | | | | | | Unit: ton |
|--------------------|-------------|-------------|-------------|------------|------------|------------|------------|------------|--------------------|
| Boom length (m) | 63 | | | | | | | | Boom length (m) |
| Jib length (m) | 10 | | 16 | | 22 | | 28 | | Jib length (m) |
| Offset angle (deg) | 10 | 30 | 10 | 30 | 10 | 30 | 10 | 30 | Offset angle (deg) |
| Radius (m) | | | | | | | | | Radius (m) |
| 16.2 | 12.0 / 16.8 | | | | | | | | 16.2 |
| 18.0 | 12.0 | 12.0 / 19.8 | 12.0 / 18.9 | | | | | | 18.0 |
| 20.0 | 12.0 | 12.0 | 12.0 | | 8.8 / 21.0 | | | | 20.0 |
| 22.0 | 12.0 | 12.0 | 12.0 | 9.0 / 23.7 | 8.8 | | 5.3 / 23.1 | | 22.0 |
| 24.0 | 12.0 | 12.0 | 12.0 | 9.0 | 8.8 | | 5.2 | | 24.0 |
| 26.0 | 12.0 | 12.0 | 12.0 | 9.0 | 8.8 | 6.4 / 27.5 | 5.0 | | 26.0 |
| 28.0 | 12.0 | 12.0 | 12.0 | 9.0 | 8.6 | 6.4 | 4.9 | | 28.0 |
| 30.0 | 12.0 | 12.0 | 12.0 | 9.0 | 8.4 | 6.4 | 4.7 | 3.4 / 31.4 | 30.0 |
| 32.0 | 11.1 | 11.6 | 11.5 | 9.0 | 8.2 | 6.4 | 4.6 | 3.4 | 32.0 |
| 34.0 | 10.0 | 10.4 | 10.3 | 9.0 | 8.0 | 6.4 | 4.4 | 3.3 | 34.0 |
| 36.0 | 9.0 | 9.4 | 9.4 | 9.0 | 7.8 | 6.4 | 4.3 | 3.2 | 36.0 |
| 38.0 | 8.1 | 8.5 | 8.5 | 9.0 | 7.6 | 6.4 | 4.2 | 3.2 | 38.0 |
| 40.0 | 7.3 | 7.7 | 7.7 | 8.3 | 7.5 | 6.4 | 4.0 | 3.1 | 40.0 |
| 42.0 | 6.6 | 6.9 | 7.0 | 7.5 | 7.3 | 6.4 | 3.9 | 3.0 | 42.0 |
| 44.0 | 6.0 | 6.3 | 6.3 | 6.8 | 6.6 | 6.2 | 3.8 | 3.0 | 44.0 |
| 46.0 | 5.4 | 5.7 | 5.8 | 6.2 | 6.1 | 6.1 | 3.7 | 2.9 | 46.0 |
| 48.0 | 4.9 | 5.1 | 5.2 | 5.7 | 5.5 | 5.9 | 3.6 | 2.9 | 48.0 |
| 50.0 | 4.4 | 4.6 | 4.8 | 5.1 | 5.0 | 5.6 | 3.5 | 2.8 | 50.0 |
| 52.0 | 4.0 | 4.2 | 4.3 | 4.7 | 4.6 | 5.1 | 3.5 | 2.8 | 52.0 |
| 54.0 | 3.6 | 3.8 | 3.9 | 4.2 | 4.2 | 4.7 | 3.4 | 2.7 | 54.0 |
| 56.0 | 3.2 | 3.4 | 3.5 | 3.8 | 3.8 | 4.2 | 3.3 | 2.7 | 56.0 |
| 58.0 | 2.9 | 3.0 | 3.2 | 3.4 | 3.4 | 3.8 | 3.2 | 2.7 | 58.0 |
| 60.0 | 2.6 | 2.7 | 2.9 | 3.1 | 3.1 | 3.5 | 3.2 | 2.7 | 60.0 |
| 62.0 | 2.3 | 2.4 | 2.6 | 2.8 | 2.8 | 3.1 | 3.0 | 2.6 | 62.0 |
| 64.0 | 2.0 | 2.1 | 2.3 | 2.5 | 2.5 | 2.8 | 2.7 | 2.6 | 64.0 |
| 66.0 | 1.9 / 64.6 | 1.9 / 65.3 | 2.0 | 2.2 | 2.2 | 2.5 | 2.4 | 2.6 | 66.0 |
| 68.0 | | | 1.9 / 67.0 | 1.9 | 2.0 | 2.3 | 2.2 | 2.6 | 68.0 |
| 70.0 | | | | | 1.9 / 69.0 | 2.0 | 2.0 | 2.3 | 70.0 |
| 72.0 | | | | | | 1.9 / 70.6 | 1.9 / 70.6 | 2.0 | 72.0 |
| 74.0 | | | | | | | | 1.9 / 73.0 | 74.0 |

• For notes about the table above, refer to page 16.

■ Main Boom with Crane Jib



| | | | | | | | | | Unit: ton |
|--------------------|------------|------------|------------|------------|------------|------------|------------|------------|--------------------|
| Boom length (m) | 24 | | | | | | | | Boom length (m) |
| Jib length (m) | 10 | | 16 | | 22 | | 28 | | Jib length (m) |
| Offset angle (deg) | 10 | 30 | 10 | 30 | 10 | 30 | 10 | 30 | Offset angle (deg) |
| Radius (m) | | | | | | | | | Radius (m) |
| 6.3 | 80.0 | 80.0 | 80.0 | 80.0 | 80.0 | 80.0 | 80.0 | 80.0 | 6.3 |
| 7.0 | 80.0 | 80.0 | 80.0 | 80.0 | 80.0 | 80.0 | 80.0 | 80.0 | 7.0 |
| 8.0 | 80.0 | 80.0 | 80.0 | 80.0 | 80.0 | 80.0 | 80.0 | 80.0 | 8.0 |
| 9.0 | 72.6 | 72.2 | 71.9 | 71.2 | 71.1 | 70.1 | 70.2 | 68.8 | 9.0 |
| 10.0 | 62.0 | 61.6 | 61.3 | 60.7 | 60.5 | 59.7 | 59.7 | 58.5 | 10.0 |
| 12.0 | 47.5 | 47.3 | 46.9 | 46.5 | 46.2 | 45.5 | 45.4 | 44.5 | 12.0 |
| 14.0 | 38.2 | 38.0 | 37.6 | 37.3 | 36.9 | 36.4 | 36.1 | 35.5 | 14.0 |
| 16.0 | 31.6 | 31.5 | 31.0 | 30.8 | 30.4 | 30.0 | 29.6 | 29.2 | 16.0 |
| 18.0 | 26.8 | 26.7 | 26.2 | 26.1 | 25.6 | 25.4 | 24.9 | 24.6 | 18.0 |
| 20.0 | 23.1 | 23.0 | 22.5 | 22.4 | 21.9 | 21.8 | 21.2 | 21.0 | 20.0 |
| 22.0 | 20.2 | 20.1 | 19.6 | 19.6 | 19.0 | 18.9 | 18.4 | 18.3 | 22.0 |
| 24.0 | 19.8 /22.3 | 19.7 /22.3 | 19.2 /22.3 | 19.2 /22.3 | 18.6 /22.3 | 18.6 /22.3 | 18.0 /22.3 | 17.9 /22.3 | 24.0 |

| | | | | | | | | | Unit: ton |
|--------------------|------------|------------|------------|------------|------------|------------|------------|------------|--------------------|
| Boom length (m) | 27 | | | | | | | | Boom length (m) |
| Jib length (m) | 10 | | 16 | | 22 | | 28 | | Jib length (m) |
| Offset angle (deg) | 10 | 30 | 10 | 30 | 10 | 30 | 10 | 30 | Offset angle (deg) |
| Radius (m) | | | | | | | | | Radius (m) |
| 6.3 | 80.0 /6.8 | 80.0 /6.8 | 80.0 /6.8 | 80.0 /6.8 | 80.0 /6.8 | 80.0 /6.8 | 80.0 /6.8 | 80.0 /6.8 | 6.3 |
| 7.0 | 80.0 | 80.0 | 80.0 | 80.0 | 80.0 | 80.0 | 80.0 | 80.0 | 7.0 |
| 8.0 | 80.0 | 80.0 | 80.0 | 80.0 | 80.0 | 80.0 | 80.0 | 80.0 | 8.0 |
| 9.0 | 72.6 | 72.2 | 71.9 | 71.2 | 71.2 | 70.1 | 70.3 | 68.8 | 9.0 |
| 10.0 | 61.9 | 61.6 | 61.3 | 60.7 | 60.6 | 59.7 | 59.7 | 58.5 | 10.0 |
| 12.0 | 47.5 | 47.2 | 46.9 | 46.4 | 46.2 | 45.5 | 45.4 | 44.5 | 12.0 |
| 14.0 | 38.1 | 37.9 | 37.5 | 37.2 | 36.9 | 36.4 | 36.1 | 35.4 | 14.0 |
| 16.0 | 31.5 | 31.4 | 31.0 | 30.7 | 30.4 | 30.0 | 29.7 | 29.1 | 16.0 |
| 18.0 | 26.7 | 26.6 | 26.2 | 26.0 | 25.5 | 25.3 | 24.9 | 24.5 | 18.0 |
| 20.0 | 23.0 | 22.9 | 22.5 | 22.3 | 21.9 | 21.6 | 21.2 | 20.9 | 20.0 |
| 22.0 | 20.0 | 20.0 | 19.5 | 19.4 | 18.9 | 18.8 | 18.3 | 18.1 | 22.0 |
| 24.0 | 17.7 | 17.6 | 17.2 | 17.1 | 16.6 | 16.5 | 16.0 | 15.9 | 24.0 |
| 24.9 | 16.7 /24.9 | 16.7 /24.9 | 16.2 /24.9 | 16.2 /24.9 | 15.7 /24.9 | 15.6 /24.9 | 15.1 /24.9 | 15.0 /24.9 | 24.9 |

1. The rated loads determined according to EN13000 rating on the condition that the machine is stationed on firm, level ground.
2. The figures surrounded by bold lines are based on factors other than those which would cause a tipping condition.
3. To calculate the maximum load that can actually be lifted, deduct weight of all lifting accessories, such as boom hook and jib hook, from figures shown above.
4. Working radius is the horizontal distance from the slewing center to the center of gravity of a lifted load.
5. The offset angles shown are of jib boom offset angle against the main boom, under load.
6. The counter weight is 65.4 ton. (Superstructure 56.4ton + Undercarriage 9.0 ton)
7. Correlation between the number of reeved lines, maximum rated loads, hook weights are shown in the table below.

| Hook Capacity (t) | Hook Weight (t) | Maximum rated loads (t) | | | | | |
|-------------------|-----------------|-------------------------|--------|--------|--------|--------|-------|
| | | 6falls | 5falls | 4falls | 3falls | 2falls | 1fall |
| 150 | 2.35 | 81.0 | 67.5 | 54.0 | 40.5 | 27.0 | |
| 80 | 1.35 | 80.0 | 67.5 | 54.0 | 40.5 | 27.0 | |
| 35 | 0.90 | | | | 35.0 | 27.0 | |
| 13.5 | 0.62 | | | | | | 13.5 |

■ Main Boom with Crane Jib



| | | | | | | | | | Unit: ton |
|----------------------------------|------------|------------|------------|------------|------------|------------|------------|------------|----------------------------------|
| Boom length (m) | 30 | | | | | | | | Boom length (m) |
| Jib length (m) | 10 | | 16 | | 22 | | 28 | | Jib length (m) |
| Offset angle (deg) Radius (m) | 10 | 30 | 10 | 30 | 10 | 30 | 10 | 30 | Offset angle (deg) Radius (m) |
| 7.4 | 72.0 | 72.0 | 72.0 | 72.0 | 72.0 | 72.0 | 72.0 | 72.0 | 7.4 |
| 8.0 | 72.0 | 72.0 | 72.0 | 72.0 | 72.0 | 72.0 | 72.0 | 72.0 | 8.0 |
| 9.0 | 72.0 | 72.0 | 72.0 | 71.3 | 71.2 | 70.1 | 70.3 | 68.9 | 9.0 |
| 10.0 | 61.9 | 61.6 | 61.3 | 60.7 | 60.6 | 59.7 | 59.8 | 58.5 | 10.0 |
| 12.0 | 47.5 | 47.2 | 46.9 | 46.4 | 46.2 | 45.5 | 45.5 | 44.5 | 12.0 |
| 14.0 | 38.1 | 37.9 | 37.5 | 37.2 | 36.9 | 36.4 | 36.2 | 35.5 | 14.0 |
| 16.0 | 31.5 | 31.4 | 31.0 | 30.7 | 30.4 | 30.0 | 29.7 | 29.1 | 16.0 |
| 18.0 | 26.7 | 26.6 | 26.2 | 25.9 | 25.6 | 25.2 | 24.9 | 24.5 | 18.0 |
| 20.0 | 23.0 | 22.9 | 22.4 | 22.3 | 21.9 | 21.6 | 21.2 | 20.9 | 20.0 |
| 22.0 | 20.0 | 19.9 | 19.5 | 19.4 | 19.0 | 18.8 | 18.3 | 18.1 | 22.0 |
| 24.0 | 17.6 | 17.6 | 17.1 | 17.0 | 16.6 | 16.4 | 16.0 | 15.8 | 24.0 |
| 26.0 | 15.6 | 15.6 | 15.2 | 15.1 | 14.6 | 14.5 | 14.0 | 13.9 | 26.0 |
| 28.0 | 14.4 /27.5 | 14.3 /27.5 | 13.9 /27.5 | 13.9 /27.5 | 13.4 /27.5 | 13.3 /27.5 | 12.8 /27.5 | 12.7 /27.5 | 28.0 |

| | | | | | | | | | Unit: ton |
|----------------------------------|------------|------------|------------|------------|------------|------------|------------|------------|----------------------------------|
| Boom length (m) | 33 | | | | | | | | Boom length (m) |
| Jib length (m) | 10 | | 16 | | 22 | | 28 | | Jib length (m) |
| Offset angle (deg) Radius (m) | 10 | 30 | 10 | 30 | 10 | 30 | 10 | 30 | Offset angle (deg) Radius (m) |
| 7.4 | 72.0 /7.9 | 72.0 /7.9 | 72.0 /7.9 | 72.0 /7.9 | 72.0 /7.9 | 72.0 /7.9 | 72.0 /7.9 | 72.0 /7.9 | 7.4 |
| 8.0 | 72.0 | 72.0 | 72.0 | 72.0 | 72.0 | 72.0 | 72.0 | 72.0 | 8.0 |
| 9.0 | 71.5 | 71.1 | 70.7 | 70.1 | 69.9 | 68.9 | 68.9 | 67.6 | 9.0 |
| 10.0 | 61.9 | 61.5 | 61.3 | 60.6 | 60.6 | 59.6 | 59.8 | 58.5 | 10.0 |
| 12.0 | 47.4 | 47.1 | 46.8 | 46.3 | 46.2 | 45.5 | 45.5 | 44.5 | 12.0 |
| 14.0 | 38.0 | 37.8 | 37.4 | 37.1 | 36.8 | 36.3 | 36.2 | 35.4 | 14.0 |
| 16.0 | 31.4 | 31.2 | 30.9 | 30.6 | 30.3 | 29.9 | 29.7 | 29.1 | 16.0 |
| 18.0 | 26.6 | 26.4 | 26.1 | 25.8 | 25.5 | 25.1 | 24.9 | 24.4 | 18.0 |
| 20.0 | 22.8 | 22.7 | 22.4 | 22.2 | 21.8 | 21.5 | 21.2 | 20.8 | 20.0 |
| 22.0 | 19.9 | 19.8 | 19.4 | 19.3 | 18.9 | 18.6 | 18.3 | 18.0 | 22.0 |
| 24.0 | 17.5 | 17.4 | 17.0 | 16.9 | 16.5 | 16.3 | 15.9 | 15.7 | 24.0 |
| 26.0 | 15.5 | 15.5 | 15.1 | 15.0 | 14.5 | 14.4 | 14.0 | 13.8 | 26.0 |
| 28.0 | 13.9 | 13.8 | 13.4 | 13.3 | 12.9 | 12.8 | 12.3 | 12.2 | 28.0 |
| 30.0 | 12.5 | 12.4 | 12.0 | 12.0 | 11.5 | 11.5 | 11.0 | 10.9 | 30.0 |
| 30.1 | 12.4 /30.1 | 12.4 /30.1 | 12.0 /30.1 | 11.9 /30.1 | 11.5 /30.1 | 11.4 /30.1 | 10.9 /30.1 | 10.8 /30.1 | 30.1 |

• For notes about the table above, refer to page 23.

■ Main Boom with Crane Jib



| | | | | | | | | | Unit: ton |
|--------------------|------------|------------|------------|------------|-----------|-----------|-----------|-----------|--------------------|
| Boom length (m) | 36 | | | | | | | | Boom length (m) |
| Jib length (m) | 10 | | 16 | | 22 | | 28 | | Jib length (m) |
| Offset angle (deg) | 10 | 30 | 10 | 30 | 10 | 30 | 10 | 30 | Offset angle (deg) |
| Radius (m) | | | | | | | | | Radius (m) |
| 8.5 | 60.0 | 60.0 | 60.0 | 60.0 | 60.0 | 60.0 | 60.0 | 60.0 | 8.5 |
| 9.0 | 60.0 | 60.0 | 60.0 | 60.0 | 60.0 | 60.0 | 60.0 | 60.0 | 9.0 |
| 10.0 | 60.0 | 60.0 | 60.0 | 60.0 | 60.0 | 59.2 | 59.2 | 58.0 | 10.0 |
| 12.0 | 47.3 | 47.0 | 46.7 | 46.3 | 46.1 | 45.4 | 45.4 | 44.4 | 12.0 |
| 14.0 | 37.9 | 37.7 | 37.4 | 37.0 | 36.8 | 36.2 | 36.1 | 35.3 | 14.0 |
| 16.0 | 31.3 | 31.1 | 30.8 | 30.5 | 30.2 | 29.8 | 29.6 | 29.0 | 16.0 |
| 18.0 | 26.5 | 26.3 | 26.0 | 25.7 | 25.4 | 25.0 | 24.8 | 24.3 | 18.0 |
| 20.0 | 22.7 | 22.6 | 22.2 | 22.0 | 21.7 | 21.4 | 21.1 | 20.7 | 20.0 |
| 22.0 | 19.8 | 19.7 | 19.3 | 19.1 | 18.8 | 18.5 | 18.2 | 17.9 | 22.0 |
| 24.0 | 17.4 | 17.3 | 16.9 | 16.8 | 16.4 | 16.2 | 15.8 | 15.5 | 24.0 |
| 26.0 | 15.4 | 15.3 | 14.9 | 14.8 | 14.4 | 14.3 | 13.9 | 13.7 | 26.0 |
| 28.0 | 13.7 | 13.7 | 13.3 | 13.2 | 12.8 | 12.6 | 12.2 | 12.1 | 28.0 |
| 30.0 | 12.3 | 12.2 | 11.9 | 11.8 | 11.4 | 11.3 | 10.8 | 10.7 | 30.0 |
| 32.0 | 11.1 | 11.0 | 10.6 | 10.6 | 10.2 | 10.1 | 9.6 | 9.6 | 32.0 |
| 34.0 | 10.7 /32.7 | 10.7 /32.7 | 10.3 /32.7 | 10.2 /32.7 | 9.8 /32.7 | 9.7 /32.7 | 9.3 /32.7 | 9.2 /32.7 | 34.0 |

| | | | | | | | | | Unit: ton |
|--------------------|-----------|-----------|-----------|-----------|-----------|-----------|-----------|-----------|--------------------|
| Boom length (m) | 39 | | | | | | | | Boom length (m) |
| Jib length (m) | 10 | | 16 | | 22 | | 28 | | Jib length (m) |
| Offset angle (deg) | 10 | 30 | 10 | 30 | 10 | 30 | 10 | 30 | Offset angle (deg) |
| Radius (m) | | | | | | | | | Radius (m) |
| 9.0 | 60.0 | 60.0 | 60.0 | 60.0 | 60.0 | 60.0 | 60.0 | 60.0 | 9.0 |
| 10.0 | 60.0 | 60.0 | 59.7 | 59.1 | 58.9 | 58.1 | 58.1 | 56.9 | 10.0 |
| 12.0 | 47.2 | 46.9 | 46.6 | 46.2 | 46.0 | 45.3 | 45.4 | 44.3 | 12.0 |
| 14.0 | 37.8 | 37.5 | 37.3 | 36.9 | 36.7 | 36.1 | 36.1 | 35.2 | 14.0 |
| 16.0 | 31.2 | 31.0 | 30.7 | 30.4 | 30.2 | 29.7 | 29.5 | 28.9 | 16.0 |
| 18.0 | 26.3 | 26.2 | 25.9 | 25.6 | 25.3 | 24.9 | 24.7 | 24.2 | 18.0 |
| 20.0 | 22.6 | 22.5 | 22.1 | 21.9 | 21.6 | 21.3 | 21.0 | 20.6 | 20.0 |
| 22.0 | 19.6 | 19.5 | 19.2 | 19.0 | 18.7 | 18.4 | 18.1 | 17.7 | 22.0 |
| 24.0 | 17.2 | 17.1 | 16.8 | 16.6 | 16.3 | 16.1 | 15.7 | 15.4 | 24.0 |
| 26.0 | 15.2 | 15.2 | 14.8 | 14.7 | 14.3 | 14.1 | 13.8 | 13.5 | 26.0 |
| 28.0 | 13.6 | 13.5 | 13.1 | 13.0 | 12.7 | 12.5 | 12.1 | 11.9 | 28.0 |
| 30.0 | 12.2 | 12.1 | 11.7 | 11.6 | 11.2 | 11.1 | 10.7 | 10.6 | 30.0 |
| 32.0 | 10.9 | 10.9 | 10.5 | 10.4 | 10.0 | 9.9 | 9.5 | 9.4 | 32.0 |
| 34.0 | 9.9 | 9.8 | 9.5 | 9.4 | 9.0 | 8.9 | 8.5 | 8.4 | 34.0 |
| 35.3 | 9.3 /35.3 | 9.2 /35.3 | 8.8 /35.3 | 8.8 /35.3 | 8.4 /35.3 | 8.3 /35.3 | 7.9 /35.3 | 7.8 /35.3 | 35.3 |

• For notes about the table above, refer to page 23.

■ Main Boom with Crane Jib



| | | | | | | | | | Unit: ton |
|----------------------------------|-----------|-----------|-----------|-----------|-----------|-----------|-----------|-----------|----------------------------------|
| Boom length (m) | 42 | | | | | | | | Boom length (m) |
| Jib length (m) | 10 | | 16 | | 22 | | 28 | | Jib length (m) |
| Offset angle (deg) Radius (m) | 10 | 30 | 10 | 30 | 10 | 30 | 10 | 30 | Offset angle (deg) Radius (m) |
| 9.6 | 48.0 | 48.0 | 48.0 | 48.0 | 48.0 | 48.0 | 48.0 | 48.0 | 9.6 |
| 10.0 | 48.0 | 48.0 | 48.0 | 48.0 | 48.0 | 48.0 | 48.0 | 48.0 | 10.0 |
| 12.0 | 47.1 | 46.9 | 46.6 | 46.1 | 46.0 | 45.3 | 45.4 | 44.3 | 12.0 |
| 14.0 | 37.7 | 37.5 | 37.2 | 36.8 | 36.7 | 36.1 | 36.1 | 35.2 | 14.0 |
| 16.0 | 31.1 | 31.0 | 30.7 | 30.3 | 30.1 | 29.6 | 29.5 | 28.9 | 16.0 |
| 18.0 | 26.3 | 26.1 | 25.8 | 25.5 | 25.3 | 24.9 | 24.7 | 24.1 | 18.0 |
| 20.0 | 22.5 | 22.4 | 22.1 | 21.8 | 21.6 | 21.2 | 21.0 | 20.5 | 20.0 |
| 22.0 | 19.6 | 19.4 | 19.1 | 18.9 | 18.6 | 18.3 | 18.1 | 17.7 | 22.0 |
| 24.0 | 17.2 | 17.1 | 16.7 | 16.5 | 16.2 | 16.0 | 15.7 | 15.4 | 24.0 |
| 26.0 | 15.2 | 15.1 | 14.7 | 14.6 | 14.3 | 14.0 | 13.7 | 13.4 | 26.0 |
| 28.0 | 13.5 | 13.4 | 13.1 | 12.9 | 12.6 | 12.4 | 12.1 | 11.8 | 28.0 |
| 30.0 | 12.1 | 12.0 | 11.6 | 11.5 | 11.2 | 11.0 | 10.7 | 10.5 | 30.0 |
| 32.0 | 10.8 | 10.8 | 10.4 | 10.3 | 10.0 | 9.8 | 9.5 | 9.3 | 32.0 |
| 34.0 | 9.8 | 9.7 | 9.4 | 9.3 | 8.9 | 8.8 | 8.4 | 8.3 | 34.0 |
| 36.0 | 8.8 | 8.8 | 8.4 | 8.4 | 8.0 | 7.9 | 7.5 | 7.4 | 36.0 |
| 38.0 | 8.0 /37.9 | 8.0 /37.9 | 7.6 /37.9 | 7.6 /37.9 | 7.2 /37.9 | 7.2 /37.9 | 6.7 /37.9 | 6.7 /37.9 | 38.0 |

| | | | | | | | | | Unit: ton |
|----------------------------------|------------|------------|------------|------------|------------|------------|------------|------------|----------------------------------|
| Boom length (m) | 45 | | | | | | | | Boom length (m) |
| Jib length (m) | 10 | | 16 | | 22 | | 28 | | Jib length (m) |
| Offset angle (deg) Radius (m) | 10 | 30 | 10 | 30 | 10 | 30 | 10 | 30 | Offset angle (deg) Radius (m) |
| 10.0 | 48.0 /10.1 | 48.0 /10.1 | 48.0 /10.1 | 48.0 /10.1 | 48.0 /10.1 | 48.0 /10.1 | 48.0 /10.1 | 48.0 /10.1 | 10.0 |
| 12.0 | 46.7 | 46.4 | 46.1 | 45.6 | 45.4 | 44.7 | 44.6 | 43.7 | 12.0 |
| 14.0 | 37.6 | 37.3 | 37.1 | 36.7 | 36.5 | 35.9 | 35.9 | 35.1 | 14.0 |
| 16.0 | 31.0 | 30.8 | 30.5 | 30.1 | 30.0 | 29.5 | 29.4 | 28.7 | 16.0 |
| 18.0 | 26.1 | 25.9 | 25.6 | 25.3 | 25.1 | 24.7 | 24.6 | 24.0 | 18.0 |
| 20.0 | 22.3 | 22.2 | 21.9 | 21.6 | 21.4 | 21.0 | 20.8 | 20.4 | 20.0 |
| 22.0 | 19.4 | 19.2 | 18.9 | 18.7 | 18.4 | 18.1 | 17.9 | 17.5 | 22.0 |
| 24.0 | 17.0 | 16.8 | 16.5 | 16.3 | 16.0 | 15.8 | 15.5 | 15.2 | 24.0 |
| 26.0 | 15.0 | 14.9 | 14.5 | 14.4 | 14.1 | 13.8 | 13.5 | 13.2 | 26.0 |
| 28.0 | 13.3 | 13.2 | 12.9 | 12.7 | 12.4 | 12.2 | 11.9 | 11.6 | 28.0 |
| 30.0 | 11.8 | 11.8 | 11.4 | 11.3 | 11.0 | 10.8 | 10.5 | 10.3 | 30.0 |
| 32.0 | 10.6 | 10.6 | 10.2 | 10.1 | 9.8 | 9.6 | 9.3 | 9.1 | 32.0 |
| 34.0 | 9.5 | 9.5 | 9.1 | 9.1 | 8.7 | 8.6 | 8.2 | 8.1 | 34.0 |
| 36.0 | 8.6 | 8.6 | 8.2 | 8.1 | 7.8 | 7.7 | 7.3 | 7.2 | 36.0 |
| 38.0 | 7.8 | 7.7 | 7.4 | 7.3 | 7.0 | 6.9 | 6.5 | 6.4 | 38.0 |
| 40.0 | 7.0 | 7.0 | 6.7 | 6.6 | 6.2 | 6.2 | 5.8 | 5.7 | 40.0 |
| 40.5 | 6.9 /40.5 | 6.8 /40.5 | 6.5 /40.5 | 6.5 /40.5 | 6.1 /40.5 | 6.0 /40.5 | 5.6 /40.5 | 5.6 /40.5 | 40.5 |

• For notes about the table above, refer to page 23.

■ Main Boom with Crane Jib



| | | | | | | | | | Unit: ton |
|--------------------|-----------|-----------|-----------|-----------|-----------|-----------|-----------|-----------|--------------------|
| Boom length (m) | 48 | | | | | | | | Boom length (m) |
| Jib length (m) | 10 | | 16 | | 22 | | 28 | | Jib length (m) |
| Offset angle (deg) | 10 | 30 | 10 | 30 | 10 | 30 | 10 | 30 | Offset angle (deg) |
| Radius (m) | | | | | | | | | Radius (m) |
| 10.6 | 36.0 | 36.0 | 36.0 | 36.0 | 36.0 | 36.0 | 36.0 | 36.0 | 10.6 |
| 12.0 | 36.0 | 36.0 | 36.0 | 36.0 | 36.0 | 36.0 | 36.0 | 36.0 | 12.0 |
| 14.0 | 36.0 | 36.0 | 36.0 | 36.0 | 36.0 | 36.0 | 35.9 | 35.0 | 14.0 |
| 16.0 | 30.9 | 30.7 | 30.5 | 30.1 | 29.9 | 29.4 | 29.4 | 28.7 | 16.0 |
| 18.0 | 26.0 | 25.9 | 25.6 | 25.3 | 25.1 | 24.7 | 24.5 | 23.9 | 18.0 |
| 20.0 | 22.3 | 22.1 | 21.8 | 21.6 | 21.4 | 21.0 | 20.8 | 20.3 | 20.0 |
| 22.0 | 19.3 | 19.2 | 18.9 | 18.7 | 18.4 | 18.1 | 17.9 | 17.4 | 22.0 |
| 24.0 | 16.9 | 16.8 | 16.5 | 16.3 | 16.0 | 15.7 | 15.5 | 15.1 | 24.0 |
| 26.0 | 14.9 | 14.8 | 14.5 | 14.3 | 14.0 | 13.8 | 13.5 | 13.2 | 26.0 |
| 28.0 | 13.2 | 13.1 | 12.8 | 12.7 | 12.3 | 12.1 | 11.9 | 11.6 | 28.0 |
| 30.0 | 11.8 | 11.7 | 11.4 | 11.2 | 10.9 | 10.7 | 10.4 | 10.2 | 30.0 |
| 32.0 | 10.5 | 10.5 | 10.1 | 10.0 | 9.7 | 9.5 | 9.2 | 9.0 | 32.0 |
| 34.0 | 9.5 | 9.4 | 9.1 | 9.0 | 8.6 | 8.5 | 8.2 | 8.0 | 34.0 |
| 36.0 | 8.5 | 8.5 | 8.1 | 8.0 | 7.7 | 7.6 | 7.2 | 7.1 | 36.0 |
| 38.0 | 7.7 | 7.6 | 7.3 | 7.2 | 6.9 | 6.8 | 6.4 | 6.3 | 38.0 |
| 40.0 | 6.9 | 6.9 | 6.6 | 6.5 | 6.1 | 6.1 | 5.7 | 5.6 | 40.0 |
| 42.0 | 6.3 | 6.2 | 5.9 | 5.9 | 5.5 | 5.4 | 5.0 | 5.0 | 42.0 |
| 44.0 | 5.9 /43.1 | 5.9 /43.1 | 5.6 /43.1 | 5.5 /43.1 | 5.1 /43.1 | 5.1 /43.1 | 4.7 /43.1 | 4.7 /43.1 | 44.0 |

| | | | | | | | | | Unit: ton |
|--------------------|------------|------------|------------|------------|------------|------------|------------|------------|--------------------|
| Boom length (m) | 51 | | | | | | | | Boom length (m) |
| Jib length (m) | 10 | | 16 | | 22 | | 28 | | Jib length (m) |
| Offset angle (deg) | 10 | 30 | 10 | 30 | 10 | 30 | 10 | 30 | Offset angle (deg) |
| Radius (m) | | | | | | | | | Radius (m) |
| 10.6 | 36.0 /11.2 | 36.0 /11.2 | 36.0 /11.2 | 36.0 /11.2 | 36.0 /11.2 | 36.0 /11.2 | 36.0 /11.2 | 36.0 /11.2 | 10.6 |
| 12.0 | 36.0 | 36.0 | 36.0 | 36.0 | 36.0 | 36.0 | 36.0 | 36.0 | 12.0 |
| 14.0 | 36.0 | 36.0 | 36.0 | 36.0 | 36.0 | 35.6 | 35.5 | 34.7 | 14.0 |
| 16.0 | 30.8 | 30.6 | 30.3 | 30.0 | 29.8 | 29.3 | 29.3 | 28.5 | 16.0 |
| 18.0 | 25.9 | 25.7 | 25.4 | 25.1 | 25.0 | 24.5 | 24.4 | 23.8 | 18.0 |
| 20.0 | 22.1 | 22.0 | 21.7 | 21.4 | 21.2 | 20.8 | 20.7 | 20.2 | 20.0 |
| 22.0 | 19.2 | 19.0 | 18.7 | 18.5 | 18.3 | 17.9 | 17.8 | 17.3 | 22.0 |
| 24.0 | 16.7 | 16.6 | 16.3 | 16.1 | 15.9 | 15.6 | 15.4 | 15.0 | 24.0 |
| 26.0 | 14.7 | 14.6 | 14.3 | 14.1 | 13.9 | 13.6 | 13.4 | 13.0 | 26.0 |
| 28.0 | 13.0 | 13.0 | 12.6 | 12.5 | 12.2 | 12.0 | 11.7 | 11.4 | 28.0 |
| 30.0 | 11.6 | 11.5 | 11.2 | 11.1 | 10.8 | 10.6 | 10.3 | 10.0 | 30.0 |
| 32.0 | 10.4 | 10.3 | 10.0 | 9.9 | 9.5 | 9.4 | 9.1 | 8.9 | 32.0 |
| 34.0 | 9.3 | 9.2 | 8.9 | 8.8 | 8.5 | 8.3 | 8.0 | 7.8 | 34.0 |
| 36.0 | 8.3 | 8.3 | 8.0 | 7.9 | 7.5 | 7.4 | 7.1 | 6.9 | 36.0 |
| 38.0 | 7.5 | 7.5 | 7.1 | 7.1 | 6.7 | 6.6 | 6.3 | 6.1 | 38.0 |
| 40.0 | 6.8 | 6.7 | 6.4 | 6.3 | 6.0 | 5.9 | 5.5 | 5.4 | 40.0 |
| 42.0 | 6.1 | 6.1 | 5.7 | 5.7 | 5.3 | 5.2 | 4.9 | 4.8 | 42.0 |
| 44.0 | 5.5 | 5.5 | 5.1 | 5.1 | 4.7 | 4.7 | 4.3 | 4.2 | 44.0 |
| 45.7 | 5.0 /45.7 | 5.0 /45.7 | 4.7 /45.7 | 4.6 /45.7 | 4.3 /45.7 | 4.2 /45.7 | 3.8 /45.7 | 3.8 /45.7 | 45.7 |

• For notes about the table above, refer to page 23.

■ Main Boom with Crane Jib



| | | | | | | | | | Unit: ton |
|--------------------|------------|------------|------------|------------|------------|------------|------------|------------|--------------------|
| Boom length (m) | 54 | | | | | | | | Boom length (m) |
| Jib length (m) | 10 | | 16 | | 22 | | 28 | | Jib length (m) |
| Offset angle (deg) | 10 | 30 | 10 | 30 | 10 | 30 | 10 | 30 | Offset angle (deg) |
| Radius (m) | | | | | | | | | Radius (m) |
| 11.7 | 36.0 | 36.0 | 36.0 | 36.0 | 36.0 | 36.0 | 35.9 | 35.6 | 11.7 |
| 12.0 | 36.0 | 36.0 | 36.0 | 36.0 | 36.0 | 36.0 | 35.5 | 35.3 | 12.0 |
| 14.0 | 36.0 | 36.0 | 35.2 | 35.2 | 34.1 | 34.1 | 32.9 | 32.9 | 14.0 |
| 16.0 | 30.6 | 30.4 | 30.1 | 29.8 | 29.6 | 29.1 | 29.1 | 28.3 | 16.0 |
| 18.0 | 25.7 | 25.5 | 25.3 | 24.9 | 24.8 | 24.3 | 24.2 | 23.6 | 18.0 |
| 20.0 | 21.9 | 21.8 | 21.5 | 21.2 | 21.0 | 20.6 | 20.5 | 20.0 | 20.0 |
| 22.0 | 18.9 | 18.8 | 18.5 | 18.3 | 18.1 | 17.7 | 17.6 | 17.1 | 22.0 |
| 24.0 | 16.5 | 16.4 | 16.1 | 15.9 | 15.7 | 15.4 | 15.2 | 14.8 | 24.0 |
| 26.0 | 14.5 | 14.4 | 14.1 | 13.9 | 13.7 | 13.4 | 13.2 | 12.8 | 26.0 |
| 28.0 | 12.8 | 12.7 | 12.4 | 12.3 | 12.0 | 11.8 | 11.5 | 11.2 | 28.0 |
| 30.0 | 11.4 | 11.3 | 11.0 | 10.9 | 10.6 | 10.4 | 10.1 | 9.8 | 30.0 |
| 32.0 | 10.2 | 10.1 | 9.8 | 9.6 | 9.3 | 9.2 | 8.9 | 8.6 | 32.0 |
| 34.0 | 9.1 | 9.0 | 8.7 | 8.6 | 8.3 | 8.1 | 7.8 | 7.6 | 34.0 |
| 36.0 | 8.1 | 8.1 | 7.7 | 7.6 | 7.3 | 7.2 | 6.9 | 6.7 | 36.0 |
| 38.0 | 7.3 | 7.2 | 6.9 | 6.8 | 6.5 | 6.4 | 6.0 | 5.9 | 38.0 |
| 40.0 | 6.5 | 6.5 | 6.2 | 6.1 | 5.8 | 5.7 | 5.3 | 5.2 | 40.0 |
| 42.0 | 5.9 | 5.8 | 5.5 | 5.4 | 5.1 | 5.0 | 4.7 | 4.6 | 42.0 |
| 44.0 | 5.3 | 5.2 | 4.9 | 4.8 | 4.5 | 4.4 | 4.1 | 4.0 | 44.0 |
| 46.0 | 4.7 | 4.7 | 4.4 | 4.3 | 4.0 | 3.9 | 3.5 | 3.5 | 46.0 |
| 48.0 | 4.2 | 4.2 | 3.9 | 3.8 | 3.5 | 3.4 | 3.1 | 3.0 | 48.0 |
| 50.0 | 4.2 / 48.3 | 4.1 / 48.3 | 3.8 / 48.3 | 3.8 / 48.3 | 3.4 / 48.3 | 3.4 / 48.3 | 3.0 / 48.3 | 3.0 / 48.3 | 50.0 |

| | | | | | | | | | Unit: ton |
|--------------------|-------------|-------------|-------------|-------------|-------------|-------------|-------------|-------------|--------------------|
| Boom length (m) | 57 | | | | | | | | Boom length (m) |
| Jib length (m) | 10 | | 16 | | 22 | | 28 | | Jib length (m) |
| Offset angle (deg) | 10 | 30 | 10 | 30 | 10 | 30 | 10 | 30 | Offset angle (deg) |
| Radius (m) | | | | | | | | | Radius (m) |
| 12.0 | 35.2 / 12.3 | 35.1 / 12.3 | 34.1 / 12.3 | 34.1 / 12.3 | 33.0 / 12.3 | 32.8 / 12.3 | 31.7 / 12.3 | 31.4 / 12.3 | 12.0 |
| 14.0 | 33.0 | 32.9 | 32.0 | 32.0 | 30.9 | 30.9 | 29.7 | 29.6 | 14.0 |
| 16.0 | 30.4 | 30.2 | 29.6 | 29.6 | 28.6 | 28.6 | 27.5 | 27.5 | 16.0 |
| 18.0 | 25.5 | 25.4 | 25.1 | 24.8 | 24.6 | 24.2 | 24.1 | 23.5 | 18.0 |
| 20.0 | 21.8 | 21.6 | 21.3 | 21.1 | 20.9 | 20.5 | 20.4 | 19.8 | 20.0 |
| 22.0 | 18.8 | 18.6 | 18.4 | 18.1 | 17.9 | 17.6 | 17.4 | 16.9 | 22.0 |
| 24.0 | 16.4 | 16.2 | 16.0 | 15.7 | 15.5 | 15.2 | 15.0 | 14.6 | 24.0 |
| 26.0 | 14.4 | 14.2 | 14.0 | 13.8 | 13.5 | 13.2 | 13.0 | 12.7 | 26.0 |
| 28.0 | 12.7 | 12.6 | 12.3 | 12.1 | 11.8 | 11.6 | 11.4 | 11.0 | 28.0 |
| 30.0 | 11.2 | 11.1 | 10.8 | 10.7 | 10.4 | 10.2 | 9.9 | 9.7 | 30.0 |
| 32.0 | 10.0 | 9.9 | 9.6 | 9.5 | 9.2 | 9.0 | 8.7 | 8.5 | 32.0 |
| 34.0 | 8.9 | 8.8 | 8.5 | 8.4 | 8.1 | 7.9 | 7.7 | 7.4 | 34.0 |
| 36.0 | 8.0 | 7.9 | 7.6 | 7.5 | 7.2 | 7.0 | 6.7 | 6.5 | 36.0 |
| 38.0 | 7.1 | 7.1 | 6.7 | 6.6 | 6.3 | 6.2 | 5.9 | 5.7 | 38.0 |
| 40.0 | 6.4 | 6.3 | 6.0 | 5.9 | 5.6 | 5.5 | 5.1 | 5.0 | 40.0 |
| 42.0 | 5.7 | 5.6 | 5.3 | 5.3 | 4.9 | 4.8 | 4.5 | 4.4 | 42.0 |
| 44.0 | 5.1 | 5.0 | 4.7 | 4.7 | 4.3 | 4.2 | 3.9 | 3.8 | 44.0 |
| 46.0 | 4.5 | 4.5 | 4.2 | 4.1 | 3.8 | 3.7 | 3.4 | 3.3 | 46.0 |
| 48.0 | 4.1 | 4.0 | 3.7 | 3.7 | 3.3 | 3.3 | 2.9 | 2.8 | 48.0 |
| 50.0 | 3.6 | 3.6 | 3.3 | 3.2 | 2.9 | 2.8 | 2.5 | 2.4 | 50.0 |
| 50.9 | 3.4 / 50.9 | 3.4 / 50.9 | 3.1 / 50.9 | 3.0 / 50.9 | 2.7 / 50.9 | 2.7 / 50.9 | 2.3 / 50.9 | 2.2 / 50.9 | 50.9 |

• For notes about the table above, refer to page 23.

■ Main Boom with Crane Jib



| | | | | | | | | | Unit: ton |
|--------------------|-----------|-----------|-----------|-----------|-----------|-----------|------|------|--------------------|
| Boom length (m) | 60 | | | | | | | | Boom length (m) |
| Jib length (m) | 10 | | 16 | | 22 | | 28 | | Jib length (m) |
| Offset angle (deg) | 10 | 30 | 10 | 30 | 10 | 30 | 10 | 30 | Offset angle (deg) |
| Radius (m) | | | | | | | | | Radius (m) |
| 12.9 | 24.0 | 24.0 | 24.0 | 24.0 | 24.0 | 24.0 | 24.0 | 24.0 | 12.9 |
| 14.0 | 24.0 | 24.0 | 24.0 | 24.0 | 24.0 | 24.0 | 24.0 | 24.0 | 14.0 |
| 16.0 | 24.0 | 24.0 | 24.0 | 24.0 | 24.0 | 24.0 | 24.0 | 24.0 | 16.0 |
| 18.0 | 24.0 | 24.0 | 24.0 | 24.0 | 23.3 | 23.3 | 22.3 | 22.4 | 18.0 |
| 20.0 | 21.7 | 21.6 | 21.3 | 21.1 | 20.9 | 20.5 | 20.4 | 19.8 | 20.0 |
| 22.0 | 18.7 | 18.6 | 18.3 | 18.1 | 17.9 | 17.5 | 17.4 | 16.9 | 22.0 |
| 24.0 | 16.3 | 16.2 | 15.9 | 15.7 | 15.5 | 15.2 | 15.0 | 14.6 | 24.0 |
| 26.0 | 14.3 | 14.2 | 13.9 | 13.7 | 13.5 | 13.2 | 13.0 | 12.6 | 26.0 |
| 28.0 | 12.6 | 12.5 | 12.2 | 12.0 | 11.8 | 11.5 | 11.3 | 11.0 | 28.0 |
| 30.0 | 11.2 | 11.1 | 10.8 | 10.6 | 10.3 | 10.1 | 9.9 | 9.6 | 30.0 |
| 32.0 | 9.9 | 9.8 | 9.5 | 9.4 | 9.1 | 8.9 | 8.7 | 8.4 | 32.0 |
| 34.0 | 8.8 | 8.7 | 8.4 | 8.3 | 8.0 | 7.8 | 7.6 | 7.3 | 34.0 |
| 36.0 | 7.9 | 7.8 | 7.5 | 7.4 | 7.1 | 6.9 | 6.6 | 6.4 | 36.0 |
| 38.0 | 7.0 | 7.0 | 6.6 | 6.5 | 6.2 | 6.1 | 5.8 | 5.6 | 38.0 |
| 40.0 | 6.3 | 6.2 | 5.9 | 5.8 | 5.5 | 5.4 | 5.1 | 4.9 | 40.0 |
| 42.0 | 5.6 | 5.5 | 5.2 | 5.1 | 4.8 | 4.7 | 4.4 | 4.3 | 42.0 |
| 44.0 | 5.0 | 4.9 | 4.6 | 4.5 | 4.2 | 4.1 | 3.8 | 3.7 | 44.0 |
| 46.0 | 4.4 | 4.4 | 4.1 | 4.0 | 3.7 | 3.6 | 3.3 | 3.2 | 46.0 |
| 48.0 | 3.9 | 3.9 | 3.6 | 3.5 | 3.2 | 3.1 | 2.8 | 2.7 | 48.0 |
| 50.0 | 3.5 | 3.4 | 3.1 | 3.1 | 2.7 | 2.7 | 2.3 | 2.3 | 50.0 |
| 52.0 | 3.0 | 3.0 | 2.7 | 2.7 | 2.3 | 2.3 | 1.9 | 1.9 | 52.0 |
| 54.0 | 2.8 /53.2 | 2.8 /53.2 | 2.5 /53.2 | 2.4 /53.2 | 2.1 /53.2 | 2.1 /53.2 | | | 54.0 |

| | | | | | | | | | Unit: ton |
|--------------------|------------|------------|------------|------------|------------|------------|------------|------------|--------------------|
| Boom length (m) | 63 | | | | | | | | Boom length (m) |
| Jib length (m) | 10 | | 16 | | 22 | | 28 | | Jib length (m) |
| Offset angle (deg) | 10 | 30 | 10 | 30 | 10 | 30 | 10 | 30 | Offset angle (deg) |
| Radius (m) | | | | | | | | | Radius (m) |
| 12.9 | 24.0 /13.5 | 24.0 /13.5 | 24.0 /13.5 | 24.0 /13.5 | 24.0 /13.5 | 24.0 /13.5 | 23.8 /13.5 | 23.6 /13.5 | 12.9 |
| 14.0 | 24.0 | 24.0 | 24.0 | 24.0 | 24.0 | 24.0 | 23.3 | 23.2 | 14.0 |
| 16.0 | 24.0 | 24.0 | 23.5 | 23.5 | 22.6 | 22.6 | 21.6 | 21.5 | 16.0 |
| 18.0 | 22.5 | 22.5 | 21.7 | 21.7 | 20.9 | 20.9 | 19.9 | 19.9 | 18.0 |
| 20.0 | 20.7 | 20.8 | 20.0 | 20.1 | 19.3 | 19.3 | 18.3 | 18.4 | 20.0 |
| 22.0 | 18.5 | 18.4 | 18.1 | 17.9 | 17.7 | 17.3 | 16.9 | 16.7 | 22.0 |
| 24.0 | 16.1 | 16.0 | 15.7 | 15.5 | 15.3 | 15.0 | 14.8 | 14.4 | 24.0 |
| 26.0 | 14.1 | 14.0 | 13.7 | 13.5 | 13.3 | 13.0 | 12.8 | 12.4 | 26.0 |
| 28.0 | 12.4 | 12.3 | 12.0 | 11.8 | 11.6 | 11.3 | 11.1 | 10.8 | 28.0 |
| 30.0 | 10.9 | 10.8 | 10.6 | 10.4 | 10.1 | 9.9 | 9.7 | 9.4 | 30.0 |
| 32.0 | 9.7 | 9.6 | 9.3 | 9.2 | 8.9 | 8.7 | 8.5 | 8.2 | 32.0 |
| 34.0 | 8.6 | 8.5 | 8.2 | 8.1 | 7.8 | 7.6 | 7.4 | 7.1 | 34.0 |
| 36.0 | 7.6 | 7.6 | 7.3 | 7.2 | 6.9 | 6.7 | 6.4 | 6.2 | 36.0 |
| 38.0 | 6.8 | 6.7 | 6.4 | 6.3 | 6.0 | 5.9 | 5.6 | 5.4 | 38.0 |
| 40.0 | 6.0 | 6.0 | 5.7 | 5.6 | 5.3 | 5.1 | 4.8 | 4.7 | 40.0 |
| 42.0 | 5.4 | 5.3 | 5.0 | 4.9 | 4.6 | 4.5 | 4.2 | 4.0 | 42.0 |
| 44.0 | 4.8 | 4.7 | 4.4 | 4.3 | 4.0 | 3.9 | 3.6 | 3.4 | 44.0 |
| 46.0 | 4.2 | 4.2 | 3.8 | 3.8 | 3.4 | 3.4 | 3.0 | 2.9 | 46.0 |
| 48.0 | 3.7 | 3.7 | 3.3 | 3.3 | 3.0 | 2.9 | 2.5 | 2.4 | 48.0 |
| 50.0 | 3.2 | 3.2 | 2.9 | 2.8 | 2.5 | 2.4 | 2.1 | 2.0 | 50.0 |
| 52.0 | 2.8 | 2.8 | 2.5 | 2.4 | 2.1 | 2.0 | 1.9 /51.0 | 1.9 /50.5 | 52.0 |
| 54.0 | 2.4 | 2.4 | 2.1 | 2.1 | 1.9 /53.0 | 1.9 /52.6 | | | 54.0 |
| 55.8 | 2.1 /55.8 | 2.1 /55.8 | 1.9 /55.2 | 1.9 /54.9 | | | | | 55.8 |

• For notes about the table above, refer to page 23.

■ Main Boom (Using Third Winch)



| Working Radius(m) | Boom length (m) | | | | | | | | | | | Unit: ton |
|-------------------|-----------------|-----------|-----------|-----------|-----------|-----------|-----------|-----------|-----------|----------|-----------|-------------------|
| | 15 | 18 | 21 | 24 | 27 | 30 | 33 | 36 | 39 | 42 | 45 | Working Radius(m) |
| 4.5 | 132.0 | | | | | | | | | | | 4.5 |
| 5.0 | 132.0 | 108.0/5.2 | | | | | | | | | | 5.0 |
| 5.5 | 123.5 | 108.0 | 84.0/5.7 | | | | | | | | | 5.5 |
| 6.0 | 113.6 | 108.0 | 84.0 | 72.0/6.3 | 72.0/6.8 | | | | | | | 6.0 |
| 7.0 | 97.7 | 97.6 | 84.0 | 72.0 | 72.0 | 60.0/7.4 | 48.0/7.9 | | | | | 7.0 |
| 8.0 | 85.6 | 85.5 | 84.0 | 72.0 | 72.0 | 60.0 | 48.0 | 48.0/8.5 | | | | 8.0 |
| 9.0 | 73.4 | 73.5 | 74.0 | 72.0 | 72.0 | 60.0 | 48.0 | 48.0 | 48.0 | 36.0/9.6 | | 9.0 |
| 10.0 | 62.8 | 62.9 | 63.4 | 63.4 | 63.3 | 60.0 | 48.0 | 48.0 | 48.0 | 36.0 | 36.0/10.1 | 10.0 |
| 12.0 | 48.5 | 48.5 | 48.9 | 48.9 | 48.8 | 48.8 | 48.0 | 48.0 | 48.0 | 36.0 | 36.0 | 12.0 |
| 14.0 | 39.1 | 39.2 | 39.6 | 39.6 | 39.4 | 39.4 | 39.4 | 39.2 | 39.1 | 36.0 | 36.0 | 14.0 |
| 16.0 | 37.3/14.5 | 32.7 | 33.0 | 33.0 | 32.9 | 32.9 | 32.8 | 32.6 | 32.5 | 32.5 | 32.3 | 16.0 |
| 18.0 | | 29.8/17.1 | 28.2 | 28.2 | 28.1 | 28.0 | 28.0 | 27.8 | 27.7 | 27.6 | 27.4 | 18.0 |
| 20.0 | | | 25.0/19.7 | 24.5 | 24.3 | 24.3 | 24.2 | 24.1 | 23.9 | 23.9 | 23.7 | 20.0 |
| 22.0 | | | | 21.5 | 21.4 | 21.3 | 21.3 | 21.1 | 21.0 | 20.9 | 20.7 | 22.0 |
| 24.0 | | | | 21.1/22.3 | 19.0 | 18.9 | 18.9 | 18.7 | 18.5 | 18.5 | 18.3 | 24.0 |
| 26.0 | | | | | 18.0/24.9 | 16.9 | 16.9 | 16.7 | 16.6 | 16.5 | 16.3 | 26.0 |
| 28.0 | | | | | | 15.7/27.5 | 15.2 | 15.0 | 14.9 | 14.8 | 14.6 | 28.0 |
| 30.0 | | | | | | | 13.8 | 13.6 | 13.4 | 13.4 | 13.2 | 30.0 |
| 32.0 | | | | | | | 13.7/30.1 | 12.3 | 12.2 | 12.1 | 11.9 | 32.0 |
| 34.0 | | | | | | | | 12.0/32.7 | 11.1 | 11.0 | 10.8 | 34.0 |
| 36.0 | | | | | | | | | 10.5/35.3 | 10.1 | 9.9 | 36.0 |
| 38.0 | | | | | | | | | | 9.3/37.9 | 9.0 | 38.0 |
| 40.0 | | | | | | | | | | | 8.3 | 40.0 |
| 42.0 | | | | | | | | | | | 8.1/40.5 | 42.0 |

| Working Radius(m) | Boom length (m) | | | | | | Unit: ton |
|-------------------|-----------------|-----------|-----------|-----------|-----------|-----------|-------------------|
| | 48 | 51 | 54 | 57 | 60 | 63 | Working Radius(m) |
| 10.0 | 36.0/10.6 | 24.0/11.3 | 24.0/11.8 | | | | 10.0 |
| 12.0 | 36.0 | 24.0 | 24.0 | 24.0/12.4 | 24.0/12.9 | 24.0/13.5 | 12.0 |
| 14.0 | 36.0 | 24.0 | 24.0 | 24.0 | 24.0 | 24.0 | 14.0 |
| 16.0 | 32.2 | 24.0 | 24.0 | 24.0 | 24.0 | 24.0 | 16.0 |
| 18.0 | 27.3 | 24.0 | 24.0 | 24.0 | 24.0 | 24.0 | 18.0 |
| 20.0 | 23.5 | 23.5 | 23.3 | 23.1 | 23.0 | 22.8 | 20.0 |
| 22.0 | 20.5 | 20.5 | 20.3 | 20.2 | 20.0 | 19.8 | 22.0 |
| 24.0 | 18.1 | 18.1 | 17.9 | 17.7 | 17.6 | 17.4 | 24.0 |
| 26.0 | 16.1 | 16.1 | 15.9 | 15.7 | 15.5 | 15.3 | 26.0 |
| 28.0 | 14.4 | 14.4 | 14.2 | 14.0 | 13.9 | 13.6 | 28.0 |
| 30.0 | 13.0 | 12.9 | 12.7 | 12.6 | 12.4 | 12.2 | 30.0 |
| 32.0 | 11.8 | 11.7 | 11.5 | 11.3 | 11.2 | 10.9 | 32.0 |
| 34.0 | 10.7 | 10.6 | 10.4 | 10.2 | 10.1 | 9.9 | 34.0 |
| 36.0 | 9.7 | 9.6 | 9.4 | 9.3 | 9.1 | 8.9 | 36.0 |
| 38.0 | 8.9 | 8.8 | 8.6 | 8.4 | 8.3 | 8.0 | 38.0 |
| 40.0 | 8.1 | 8.0 | 7.8 | 7.7 | 7.5 | 7.3 | 40.0 |
| 42.0 | 7.5 | 7.3 | 7.1 | 7.0 | 6.8 | 6.6 | 42.0 |
| 44.0 | 7.1/43.1 | 6.7 | 6.5 | 6.4 | 6.2 | 6.0 | 44.0 |
| 46.0 | | 6.3/45.5 | 6.0 | 5.8 | 5.6 | 5.4 | 46.0 |
| 48.0 | | | 5.5 | 5.3 | 5.1 | 4.9 | 48.0 |
| 50.0 | | | 5.4/48.1 | 4.8 | 4.7 | 4.5 | 50.0 |
| 52.0 | | | | 4.7/50.6 | 4.2 | 4.0 | 52.0 |
| 54.0 | | | | | 4.0/53.2 | 3.6 | 54.0 |
| 56.0 | | | | | | 3.3/55.8 | 56.0 |

1. The rated loads are determined according to EN13000 rating on the condition that the machine is stationed on firm, level ground.
2. The figures surrounded by bold lines are based on factors other than those which would cause a tipping condition.
3. Be sure to attach the hanger sheaves block to the top boom when boom length is 15m.
4. Be sure to remove the hanger sheaves block from the top boom when boom length is 18m or more.
5. To calculate the maximum load that can actually be lifted, deduct weight of all lifting accessories, such as boom hook and jib hook, from figures shown above.
6. Working radius is the horizontal distance from the slewing center to the center of gravity of a lifted load.
7. The counter weight is 65.4ton. (Superstructure 56.4ton + Undercarriage 9.0 ton)
8. Correlation between the number of reeved lines, maximum rated loads, hook weights are shown in the table below.

| Hook Capacity (t) | Hook Weight (t) | Maximum rated loads (t) | | | | | | | | | |
|-------------------|-----------------|-------------------------|---------|--------|--------|--------|--------|--------|--------|--------|--------|
| | | 11falls | 10falls | 9falls | 8falls | 7falls | 6falls | 5falls | 4falls | 3falls | 2falls |
| 150 | 2.35 | 132.0 | 120.0 | 108.0 | 96.0 | 84.0 | 72.0 | 60.0 | 48.0 | 36.0 | 24.0 |
| 80 | 1.35 | | | | | 80.0 | 72.0 | 60.0 | 48.0 | 36.0 | 24.0 |
| 35 | 0.90 | | | | | | | | | 35.0 | 24.0 |

■ Main Boom with Aux. Sheave (Using Third Winch)



| Radius (m) | Boom length (m) | | | | | | | | | | | Unit: ton |
|------------|-----------------|-----------|-----------|-----------|-----------|-----------|-----------|-----------|-----------|----------|-----------|------------|
| | 15 | 18 | 21 | 24 | 27 | 30 | 33 | 36 | 39 | 42 | 45 | Radius (m) |
| 4.5 | 132.0 | | | | | | | | | | | 4.5 |
| 5.0 | 132.0 | 108.0/5.2 | | | | | | | | | | 5.0 |
| 5.5 | 122.6 | 108.0 | 84.0/5.7 | | | | | | | | | 5.5 |
| 6.0 | 112.7 | 108.0 | 84.0 | 72.0/6.3 | 72.0/6.8 | | | | | | | 6.0 |
| 7.0 | 96.9 | 96.8 | 84.0 | 72.0 | 72.0 | 60.0/7.4 | 48.0/7.9 | | | | | 7.0 |
| 8.0 | 84.8 | 84.7 | 84.0 | 72.0 | 72.0 | 60.0 | 48.0 | 48.0/8.5 | | | | 8.0 |
| 9.0 | 73.0 | 73.1 | 73.6 | 72.0 | 72.0 | 60.0 | 48.0 | 48.0 | 48.0 | 36.0/9.6 | | 9.0 |
| 10.0 | 62.4 | 62.5 | 62.9 | 63.0 | 62.8 | 60.0 | 48.0 | 48.0 | 48.0 | 36.0 | 36.0/10.1 | 10.0 |
| 12.0 | 48.1 | 48.1 | 48.5 | 48.5 | 48.4 | 48.4 | 48.0 | 48.0 | 48.0 | 36.0 | 36.0 | 12.0 |
| 14.0 | 38.8 | 38.8 | 39.2 | 39.2 | 39.1 | 39.0 | 39.0 | 38.8 | 38.7 | 36.0 | 36.0 | 14.0 |
| 16.0 | 37.0/14.5 | 32.3 | 32.7 | 32.7 | 32.5 | 32.5 | 32.4 | 32.2 | 32.1 | 32.0 | 31.9 | 16.0 |
| 18.0 | | 29.5/17.1 | 27.9 | 27.9 | 27.7 | 27.6 | 27.6 | 27.4 | 27.2 | 27.2 | 27.0 | 18.0 |
| 20.0 | | | 24.6/19.7 | 24.1 | 24.0 | 23.9 | 23.9 | 23.7 | 23.5 | 23.4 | 23.2 | 20.0 |
| 22.0 | | | | 21.2 | 21.0 | 21.0 | 20.9 | 20.7 | 20.6 | 20.5 | 20.3 | 22.0 |
| 24.0 | | | | 20.8/22.3 | 18.6 | 18.6 | 18.5 | 18.3 | 18.2 | 18.1 | 17.9 | 24.0 |
| 26.0 | | | | | 17.7/24.9 | 16.6 | 16.5 | 16.3 | 16.2 | 16.1 | 15.9 | 26.0 |
| 28.0 | | | | | | 15.3/27.5 | 14.9 | 14.6 | 14.5 | 14.4 | 14.2 | 28.0 |
| 30.0 | | | | | | | 13.4 | 13.2 | 13.1 | 13.0 | 12.8 | 30.0 |
| 32.0 | | | | | | | 13.4/30.1 | 12.0 | 11.8 | 11.7 | 11.5 | 32.0 |
| 34.0 | | | | | | | | 11.6/32.7 | 10.8 | 10.7 | 10.4 | 34.0 |
| 36.0 | | | | | | | | | 10.2/35.3 | 9.7 | 9.5 | 36.0 |
| 38.0 | | | | | | | | | | 8.9/37.9 | 8.7 | 38.0 |
| 40.0 | | | | | | | | | | | 7.9 | 40.0 |
| 42.0 | | | | | | | | | | | 7.8/40.5 | 42.0 |

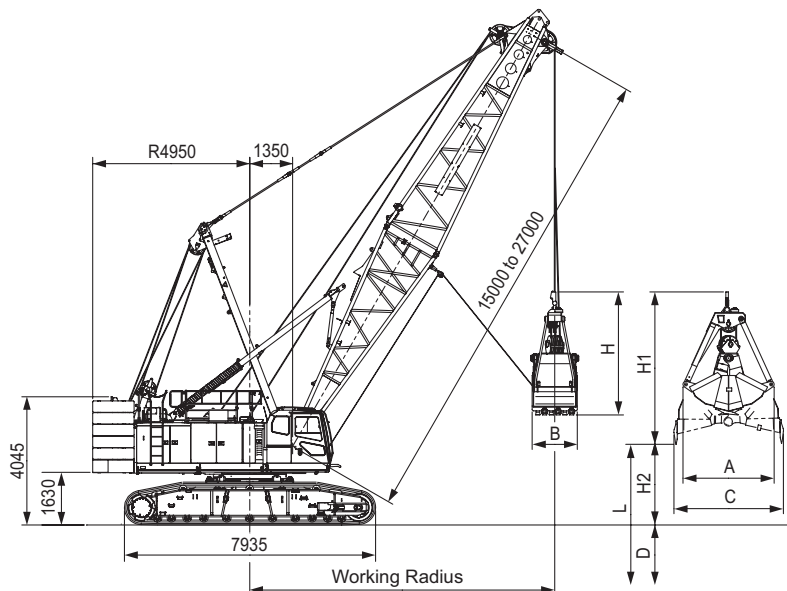
| Radius (m) | Boom length (m) | | | | | | Unit: ton |
|------------|-----------------|-----------|-----------|-----------|-----------|-----------|------------|
| | 48 | 51 | 54 | 57 | 60 | 63 | Radius (m) |
| 10.0 | 36.0/10.6 | 24.0/11.3 | 24.0/11.8 | | | | 10.0 |
| 12.0 | 36.0 | 24.0 | 24.0 | 24.0/12.4 | 24.0/12.9 | 24.0/13.5 | 12.0 |
| 14.0 | 36.0 | 24.0 | 24.0 | 24.0 | 24.0 | 24.0 | 14.0 |
| 16.0 | 31.7 | 24.0 | 24.0 | 24.0 | 24.0 | 24.0 | 16.0 |
| 18.0 | 26.8 | 24.0 | 24.0 | 24.0 | 24.0 | 24.0 | 18.0 |
| 20.0 | 23.1 | 23.0 | 22.8 | 22.7 | 22.5 | 22.2 | 20.0 |
| 22.0 | 20.1 | 20.0 | 19.8 | 19.7 | 19.5 | 19.3 | 22.0 |
| 24.0 | 17.7 | 17.6 | 17.4 | 17.3 | 17.1 | 16.9 | 24.0 |
| 26.0 | 15.7 | 15.6 | 15.4 | 15.2 | 15.1 | 14.9 | 26.0 |
| 28.0 | 14.0 | 13.9 | 13.7 | 13.6 | 13.4 | 13.2 | 28.0 |
| 30.0 | 12.6 | 12.5 | 12.3 | 12.1 | 11.9 | 11.7 | 30.0 |
| 32.0 | 11.4 | 11.3 | 11.0 | 10.9 | 10.7 | 10.5 | 32.0 |
| 34.0 | 10.3 | 10.2 | 10.0 | 9.8 | 9.6 | 9.4 | 34.0 |
| 36.0 | 9.3 | 9.2 | 9.0 | 8.8 | 8.7 | 8.4 | 36.0 |
| 38.0 | 8.5 | 8.4 | 8.2 | 8.0 | 7.8 | 7.6 | 38.0 |
| 40.0 | 7.8 | 7.6 | 7.4 | 7.2 | 7.1 | 6.8 | 40.0 |
| 42.0 | 7.1 | 7.0 | 6.7 | 6.6 | 6.4 | 6.2 | 42.0 |
| 44.0 | 6.8/43.1 | 6.3 | 6.1 | 5.9 | 5.8 | 5.5 | 44.0 |
| 46.0 | | 5.9/45.5 | 5.6 | 5.4 | 5.2 | 5.0 | 46.0 |
| 48.0 | | | 5.1 | 4.9 | 4.7 | 4.5 | 48.0 |
| 50.0 | | | 5.0/48.1 | 4.4 | 4.3 | 4.0 | 50.0 |
| 52.0 | | | | 4.3/50.6 | 3.8 | 3.6 | 52.0 |
| 54.0 | | | | | 3.6/53.2 | 3.2 | 54.0 |
| 56.0 | | | | | | 2.9/55.8 | 56.0 |

- The rated loads are determined according to EN13000 rating on the condition that the machine is stationed on firm, level ground.
- The figures surrounded by bold lines are based on factors other than those which would cause a tipping condition.
- Be sure to attach the hanger sheaves block to the top boom when boom length is 15m.
- Be sure to remove the hanger sheaves block from the top boom when boom length is 18m or more.
- To calculate the maximum load that can actually be lifted, deduct weight of all lifting accessories, such as boom hook and jib hook, from figures shown above.
- Working radius is the horizontal distance from the slewing center to the center of gravity of a lifted load.
- The counter weight is 65.4ton. (Superstructure 56.4ton + Undercarriage 9.0 ton)
- Correlation between the number of reeved lines, maximum rated loads, hook weights are shown in the table below.

| Hook Capacity (t) | Hook Weight (t) | Maximum rated loads (t) | | | | | | | | | |
|-------------------|-----------------|-------------------------|---------|--------|--------|--------|--------|--------|--------|--------|--------|
| | | 11falls | 10falls | 9falls | 8falls | 7falls | 6falls | 5falls | 4falls | 3falls | 2falls |
| 150 | 2.35 | 132.0 | 120.0 | 108.0 | 96.0 | 84.0 | 72.0 | 60.0 | 48.0 | 36.0 | 24.0 |
| 80 | 1.35 | | | | | 80.0 | 72.0 | 60.0 | 48.0 | 36.0 | 24.0 |
| 35 | 0.90 | | | | | | | | | 35.0 | 24.0 |

Clamshell Specifications

Dimensions and Specifications



Working Ranges

| Boom Length | m | 15 | | | | 18 | | | | 21 | | | | 24 | | | | 27 | | | |
|--------------------------|---|------|------|------|------|------|------|------|------|------|------|------|------|------|------|------|------|------|------|------|------|
| Boom Angle | ° | 35 | 45 | 55 | 65 | 35 | 45 | 55 | 65 | 35 | 45 | 55 | 65 | 35 | 45 | 55 | 65 | 35 | 45 | 55 | 65 |
| Working Radius | m | 14.2 | 12.6 | 10.7 | 8.5 | 16.7 | 14.8 | 12.4 | 9.8 | 19.1 | 16.9 | 14.1 | 11.1 | 21.6 | 19.0 | 15.9 | 12.3 | 24.0 | 21.1 | 17.6 | 13.6 |
| Gross Rated Load | t | 12.5 | 12.5 | 12.5 | 12.5 | 12.5 | 12.5 | 12.5 | 12.5 | 12.5 | 12.5 | 12.5 | 12.5 | 12.5 | 12.5 | 12.5 | 12.5 | 12.5 | 12.5 | 12.5 | 12.5 |
| Lift L (D + H2) | m | 39.8 | 41.9 | 43.6 | 45.0 | 41.5 | 43.9 | 46.0 | 47.7 | 43.1 | 46.0 | 48.4 | 50.4 | 44.7 | 48.0 | 50.8 | 53.0 | 46.4 | 50.1 | 53.2 | 55.7 |
| Max. Digging Depth D | m | 36 | | | | | | | | | | | | | | | | | | | |
| Bucket Dumping Height H2 | m | 3.8 | 5.9 | 7.6 | 9.0 | 5.5 | 7.9 | 10.0 | 11.7 | 7.1 | 10.0 | 12.4 | 14.4 | 8.7 | 12.0 | 14.8 | 17.0 | 10.4 | 14.1 | 17.2 | 19.7 |

Specifications

| Clamshell Specifications | |
|--|--|
| Bucket Capacity | m ³ 3.0 |
| Allowed Maximum Gross Weight for Clamshell Bucket and Captured Load Combined | t 12.5 |
| Boom Length | m 15 to 27 |
| Maximum Digging Depth | m 36 |
| Ground Contact Pressure | kPa (kgf/cm ²) 95.5 (0.97) (w/ Basic Boom, 3.0 m ³ Clamshell Bucket) |
| Overall Operating Weight | t Approximately 128.5 (w/ Basic Boom, 3.0 m ³ Clamshell Bucket) |

NOTE :

- SI units are used for specifications. In parenthesis, conventional units are also indicated.

Clamshell Bucket

| Capacity (m ³) | Weight (t) | A (mm) | B (mm) | C (mm) | H (mm) | H1 (mm) |
|----------------------------|------------|--------|--------|--------|--------|---------|
| 3.0 | 6.5 | 2,980 | 1,650 | 3,500 | 3,550 | 4,550 |

Gross Rated Load Table

| Working Radius(m) | Boom length (m) | | | | Unit: ton | |
|-------------------|-----------------|-----------|-----------|-----------|-----------|--|
| | 15 | 18 | 21 | 24 | 27 | |
| 8.5 | 12.5 | | | | | |
| 9.0 | 12.5 | 12.5/9.8 | | | | |
| 10.0 | 12.5 | 12.5 | 12.5/11.1 | | | |
| 12.0 | 12.5 | 12.5 | 12.5 | 12.5/12.3 | 12.5/13.6 | |
| 14.0 | 12.5 | 12.5 | 12.5 | 12.5 | 12.5 | |
| 16.0 | 12.5/14.2 | 12.5 | 12.5 | 12.5 | 12.5 | |
| 18.0 | | 12.5/16.7 | 12.5 | 12.5 | 12.5 | |
| 20.0 | | | 12.5/19.1 | 12.5 | 12.5 | |
| 22.0 | | | | 12.5/21.6 | 12.5 | |
| 24.0 | | | | | 12.5 | |

- Max. clamshell rating is 12.5 t.
- Mass of bucket plus load should not exceed clamshell ratings shown above. Following data are for a general digging application buckets.

| | | |
|-----------------|--------------------|--------------------|
| Bucket capacity | 2.5 m ³ | 3.0 m ³ |
| Bucket mass | 5.5 t | 6.0 t |

- In case of clamshell application, a 15.0 m boom is recommended as minimum length of boom, and max. boom length shall not exceed 27.0 m.
- Apparent specific gravity of lifting material:
Earth1.7 to 1.8 t/m³
Gravel 1.8 to 2.0 t/m³
- Use the counter weight in an assembly configuration (49.6 t) that does not include the lower weight and top weight.
- Max. digging depth below ground shall be 36 m.

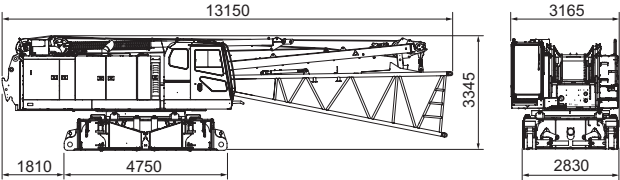
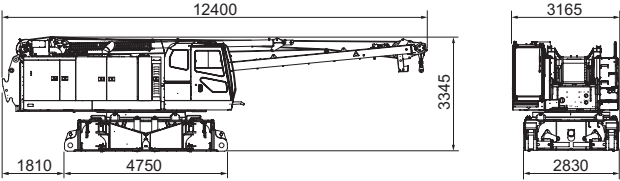
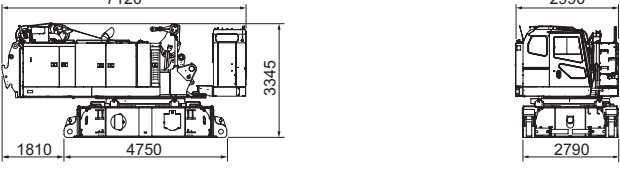
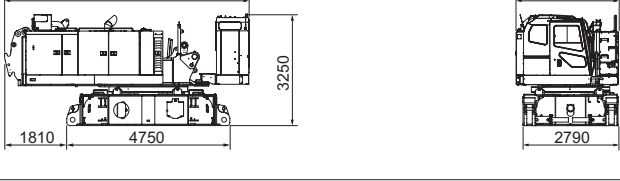
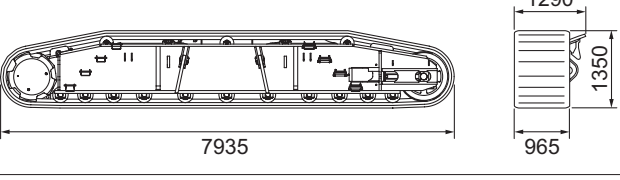
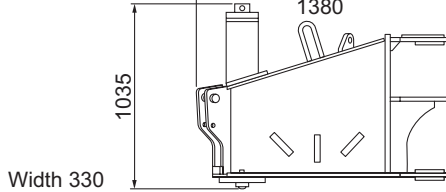
Weights and Dimensions of Disassembled Units

Weights and Dimensions List

Comply with the regulations when transporting.

"Weight" refers to the mass of each single unit.

Weights and Dimensions of Disassembled Units

| Description | Qty | Dimensions (mm) | Weight (kg) |
|--|-----|--|-------------|
| Base Crane with: Backstops Boom Base Mast Front Winch Wire Rope Jacks Upper & Lower Spreader Floats | 1 |  | 41300 |
| Base Crane with: Backstops Mast Front Winch Wire Rope Jacks Upper & Lower Spreader Floats | 1 |  | 39100 |
| Base Crane with: Boom Hoist Winch Wire Rope Front Winch Wire Rope Upper & Lower Spreader Without: Mast Jacks Floats | 1 |  | 34900 |
| Base Crane Without: Mast Wire Rope Jacks Upper & Lower Spreader Floats | 1 |  | 31800 |
| Crawler (Assembly) | 2 |  | 14200 |
| Jack Beams | 4 |  | 420 |

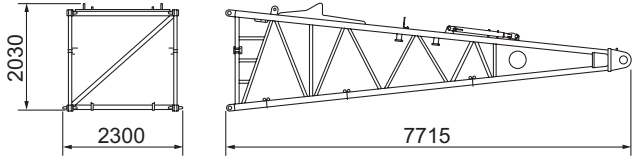
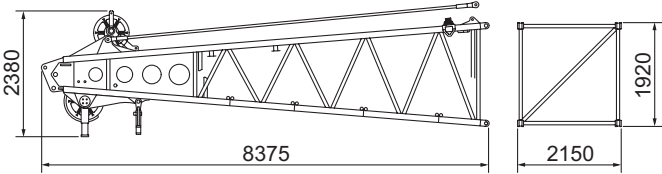
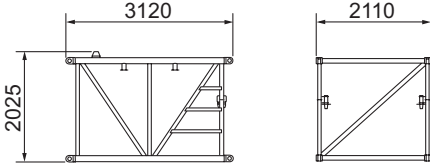
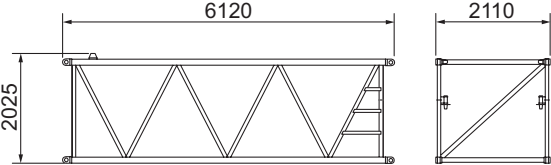
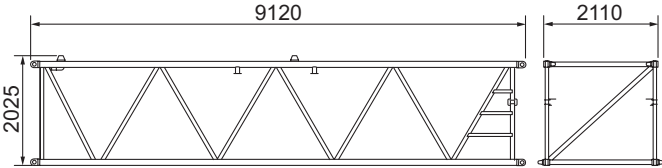
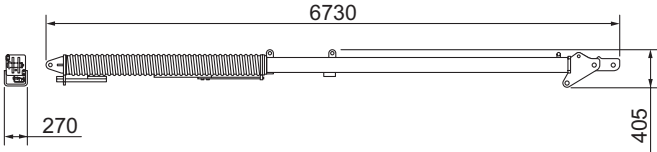
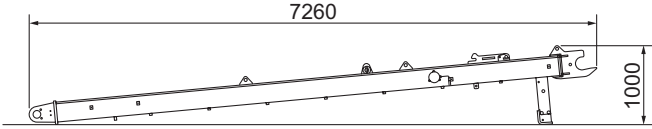
• With upper house handrails, the weight of the main unit increases by 95 kg.

• With catwalks, the weight of the main unit increases by 195 kg and the width of the main unit increases by 210 mm.

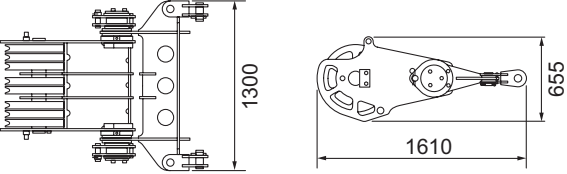
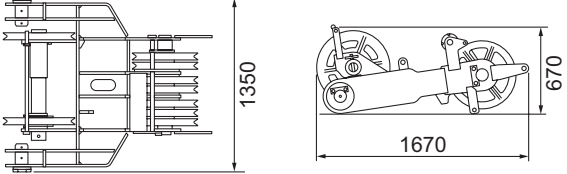
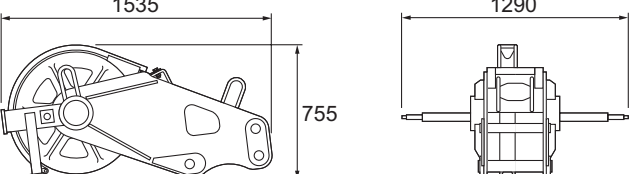
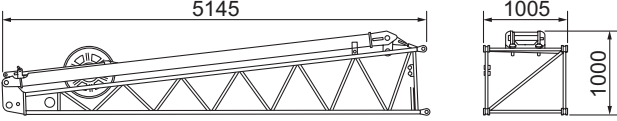
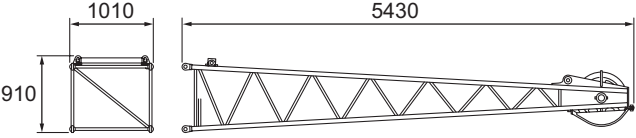
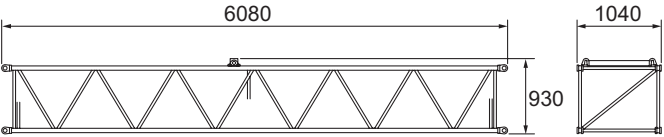
Weights and Dimensions of Disassembled Units

| Description | Qty | Dimensions (mm) | Weight (kg) |
|--|-----|-----------------|-------------|
| Counter Weight (Base) | 1 | | 9100 |
| Counter Weight | 5 | | 8100 |
| Counter Weight (Top Weight) | 1 | | 6860 |
| Counter Weight with Self Assembly Unit (Base) | 1 | | 9220 |
| Counter Weight (For Counter Weight with Self Assembly Unit) | 3 | | 6410 |
| Counter Weight (For Counter Weight with Self Assembly Unit) | 3 | | 6780 |
| Counter Weight (Top Weight) (For Counter Weight with Self Assembly Unit) | 1 | | 3340 |
| Counter Weight (Top Weight) (For Counter Weight with Self Assembly Unit) | 1 | | 3530 |
| Lower Weight | 2 | | 4500 |

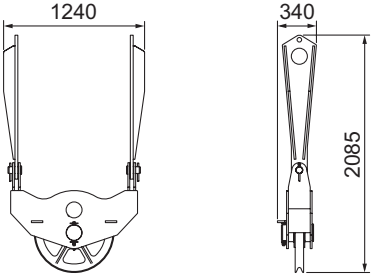
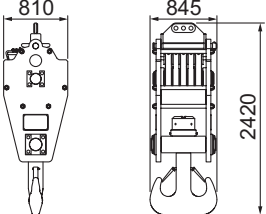
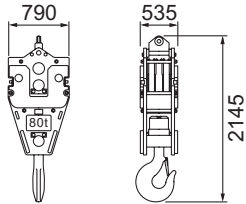
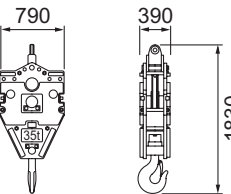
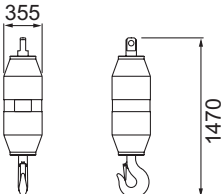
Weights and Dimensions of Disassembled Units

| Description | Qty | Dimensions (mm) | Weight (kg) |
|-----------------|-----|--|-------------|
| Boom Base | 1 |  | 2200 |
| Boom Top | 1 |  | 2400 |
| 3 m Boom Insert | 1 |  | 470 |
| 6 m Boom Insert | 1 |  | 760 |
| 9 m Boom Insert | 1 |  | 1050 |
| Boom Backstops | 2 |  | 490 |
| Mast | 1 |  Width 1230 | 1480 |

Weights and Dimensions of Disassembled Units

| Description | Qty | Dimensions (mm) | Weight (kg) |
|------------------------------|-----|--|-------------|
| Upper Spreader | 1 |  | 810 |
| Lower Spreader | 1 |  | 870 |
| Aux. Sheave | 1 |  | 350 |
| Jib Base (with Jib Strut) | 1 |  | 580 |
| Jib Top | 1 |  | 290 |
| 6 m Jib Insert | 1 |  | 190 |

Weights and Dimensions of Disassembled Units

| Description | Qty | Dimensions (mm) | Weight (kg) |
|------------------------|-----|--|-------------|
| Boom Top Side Spreader | 1 |  | 370 |
| 150 t Hook | 1 |  | 2350 |
| 80 t Hook | 1 |  | 1350 |
| 35 t Hook | 1 |  | 900 |
| 13.5 t Hook | 1 |  | 620 |

Equipment List

Standard and Optional Equipment

○ : Standard ● : Optional — : No setting

| Item | | Crane | Clamshell |
|---|--|---------------------|---------------------|
| Lower Structure | 965 mm Shoe | ○ | ○ |
| | Jack Up Unit | ○ | ○ |
| | Crawler Side Frame Connecting Unit | ○ | ○ |
| | Steps | ○ | ○ |
| | Shoe Tension Unit (Hydraulic) | ● | ● |
| | Low Wear Shoe (Contiguous surface of roller) | ● | ● |
| Upper Structure | Free-fall Assist System | ○ | ○ |
| | Cab Up/Down Catwalk | ○ | ○ |
| | Under Cover (Bed lower surface) | ○ | ○ |
| | Working Light (× 2) | ○ | ○ |
| | Back Mirror (Left and right) | ○ | ○ |
| | Central Lubrication Unit (For turntable bearing) | ○ | ○ |
| | Drum Flange Cover | ○ | ○ |
| | Auto Idle Stop | ○ | ○ |
| | Eco Winch | ○ | ○ |
| | Drum Light (Front winch) | ● | ● |
| | Winch Rope Retainer (Front winch) | ● | ● |
| | Winch Rope Retainer (Rear winch) | ● | ● |
| | Winch Rope Retainer (Third winch) | ● | ● |
| | Catwalk (Folding type, Left / Right) | ○ | ○ |
| | Catwalk with Handrails (Folding type, Left / Right) | ● / ○ ^{*1} | ● / ○ ^{*1} |
| | Electric Fuel Pump | ● | ● |
| | Handrails (Folding type) | ○ | ○ |
| | Winch with Front and Rear Free Mechanism | ○ | ○ |
| Third Winch (Rope not included) (with Free mechanism) | ● ^{*2} | - | |
| Short Length Bolts For 49.6t Counter Weight | - | ○ | |
| Cab | Air Conditioner | ○ | ○ |
| | Sunvisor | ○ | ○ |
| | Sunshade | ○ | ○ |
| | Wiper with Washer (Front window, Cab roof window) | ○ | ○ |
| | Microphone & Loud-Speaker | ● | ● |
| | AM / FM Radio (with Clock) | ○ | ○ |
| | Room Lamp | ○ | ○ |
| | Cup Holder | ○ | ○ |
| | 24 V Power Socket (× 2) | ○ | ○ |
| | Floor Carpet | ○ | ○ |
| | Level Gauge (in Cab & lower frame) | ○ | ○ |
| | Accelerator Pedal (Right side) | ● | ● |
| | Armchair Lever | ○ | ○ |
| | Cross Operation Lever (Lever lock not attached) | ● / ○ ^{*1} | ● / ○ ^{*1} |
| | Front Operation Lever (with Lever lock) | ● | ● |
| | Standard Seat | ○ | ○ |
| | Seat with Suspension | ● / ○ ^{*1} | ● / ○ ^{*1} |
| | Boom Hoist Operation Pedal ^{*3} | ● | ● |
| | Swing Brake Operation Pedal ^{*3} | ● | ● |
| | Fan | ● | ● |
| | Front/Rear Operation Lever, Brake Pedal Permutation | ● | ● |
| | Fuel Burning Heater | ● | ● |
| | Accelerator Grip | ○ | ○ |
| | Drum Rotation Sensor (Front/Rear/Boom Hoist) ^{*4} | ○ | ○ |
| | Speed Control Dial (Front/Rear/Boom Hoist/Swing) | ○ | ○ |
| Lifehammer | ○ | ○ | |

*1 Europe specification machines only.

*2 The third winch can only be used in the crane specification.

*3 Cannot be installed at the same time.

*4 Cannot be equipped when the cross operation lever or front operation lever is installed.

○ : Standard ● : Optional - : No setting

| Item | | Crane | Clamshell | |
|---|--|-----------------------|---------------------|-----------------|
| Attachment | 15 m Basic Boom (Boom base: 7.5 m, Boom top: 7.5 m) | ○ | ○ | |
| | 3 m Boom Insert | ● | ● | |
| | 6 m Boom Insert | ● | ● | |
| | 9 m Boom Insert | ● | ● | |
| | Parts Set for 10 m crane jib [10 m Basic jib, Anti-two block, Jib mast] | ● | - | |
| | 6 m Crane Jib Insert | ● | - | |
| | Midpoint Pendant Rope (Required when the boom length is 66 m or longer) | ● | - | |
| | Auxiliary Sheave [including Auxiliary sheave anti-two block] | ● | - | |
| | Boom Top Side Spreader | ● | - | |
| | 150 t Hook (5 sheaves) | ● | - | |
| | 80 t Hook (3 sheaves) | ● | - | |
| | 35 t Hook (1 sheave) | ● | - | |
| 13.5 t Hook | ● | - | | |
| Wire Rope | Front Winch (φ 28) | P · S (19) + 39XP · 7 | ○ | - |
| | | IWRC 6 X P · WS (31) | - | ○ ^{*5} |
| | Rear Winch (φ 28) | Mono Rope EP 3XF (40) | ● | - |
| | | P · S (19) + 39XP · 7 | ● | - |
| | | IWRC 6 X P · WS (31) | ● | ○ ^{*6} |
| Third Winch (φ 26) | P · S (19) + 39XP · 7 | ● | - | |
| Boom Hoist Winch (φ 22.4) | IWRC 6 X P · WS (31) | ○ | ○ | |
| Safety Device | Moment Limiter | ○ | ○ | |
| | 3 Color Percentage Indicator | ● | ● | |
| | Gate Lock Lever | ○ | ○ | |
| | Individual Winch Operation Lever Lock (Front, Rear, Hoist, Travel) ^{*8} | ○ | ○ | |
| | Automatic Drum Lock (Boom Hoist) | ○ | ○ | |
| | Winch Drum Lock (Front/Rear) | ○ | ○ | |
| | Lowering Limiter (Winch Drum Dead Turns Detective Device) | ● / ○ ^{*7} | ● / ○ ^{*7} | |
| | Swing Lock | ○ | ○ | |
| | Swing Alarm | ○ | ○ | |
| | Travel Alarm | ○ | ○ | |
| | Auto Slowdown (Slow stop) | ○ | ○ | |
| | Boom Hoist Limiting Device | ○ | ○ | |
| | Secondary Boom Over Hoist Prevent Device | ○ | ○ | |
| | Warning Alarm | ○ | ○ | |
| | Engine Start Interlock System | ○ | ○ | |
| | Emergency Engine Stop Switch (In cab) | ○ | ○ | |
| | Lifting Height Indication Device | ○ | ○ | |
| | Swing Neutral Free/Brake Selection Switch | ○ | ○ | |
| | Anti-Two Block | ○ | - | |
| | Moment Limiter (M/L) Mode Selector (In left house) | ● / ○ ^{*7} | ○ | |
| | Swing Restriction Unit | ● | ● | |
| Anemometer | ○ | - | | |
| Obstacle Lights (Fixed lights) | ● | - | | |
| Drum and Rear View Monitor System (3 cameras) | ● | ● | | |
| Cab Roof Window Guard | ● / ○ ^{*7} | ● / ○ ^{*7} | | |

*5 Used for opening/closing rope. 82m length rope required for 12m diggind depth with 21m boom length.

*6 Used for supporting rope. 70m length rope required for 12m diggind depth with 21m boom length.

*7 Europe specification machines only.

*8 An operation lever lock is not attached to the front, rear or hoist when the cross operation lever is installed.

○ : Standard ● : Optional — : No setting

| Item | | Crane | Clamshell | |
|--|--|---|------------------|---|
| Common Parts | Boom Foot Pin Removal / Installation Cylinder | ● | ● | |
| | Boom Back Stop | ○ | ○ | |
| | Boom Angle Sensor | ○ | ○ | |
| | Boom Lifting Piece | ○ | ○ | |
| | Remote Sensing (Mobile Communication Terminal, Data Logging Device) | ○ | ○ | |
| | Assembly Pad ^{*9} | ● | ● | |
| | Reduction Counter Weight Specification | ● ^{*10} | - | |
| | Quick Draw for Side Frame Self Assembly ^{*11} | ● | ● | |
| | Counter Weight with Self Assembly Unit | ● | ● | |
| | Skywalk (with Stanchion) | ● | - | |
| | Skywalk (without Stanchion) | ● | - | |
| | Boom Top Under Surface Buffer (Protector) | ● | ● | |
| | Load Table Sign (Whiteboard, boom base installation) | ● | ● | |
| | Insertable Company Name Plate (Both side surfaces of the machine) | ● ^{*12} | ● | |
| | Opening / Closing / Support Rope Stopper | - | ○ | |
| | Hyd. Tagline (6 × Fi (29) φ 10 mm × 55 m) | ● ^{*13} | ○ | |
| | Reeving Winch (4 × F (30) φ 8 mm × 250 m) | ● ^{*13} | - | |
| | Reeving Winch cum Hydraulic tagline | For hydraulic tagline (6 × Fi (29) φ 10 mm × 55 m) For reeving (6 × Fi (29) φ 10 mm × 220 m) | ● ^{*13} | - |
| | Sling Ropes for Disassembly and Assembly (For counter weights, Crawlers) | ● | ● | |
| | Air Cleaner Double Element | ○ | ○ | |
| Additional Fuel Filter (Triple filter) | ● | ● | | |
| Additional Spare Parts (Hydraulic oil filter) | ● | ● | | |
| Additional Tools (Large hammer, Crowbar, Chisel) | ● | ● | | |
| Other | Standard Supplied Tools | ○ | ○ | |
| | Standard Spare Parts | ○ | ○ | |

*9 The assembly pad is required for the following attachments.

- Crane Boom Longest Length 75m
- Crane Boom Length 72m + Aux. Sheave
- Crane Boom Length 63m + Crane Jib

*10 The reduction counter weight specification can only be used for the crane specification, with the exception of the crane jib.

*11 When using the reeving winch or hydraulic tagline, remove the side frame self assembly quick draw.

*12 When it choose, the width at the time of transportation is set to not less than 3m.

*13 (1) Hydraulic tagline (maximum line pull: 2.9 kN (300 kg))

(2) Reeving winch unit (maximum line pull: 11.8 ZkN (1,200 kg))

(3) Reeving winch and hydraulic tagline

(Line pull: For hydraulic tagline (maximum line pull: 1.5 kN (150 kg)) /for reeving winch (maximum line pull: 2.9 kN (300 kg))

- We are constantly improving our products and therefore reserve the right to change designs and specifications without notice.
- Units in this specification are shown under International System of Units; the figures in parenthesis are under Gravitational System of Units as old one.

Sumitomo Heavy Industries Construction Cranes Co., Ltd.

9-3, Higashi-Ueno 6-chome, Taito-ku, Tokyo 110-0015, Japan
Phone: 81-3-3845-1387 Facsimile: 81-3-3845-1394

<http://www.hsc-cranes.com>