

**SCX3500-3**  
Stage IV / Tier 4 f

**SCX**  
**3500-3**

---

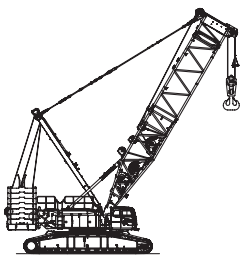
**HYDRAULIC CRAWLER CRANE**



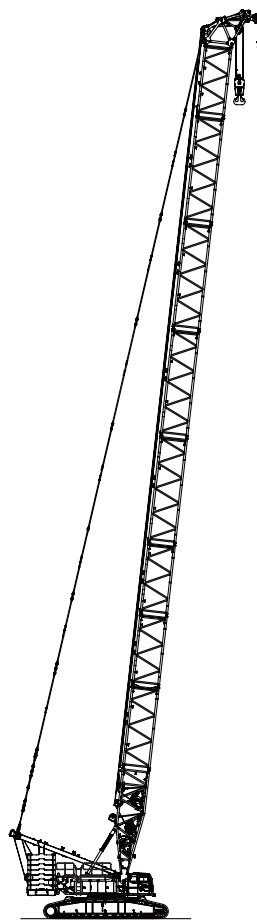
# Variation of The Attachment

|                           |                      |                                  |                                    |
|---------------------------|----------------------|----------------------------------|------------------------------------|
| Line Speed *              | Front (W1)/Rear (W2) | m/min                            | 110                                |
|                           | Boom Hoist (W3)      |                                  | 34 x 2                             |
|                           | Tower Jib Hoist (W4) |                                  | 55                                 |
| Swing Speed               |                      | min <sup>-1</sup> (rpm)          | 0.86 (0.86)                        |
| Travel Speed High / Low   |                      | km/h                             | 0.9/0.45                           |
| Gradeability              |                      | % (Degree)                       | 30 (17)                            |
| Engine Model              |                      |                                  | CUMMINS QSL9<br>(Stage IV/Tier 4f) |
| Engine Rated Output Power |                      | kW/min <sup>-1</sup><br>(ps/rpm) | 272/2000<br>(370/2000)             |

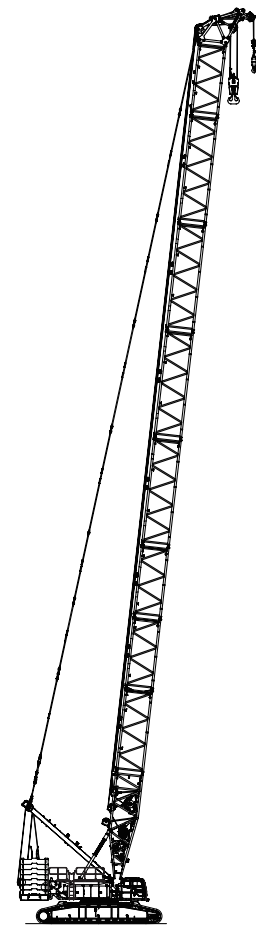
Note : Speeds marked with "\*" may vary depending on load applied.



**Hammer Head Specification**

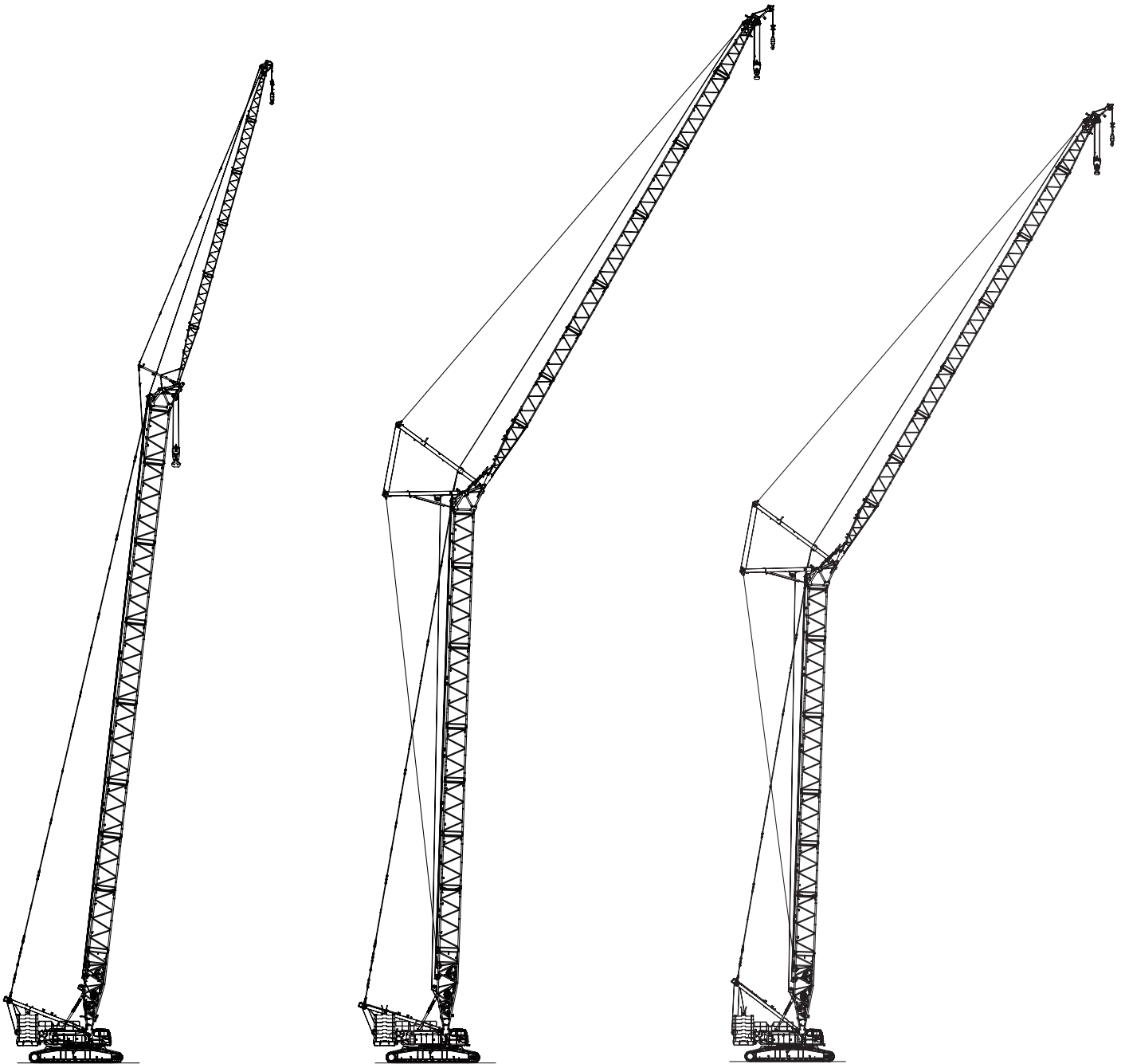


**Crane Specification  
Boom Longest Length with  
Aux. Sheave  
(Rear end Radius: Standard)**



**Crane Specification  
Boom Longest Length with  
Aux. Sheave  
(Rear end Radius: Short)**

|                          |                            |                                |                          |                            |  |                          |                            |  |
|--------------------------|----------------------------|--------------------------------|--------------------------|----------------------------|--|--------------------------|----------------------------|--|
| Boom Length              | m                          | 18                             | Boom Length              | m                          | 24 to 72                                 | Boom Length              | m                          | 24 to 72                                 |
| Ground Contact Pressure  | kPa (kgf/cm <sup>2</sup> ) | 136 (1.39)<br>(with 350t hook) | Ground Contact Pressure  | kPa (kgf/cm <sup>2</sup> ) | 144 (1.47)<br>(100t + 15t hook attached) | Ground Contact Pressure  | kPa (kgf/cm <sup>2</sup> ) | 144 (1.47)<br>(100t + 15t hook attached) |
| Overall Operating Weight | t                          | Approximately 321              | Overall Operating Weight | t                          | Approximately 341                        | Overall Operating Weight | t                          | Approximately 341                        |



**Crane Specification  
Boom with Crane Jib  
Longest Length  
(Rear end Radius: Standard)**

**Tower Specification  
Tower with Tower Jib  
Longest Length  
(Rear end Radius: Standard)**

**Tower Specification  
Tower with Tower Jib  
Longest Length  
(Rear end Radius: Short)**

|                                 |                           |  |                                  |                           |  |                                  |                            |  |
|---------------------------------|---------------------------|--|----------------------------------|---------------------------|--|----------------------------------|----------------------------|--|
| Boom Length                     | m                         | 24 to 72                                 | Tower Length                     | m                         | 24 to 60                                 | Tower Length                     | m                          | 24 to 54                                 |
| Crane Jib Length                | m                         | 13 to 37                                 | Tower Jib Length                 | m                         | 24 to 60                                 | Tower Jib Length                 | m                          | 24 to 60                                 |
| Boom + Crane Jib Longest Length | m                         | 72 + 37                                  | Tower + Tower Jib Longest Length | m                         | 60 + 60                                  | Tower + Tower Jib Longest Length | m                          | 54 + 60                                  |
| Ground Contact Pressure         | kPa (kgf/m <sup>2</sup> ) | 146 (1.49)<br>(100t + 15t hook attached) | Ground Contact Pressure          | kPa (kgf/m <sup>2</sup> ) | 152 (1.55)<br>(100t + 15t hook attached) | Ground Contact Pressure          | kPa (kgf/cm <sup>2</sup> ) | 151 (1.54)<br>(100t + 15t hook attached) |
| Overall Operating Weight        | t                         | Approximately 345                        | Overall Operating Weight         | t                         | Approximately 360                        | Overall Operating Weight         | t                          | Approximately 357                        |

## VARIATION

|                                    |          |
|------------------------------------|----------|
| <b>Variation of The Attachment</b> | <b>2</b> |
|------------------------------------|----------|

## SPECIFICATIONS

|                       |          |
|-----------------------|----------|
| <b>Specifications</b> | <b>6</b> |
|-----------------------|----------|

|                             |          |
|-----------------------------|----------|
| <b>Crane Specifications</b> | <b>7</b> |
|-----------------------------|----------|

|  |          |
|--|----------|
| <b>Dimensions and Specifications</b> ..... | <b>7</b> |
|--|----------|

|   |          |
|---|----------|
| <b>Boom Standard Configurations</b> ..... | <b>8</b> |
|---|----------|

|   |          |
|---|----------|
| <b>Combination of Boom and Crane Jib (Offset Angle 10° and 30°)</b> ..... | <b>9</b> |
|---|----------|

|                                       |           |
|---------------------------------------|-----------|
| <b>Lowerable Boom Hook Mass</b> ..... | <b>10</b> |
|---------------------------------------|-----------|

|  |           |
|--|-----------|
| <b>Lowerable Crane Jib Hook Mass</b> ..... | <b>10</b> |
|--|-----------|

|                             |           |
|-----------------------------|-----------|
| <b>Working Ranges</b> ..... | <b>11</b> |
|-----------------------------|-----------|

|  |    |
|--|----|
| ■ Main Boom (Rear end Radius: Standard)..... | 11 |
|--|----|

|  |    |
|--|----|
| ■ Aux. Sheave (Rear end Radius: Standard)..... | 12 |
|--|----|

|  |    |
|--|----|
| ■ Main Boom with Aux. Sheave (Rear end Radius: Standard) ..... | 13 |
|--|----|

|   |    |
|---|----|
| ■ Main Boom (Rear end Radius: Short)..... | 14 |
|---|----|

|   |    |
|---|----|
| ■ Aux. Sheave (Rear end Radius: Short)..... | 15 |
|---|----|

|   |    |
|---|----|
| ■ Main Boom with Aux. Sheave (Rear end Radius: Short) ..... | 16 |
|---|----|

|  |    |
|--|----|
| ■ Crane Jib (Rear end Radius: Standard)..... | 17 |
|--|----|

|   |    |
|---|----|
| ■ Main Boom with Crane Jib (Rear end Radius: Standard)..... | 18 |
|---|----|

|                                     |           |
|-------------------------------------|-----------|
| <b>Gross Rated Load Table</b> ..... | <b>19</b> |
|-------------------------------------|-----------|

|  |    |
|--|----|
| ■ Main Boom (Rear end Radius: Standard)..... | 19 |
|--|----|

|  |    |
|--|----|
| ■ Aux. Sheave (Rear end Radius: Standard)..... | 20 |
|--|----|

|  |    |
|--|----|
| ■ Main Boom with Aux. Sheave (Rear end Radius: Standard) ..... | 21 |
|--|----|

|   |    |
|---|----|
| ■ Main Boom (Rear end Radius: Short)..... | 22 |
|---|----|

|   |    |
|---|----|
| ■ Aux. Sheave (Rear end Radius: Short)..... | 23 |
|---|----|

|   |    |
|---|----|
| ■ Main Boom with Aux. Sheave (Rear end Radius: Short) ..... | 24 |
|---|----|

|  |    |
|--|----|
| ■ Crane Jib (Rear end Radius: Standard)..... | 25 |
|--|----|

|   |    |
|---|----|
| ■ Main Boom with Crane Jib (Rear end Radius: Standard)..... | 33 |
|---|----|

|                             |           |
|-----------------------------|-----------|
| <b>Tower Specifications</b> | <b>39</b> |
|-----------------------------|-----------|

|  |           |
|--|-----------|
| <b>Dimensions and Specifications</b> ..... | <b>39</b> |
|--|-----------|

|  |           |
|--|-----------|
| <b>Tower Standard Configurations</b> ..... | <b>40</b> |
|--|-----------|

|  |           |
|--|-----------|
| <b>Restriction of Hook Usage</b> ..... | <b>41</b> |
|--|-----------|

|                                      |           |
|--------------------------------------|-----------|
| <b>Lowerable Jib Hook Mass</b> ..... | <b>42</b> |
|--------------------------------------|-----------|

|   |           |
|---|-----------|
| <b>Lowerable Tower Head Hook Mass</b> ..... | <b>42</b> |
|---|-----------|



|  |           |
|--|-----------|
| <b>Working Ranges .....</b>                                      | <b>43</b> |
| ■Rear end Radius: Standard .....                                 | 43        |
| ■Rear end Radius: Short .....                                    | 44        |
| ■Tower Head Hoisting (Rear end Radius: Standard).....            | 45        |
| <b>Gross Rated Load Table .....</b>                              | <b>46</b> |
| ■Tower 24 m (Rear end Radius: Standard) .....                    | 46        |
| ■Tower 30 m (Rear end Radius: Standard) .....                    | 48        |
| ■Tower 36 m (Rear end Radius: Standard) .....                    | 50        |
| ■Tower 42 m (Rear end Radius: Standard) .....                    | 52        |
| ■Tower 48 m (Rear end Radius: Standard) .....                    | 54        |
| ■Tower 54 m (Rear end Radius: Standard) .....                    | 56        |
| ■Tower 60 m (Rear end Radius: Standard) .....                    | 58        |
| ■Tower 24 m (Rear end Radius: Short) .....                       | 60        |
| ■Tower 30 m (Rear end Radius: Short) .....                       | 62        |
| ■Tower 36 m (Rear end Radius: Short) .....                       | 64        |
| ■Tower 42 m (Rear end Radius: Short) .....                       | 66        |
| ■Tower 48 m (Rear end Radius: Short) .....                       | 68        |
| ■Tower 54 m (Rear end Radius: Short) .....                       | 70        |
| ■Tower 24m Tower Head Hoisting (Rear end Radius: Standard) ..... | 72        |
| ■Tower 30m Tower Head Hoisting (Rear end Radius: Standard) ..... | 73        |
| ■Tower 36m Tower Head Hoisting (Rear end Radius: Standard) ..... | 73        |
| ■Tower 42m Tower Head Hoisting (Rear end Radius: Standard) ..... | 73        |
| ■Tower 48m Tower Head Hoisting (Rear end Radius: Standard) ..... | 74        |
| ■Tower 54m Tower Head Hoisting (Rear end Radius: Standard) ..... | 74        |
| ■Tower 60m Tower Head Hoisting (Rear end Radius: Standard) ..... | 74        |

**TECHNICAL DATA**

|   |           |
|---|-----------|
| <b>Weights and Dimensions of Disassembled Units .....</b> | <b>75</b> |
| <b>Weights and Dimensions List .....</b>                  | <b>75</b> |
| <b>Equipment List .....</b>                               | <b>80</b> |
| <b>Standard and Optional Equipment .....</b>              | <b>80</b> |

# Specifications

## Engine

|                    |  |
|--------------------|--|
| Model              | CUMMINS QSL9   |
| Type               | 4-cycle, water-cooled, Direct-injection, Turbo-charger Diesel engine                           |
| Displacement       | 8.9 Liters   |
| Rated Output       | 272 kW / 2,000 min <sup>-1</sup> (370 PS / 2,000 rpm)  |
| Fuel Tank Capacity | 550 Liters   |
| Notes              | Compliant with engine emission gas regulations for USA Tier4f, EU StageIV and Japan 2014 Code. |

## Control

|                      |  |
|----------------------|--|
| Control System       | Main actuators are controlled by hydraulic pilot system. Working speeds can be precisely controlled by lever stroke and volume dial. Safety devices are securely operated by combined various electronic controls with hydraulic system. |
| Control Levers       | Designed and layout on ergonomics. Arm chair lever type is standard.   |
| Display Panel Design | 8 inches size. Located to check working state easily without disturbing the view of the operator.  |

## Hydraulic System

|                         |                  |             |                                     |
|-------------------------|------------------|-------------|-------------------------------------|
| Hydraulic Tank          | 350 Liters       |             |                                     |
| Hydraulic Pump Capacity | Maximum pressure | 31.4 MPa    |                                     |
|                         | P1               | 320 l / min | W3, W4 winch, Travel (R)            |
|                         | P2               | 320 l / min | W1, W2 winch, Travel(L), Quick draw |
|                         | P3               | 158 l / min | Swing, Reeving winch, Cylinders     |
|                         | P4               | 74 l / min  | Fan drive(Radiator, Oil cooler)     |
|                         | P5               | 44 l / min  | Pilot                               |

## Winch

|                            | W1 (Front)      | W2 (Rear)       | W3 (Hoist) | W4 (Jib Hoist) |
|----------------------------|-----------------|-----------------|------------|----------------|
| Rope Diameter              | 28 mm           | 28 mm           | 28 mm      | 28 mm          |
| Rope Length                | 335 m           | 610 m           | 490 m      | 370 m          |
| Rope Speed                 | 110m/min        | 110m/min        |            |                |
| Rated Linepull (1st layer) | 147 kN (230 kN) | 147 kN (230 kN) |            |                |

High speed lifting and lowering is possible by ECO mode with low engine speed under light load.

Hydraulic motor with wet multiple disc brake and planetary reduction gears inside of winch drum.

## Swing Device

|  |
|--|
| 0.86 rpm   |
| 3 sets of hydraulic motor with wet multiple disc brake + planetary reduction gears and turn table bearing with external teeth. |
| Precise swing operation is possible by swing brake with pedal.   |

## Mast

|  |
|--|
| Easy assembly for front attachments.   |
| Crawler sideframe self assembly is possible by Quick draw(Opt).  |
| By using Quick draw system, assembly work can be done by helper crane to install 19.7 ton base counter weight. |

## Counter Weight

|                |              |             |
|----------------|--------------|-------------|
| Counter Weight | Total Weight | 145.0 t     |
|                | Base Weight  | 19.7 t × 1  |
|                | Weight       | 8.95 t × 14 |
| Lower Weight   | Total Weight | 25.0 t      |
|                | Weight       | 12.5 t × 2  |

## Carbody

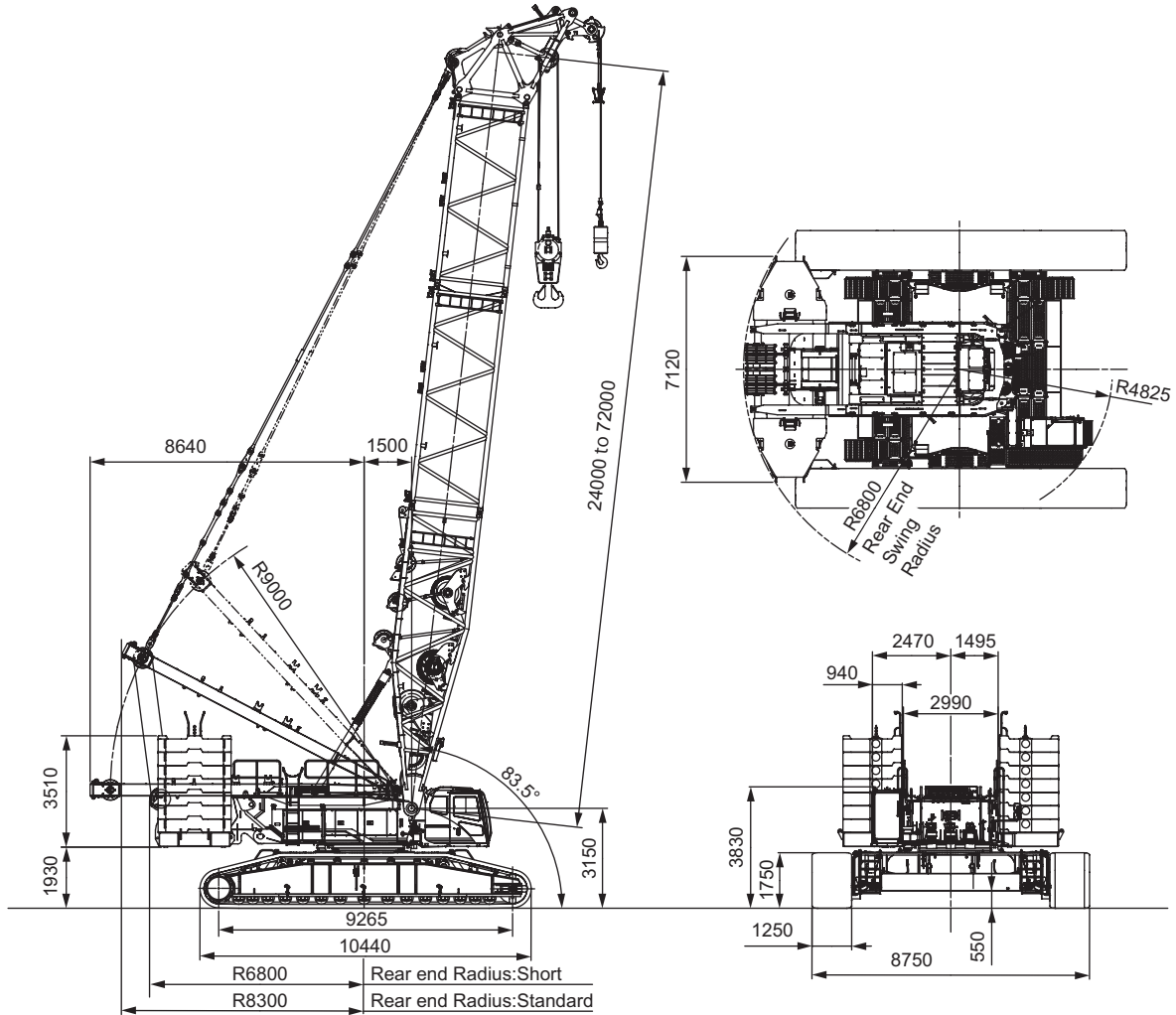
|   |
|---|
| High tensile steel box structure                        |
| Jack up device  |
| Pin connection with crawler sideframe by hook on system |

## Crawler Sideframe

|                   |   |  |
|-------------------|---|--|
| Crawler Sideframe | High tensile steel box structure<br>With travel device and pin connection and connection cylinders          |  |
| Shoe              | 1250mm flat shoe  |  |
| Upper Roller      | 7 pieces for each side<br>Double flange type 2 cantilever type 5  |  |
| Lower Roller      | 15 pieces for each side<br>Double flange type with plane bearing and floating seal for lifetime lubrication |  |
|                   | Forging and heat treated steel  |  |
| Travel Device     | 1unit for each side   |  |
|                   | Hydraulic motor with wet multiple disc brake + Planetary reduction gears                                    |  |
|                   | Travel speed  | High : 0.9 km/hr.<br>Lower : 0.45 km/hr. |
|                   | Gradability   | 30 %                                     |

# Crane Specifications

## Dimensions and Specifications



### Crane Specifications

|   |                            |   |
|---|----------------------------|---|
| Max. Lifting Load × Working Radius (Boom top attached)    | t × m                      | 180 × 5.9                                       |
| Max. Lifting Load × Working Radius (Hammer head attached) | t × m                      | 350 × 5.0                                       |
| Basic Boom Length (Boom top attached)                     | m                          | 24  |
| Max. Boom Length (Boom top attached)                      | m                          | 72  |
| Basic Boom Length (Hammer head attached)                  | m                          | 18  |
| Crane Jib Length  | m                          | 13 to 37  |
| Max. Boom with Crane Jib Length                           | m                          | 72 + 37   |
| Ground Contact Pressure (Boom top attached)               | kPa (kgf/cm <sup>2</sup> ) | 135 (1.38)<br>(24m Boom with 180 t Hook)        |
| Ground Contact Pressure (Hammer head attached)            | kPa (kgf/cm <sup>2</sup> ) | 136 (1.39)<br>(18m Boom with 350 t Hook)        |
| Overall Operating Weight (Boom top attached)              | t                          | Approximately 320<br>(24m Boom with 180 t Hook) |
| Overall Operating Weight (Hammer head attached)           | t                          | Approximately 321<br>(18m Boom with 350 t Hook) |

### Hook Mass

|       |          |
|-------|----------|
| 350 t | 4,440 kg |
| 180 t | 3,340 kg |
| 100 t | 3,110 kg |
| 45 t  | 2,170 kg |
| 15 t  | 620 kg   |

NOTE : Data is expressed in SI units followed by conventional units in ( ).

### Number of Front/Rear Winch Rope and Lifting Load

| Hook Capacity | Maximum Rated Load (ton) |          |          |          |         |         |         |         |         |         |         |         |        |
|---------------|--------------------------|----------|----------|----------|---------|---------|---------|---------|---------|---------|---------|---------|--------|
|               | 13 falls                 | 12 falls | 11 falls | 10 falls | 9 falls | 8 falls | 7 falls | 6 falls | 5 falls | 4 falls | 3 falls | 2 falls | 1 fall |
| 180 t         | 180                      | 170      | 157      | 144      | 131     | 118     | 104     | 90      | 76      | 61      | -       | -       | -      |
| 100 t         | -                        | -        | -        | -        | -       | -       | 100     | 90      | 76      | 61      | 46      | 31      | -      |
| 45 t          | -                        | -        | -        | -        | -       | -       | -       | -       | -       | -       | 45      | 31      | -      |
| 15 t          | -                        | -        | -        | -        | -       | -       | -       | -       | -       | -       | -       | -       | 15     |

# Boom Standard Configurations

## Crane Specification Boom

| Boom            |                     |
|-----------------|---------------------|
| Boom Length (m) | Boom Configurations |
| 18              |                     |
| 24              |                     |
| 30              |                     |
| 36              |                     |
| 42              |                     |
| 48              |                     |
| 54              |                     |
| 60              |                     |
|                 |                     |
| 66              |                     |
| 72              |                     |

| Aux. Sheave Installable Boom Length |    |    |    |    |    |    |    |    |    |    |
|-------------------------------------|----|----|----|----|----|----|----|----|----|----|
| Boom Length (m)                     | 18 | 24 | 30 | 36 | 42 | 48 | 54 | 60 | 66 | 72 |
| With Aux. Sheave                    | ×  | ○  | ○  | ○  | ○  | ○  | ○  | ○  | ○  | ○  |

( ○ : Attachable × : Not Attachable )

| Dimensions Not Shown In The Figure |                 |               |
|------------------------------------|-----------------|---------------|
| Symbols                            | Boom Length (m) | Note          |
| HB9.5                              | 9.5             | Boom Base     |
| HH1.5                              | 1.5             | Hammer Head   |
| HT1.5                              | 1.5             | Boom Top      |
| H6                                 | 6               | Boom Insert   |
| H6B                                | 6               | Boom Insert B |
| H9                                 | 9               | Boom Insert   |
| HR7                                | 7               | Reducer       |

# Combination of Boom and Crane Jib (Offset Angle 10° and 30°)

| Combination of Boom and Crane Jib |                 | 13               |                  | 19               |                  | 25               |                  | 31               |                  | 37               |                  |
|-----------------------------------|-----------------|------------------|------------------|------------------|------------------|------------------|------------------|------------------|------------------|------------------|------------------|
| Crane Jib Length (m)              | Boom Length (m) | Offset angle 10° | Offset angle 30° | Offset angle 10° | Offset angle 30° | Offset angle 10° | Offset angle 30° | Offset angle 10° | Offset angle 30° | Offset angle 10° | Offset angle 30° |
|                                   |                 | 24               | ×                | ×                | ×                | ×                | ×                | ×                | ×                | ×                | ×                |
| 30                                | ×               | ×                | ×                | ×                | ×                | ×                | ×                | ×                | ×                | ×                | ×                |
| 36                                | ×               | ×                | ×                | ×                | ×                | ×                | ×                | ×                | ×                | ×                | ×                |
| 42                                | ○               | ○                | ○                | ○                | ○                | ○                | ○                | ○                | ○                | ○                | ×                |
| 48                                | ○               | ○                | ○                | ○                | ○                | ○                | ○                | ○                | ○                | ○                | ×                |
| 54                                | ○               | ○                | ○                | ○                | ○                | ○                | ○                | ○                | ○                | ○                | ×                |
| 60                                | ○               | ○                | ○                | ○                | ○                | ○                | ○                | ○                | ○                | ○                | ×                |
| 66                                | ○               | ○                | ○                | ○                | ○                | ○                | ○                | ○                | ○                | ○                | ×                |
| 72                                | ○               | ○                | ○                | ○                | ○                | ○                | ○                | ○                | ○                | ○                | ×                |

(○ : Attachable × : Not Attachable)

| Crane Jib (Offset Angle 10° and 30°) |              | Crane Jib Configurations |
|--------------------------------------|--------------|--------------------------|
| Crane Jib Length (m)                 | Offset Angle |                          |
| 13                                   | 10°          |                          |
|                                      | 30°          |                          |
| 19                                   | 10°          |                          |
|                                      | 30°          |                          |
| 25                                   | 10°          |                          |
|                                      | 30°          |                          |
| 31                                   | 10°          |                          |
|                                      | 30°          |                          |
| 37                                   | 10°          |                          |

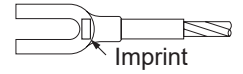
**Dimensions Not Shown In The Figure**

| Symbols | Jib Length (m) | Note              |
|---------|----------------|-------------------|
| 6.5     | 6.5            | Jib top, jib base |
| 6       | 6              | Jib insert        |

Determine the jib pendant rope from the rope caulk mark.

**Jib Pendant Rope**

| Symbols | Length (m) | Rope Diameter (mm) | Imprint                |
|---------|------------|--------------------|------------------------|
| 7.8     | 7.8        | 35.5               | □ • △ • 35.5 • 7.8 • S |
| 5.85    | 5.85       | 32                 | □ • △ • 32 • 5.85 • S  |
| 1.65    | 1.65       | 32                 | □ • △ • 32 • 1.65 • S  |



## Lowerable Boom Hook Mass

Unit:ton

| Boom Length (m) | No. of Reeved Lines |         |         |         |         |         |         |         |         |          |          |          |          |
|-----------------|---------------------|---------|---------|---------|---------|---------|---------|---------|---------|----------|----------|----------|----------|
|                 | 1 fall              | 2 falls | 3 falls | 4 falls | 5 falls | 6 falls | 7 falls | 8 falls | 9 falls | 10 falls | 11 falls | 12 falls | 13 falls |
| 24              | 0.6                 | 2.1     | 2.1     | 3.1     | 3.1     | 3.1     | 3.1     | 3.3     | 3.3     | 3.3      | 3.3      | 3.3      | 3.3      |
| 30              | 0.6                 | 2.1     | 2.1     | 3.1     | 3.1     | 3.1     | 3.1     | 3.3     | 3.3     | 3.3      | 3.3      | 3.3      | 3.3      |
| 36              | 0.6                 | 2.1     | 2.1     | 3.1     | 3.1     | 3.1     | 3.1     | 3.3     | 3.3     | 3.3      | 3.3      | 3.3      | 3.3      |
| 42              | 0.6                 | 2.1     | 2.1     | 3.1     | 3.1     | 3.1     | 3.1     | 3.3     | 3.3     | 3.3      | 3.3      | 3.3      | -        |
| 48              | 0.6                 | 2.1     | 2.1     | 3.1     | 3.1     | 3.1     | 3.1     | 3.3     | 3.3     | 3.3      | 3.4      | -        | -        |
| 54              | 0.6                 | 2.1     | 2.1     | 3.1     | 3.1     | 3.1     | 3.1     | 3.3     | 3.3     | -        | -        | -        | -        |
| 60              | 0.6                 | 2.1     | 2.1     | 3.1     | 3.1     | 3.1     | 3.1     | 3.3     | -       | -        | -        | -        | -        |
| 66              | 0.6                 | 2.1     | 2.1     | 3.1     | 3.1     | 3.1     | 3.1     | -       | -       | -        | -        | -        | -        |
| 72              | 0.6                 | 2.1     | 2.1     | 3.1     | 3.1     | 3.1     | 3.2     | -       | -       | -        | -        | -        | -        |

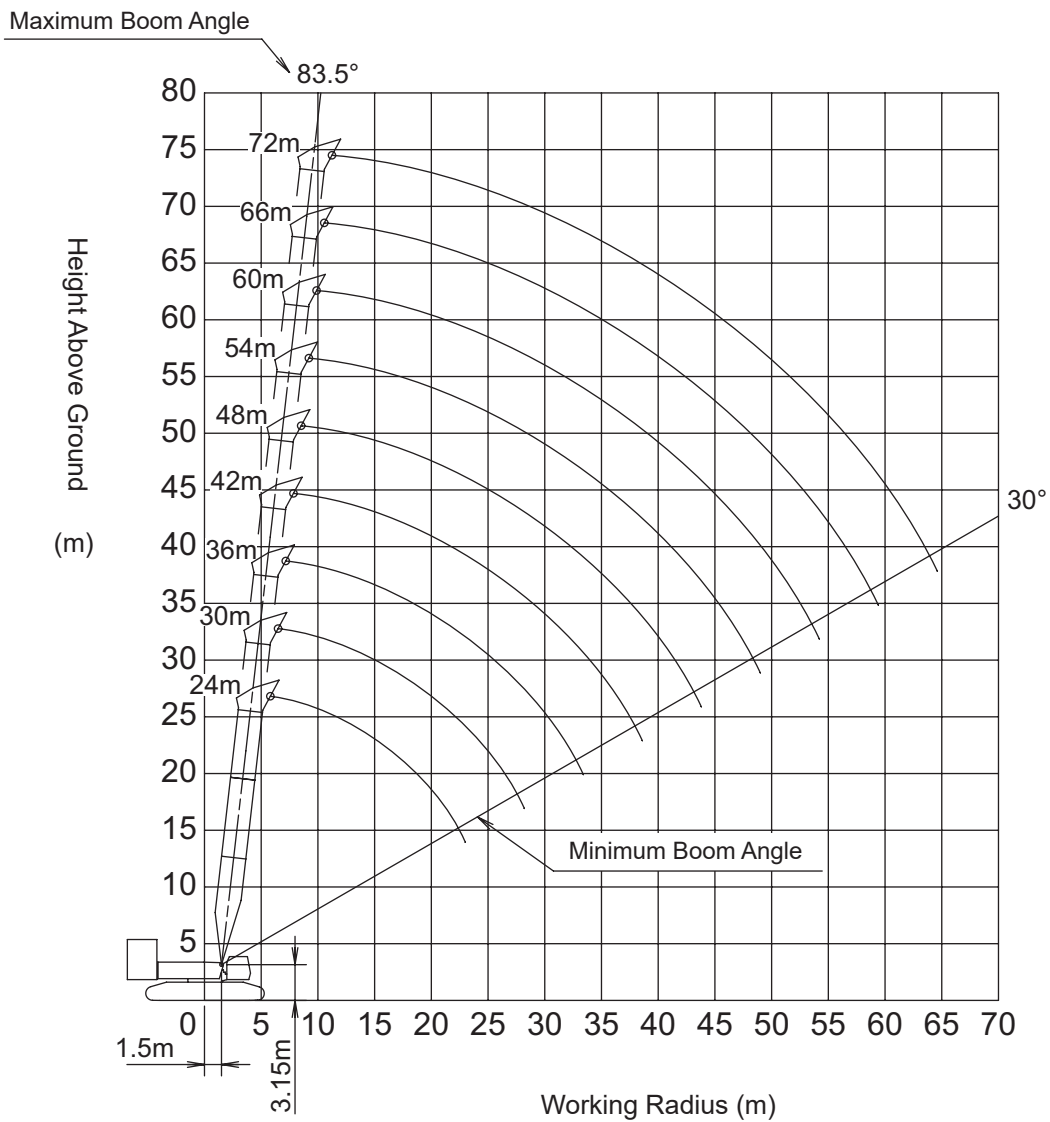
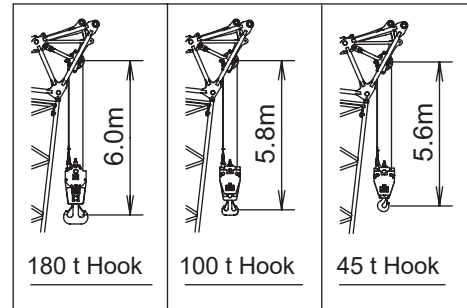
## Lowerable Crane Jib Hook Mass

Unit:ton

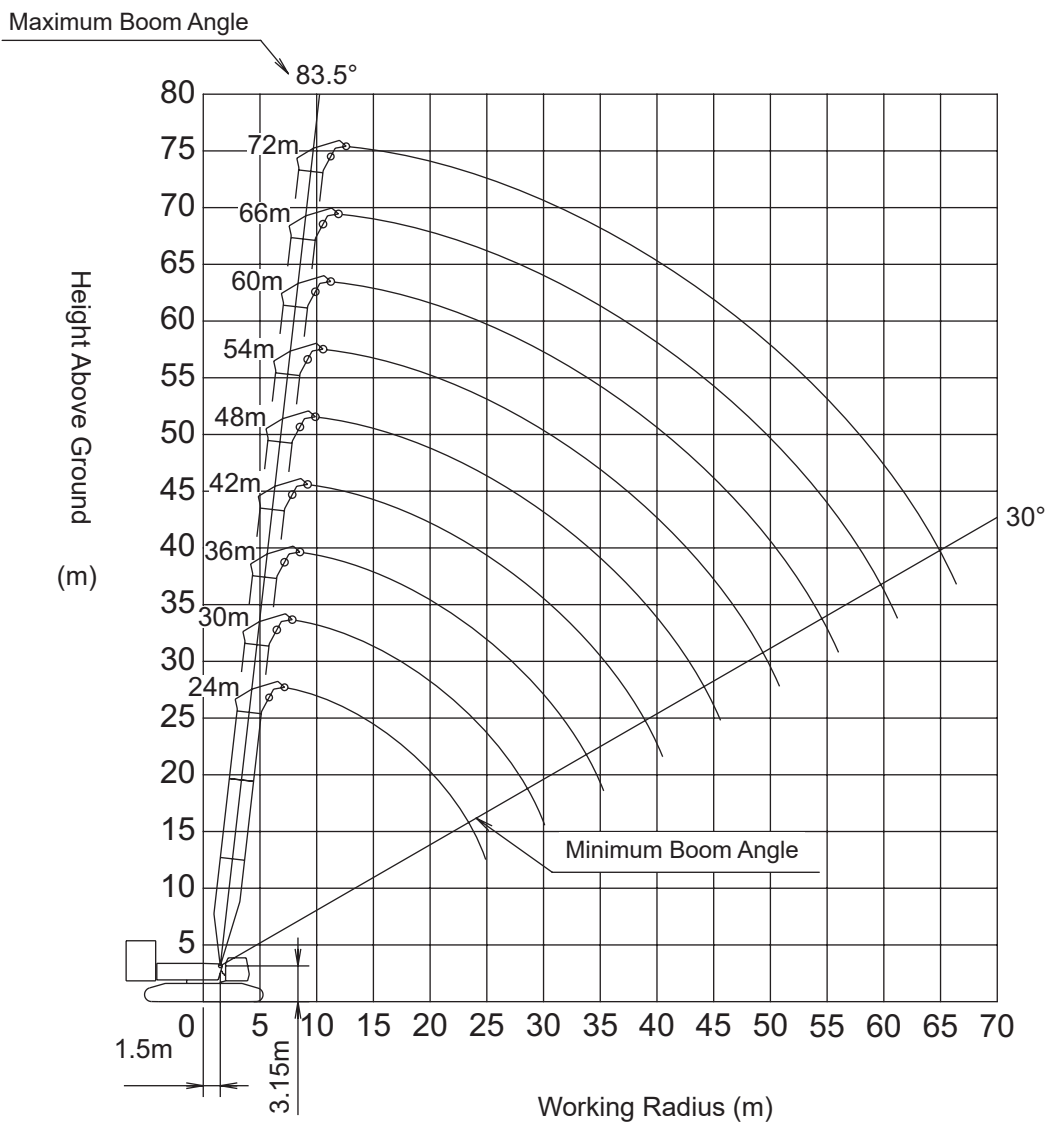
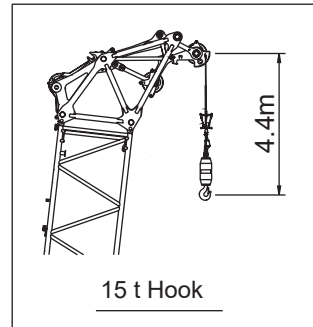
| Boom Length + Jib Length (m) | No. of Reeved Lines |         |
|------------------------------|---------------------|---------|
|                              | 1 fall              | 2 falls |
| 55                           | 0.6                 | 2.1     |
| 61                           | 0.6                 | 2.1     |
| 67                           | 0.6                 | 2.1     |
| 73                           | 0.6                 | 2.1     |
| 79                           | 0.6                 | 2.1     |
| 85                           | 0.6                 | 2.1     |
| 91                           | 0.6                 | 2.1     |
| 97                           | 0.6                 | 2.1     |
| 103                          | 0.6                 | -       |
| 109                          | 0.6                 | -       |

# Working Ranges

## ■ Main Boom (Rear end Radius: Standard)

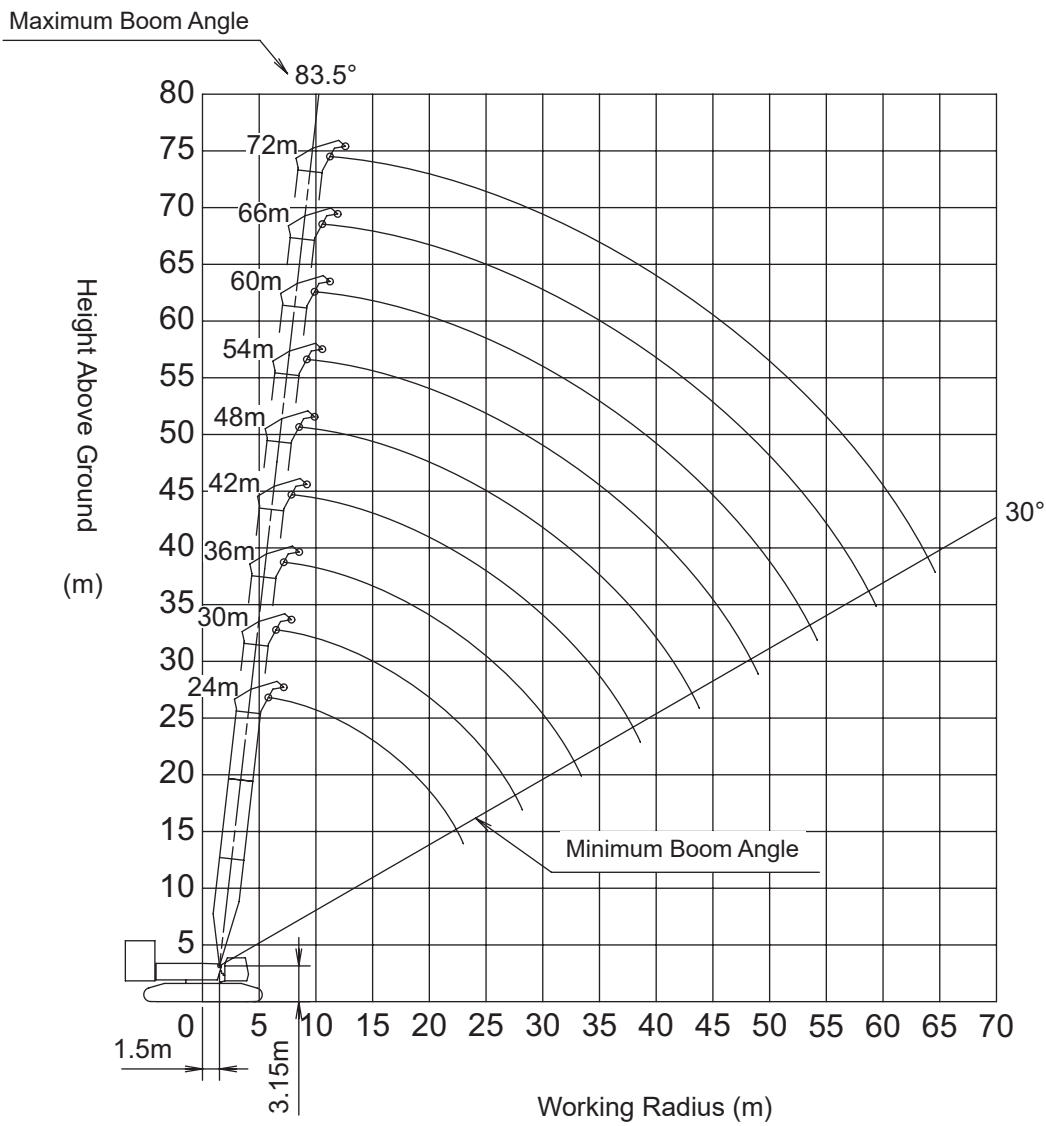
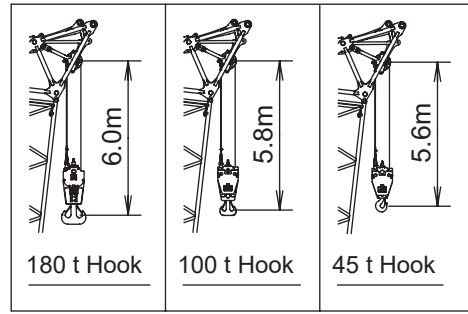


■ Aux. Sheave (Rear end Radius: Standard)

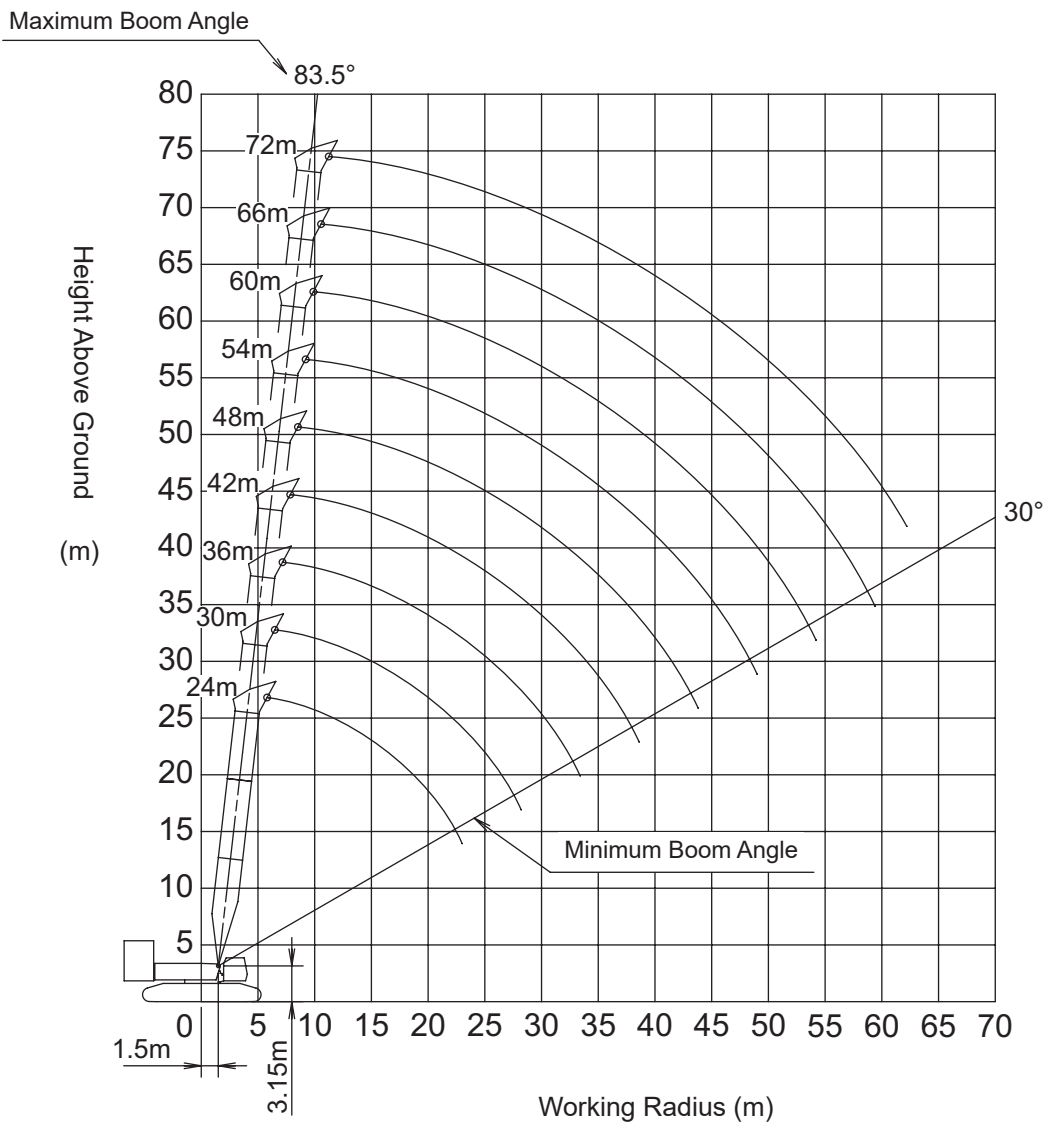
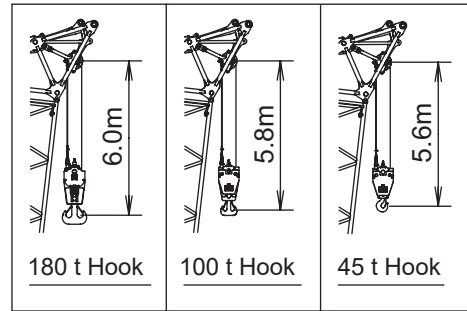




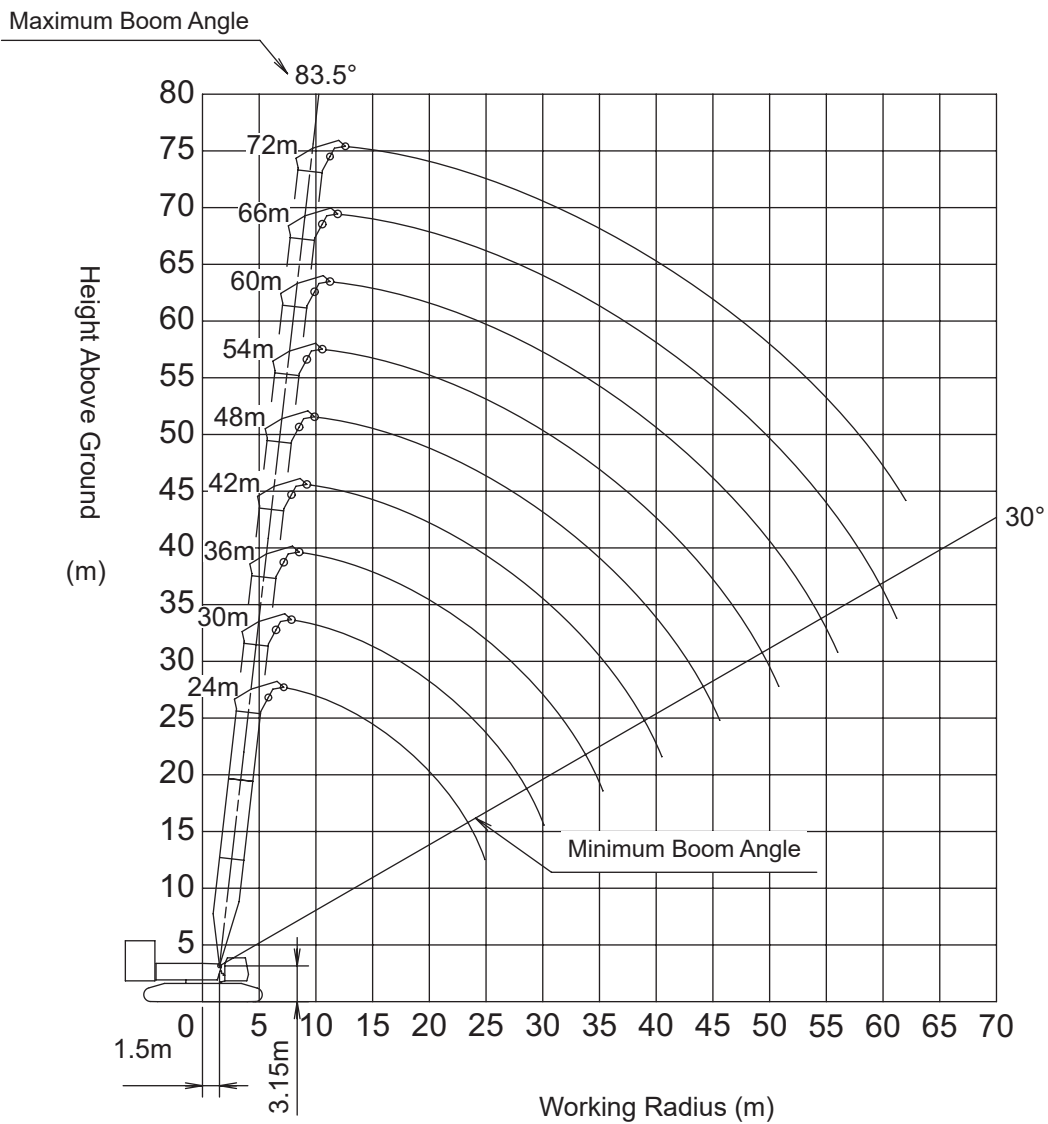
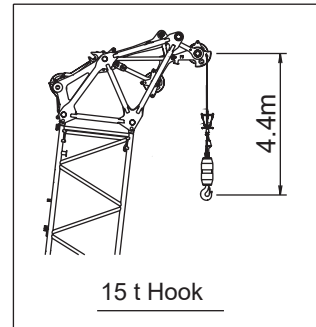
■ Main Boom with Aux. Sheave (Rear end Radius: Standard)



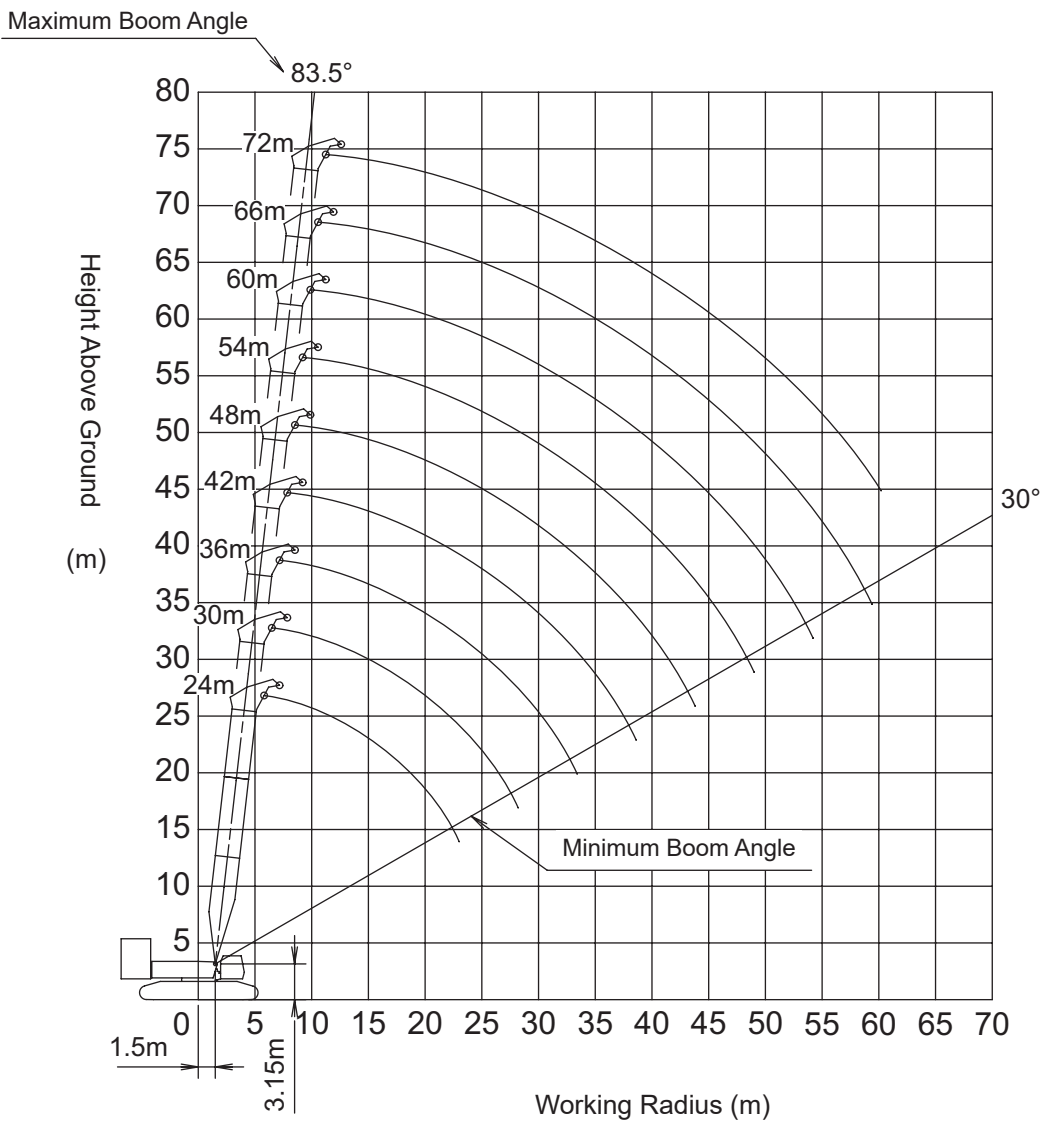
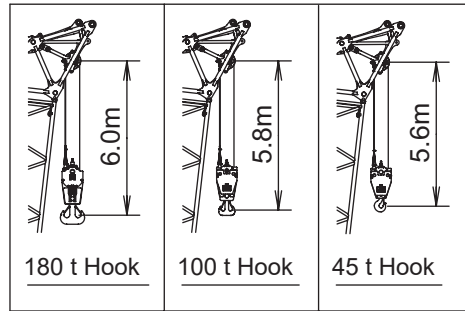
■ Main Boom (Rear end Radius: Short)



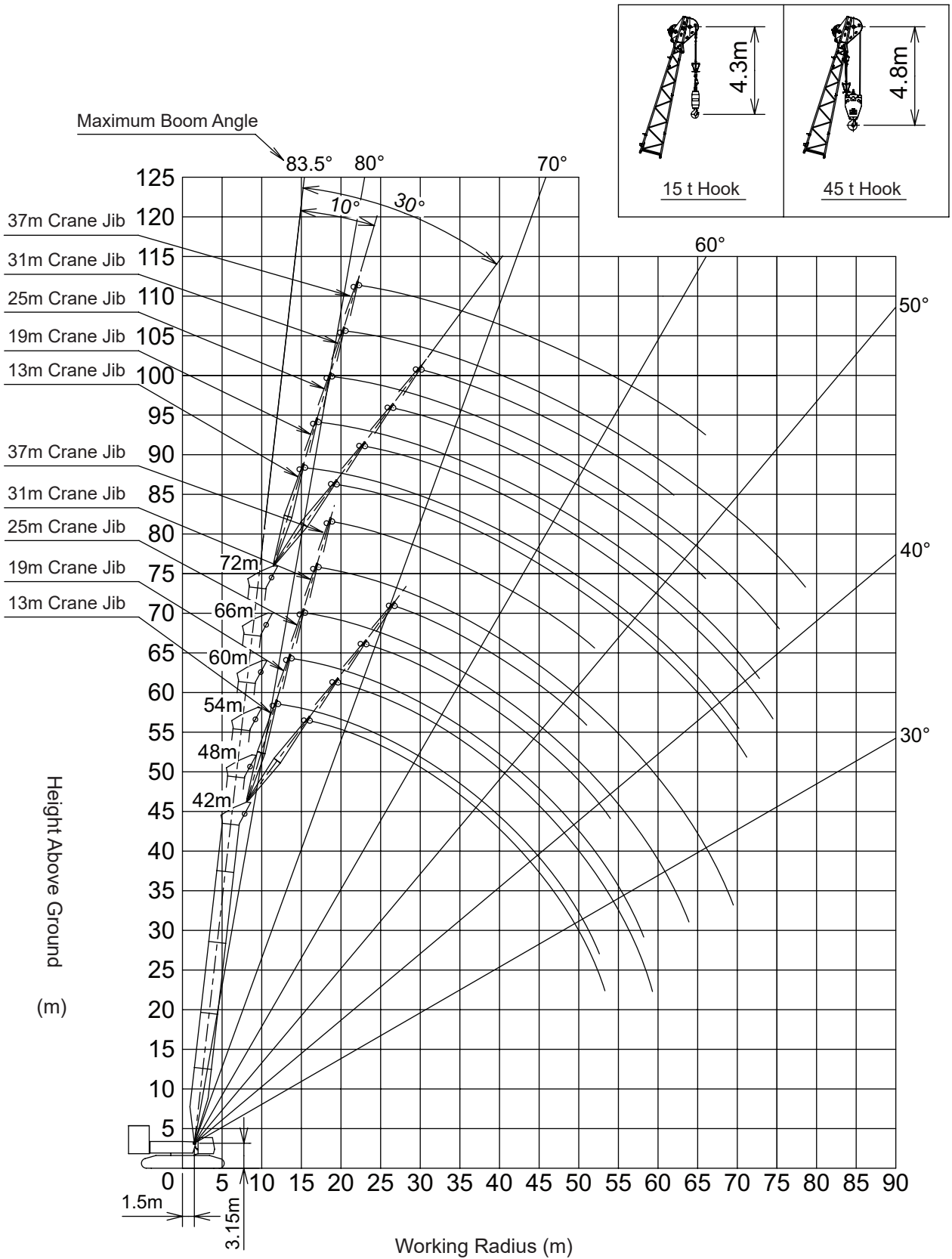
■ Aux. Sheave (Rear end Radius: Short)



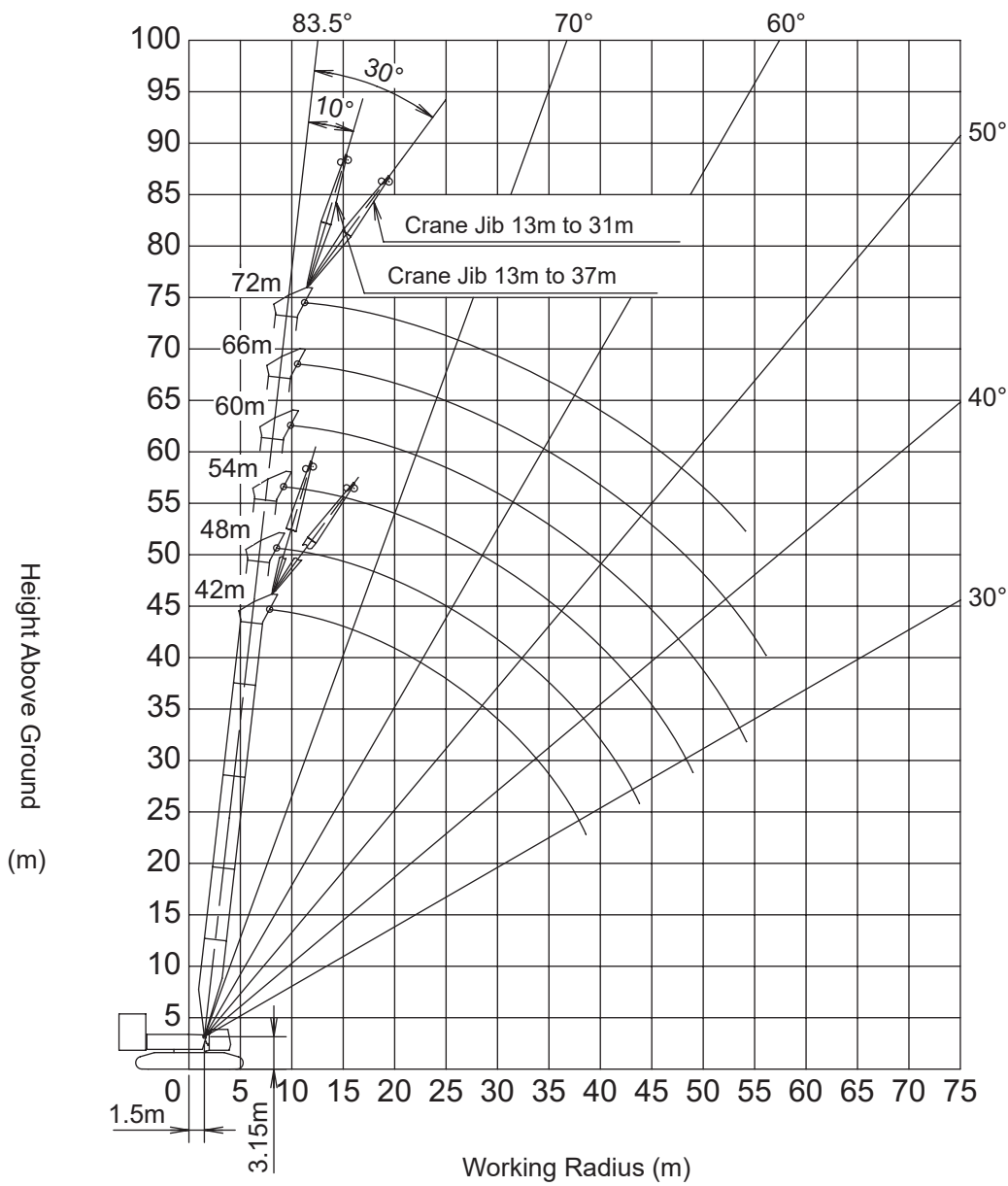
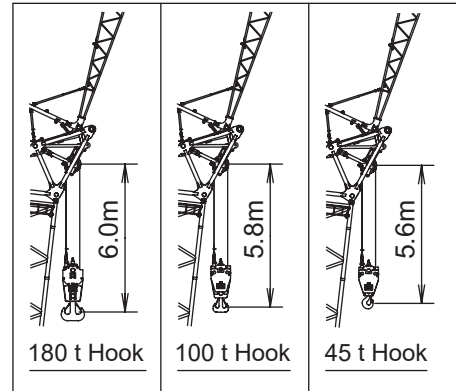
■ Main Boom with Aux. Sheave (Rear end Radius: Short)



■Crane Jib (Rear end Radius: Standard)



■ Main Boom with Crane Jib (Rear end Radius: Standard)



# Gross Rated Load Table

## ■ Main Boom (Rear end Radius: Standard)



Unit: ton

| Working Radius (m) | Boom Length (m) |               |               |               |               |               |               |               |                |                | Working Radius (m) |    |
|--------------------|-----------------|---------------|---------------|---------------|---------------|---------------|---------------|---------------|----------------|----------------|--------------------|----|
|                    | Hammer Head     | Boom Top      |               |               |               |               |               |               |                |                |                    |    |
|                    | 18              | 24            | 30            | 36            | 42            | 48            | 54            | 60            | 66             | 72             |                    |    |
| -                  |                 | 5.9m x 180.0t |               |               |               |               |               |               |                |                |                    | -  |
| 5                  | 350.0           | 180.0         | 6.5m x 180.0t |               |               |               |               |               |                |                |                    | 5  |
| 6                  | 283.6           | 180.0         | 180.0t        | 7.2m x 180.0t | 7.9m x 170.0t |               |               |               |                |                |                    | 6  |
| 7                  | 244.7           | 180.0         | 180.0         | 180.0t        | 170.0t        | 8.6m x 157.0t |               |               |                |                |                    | 7  |
| 8                  | 214.9           | 180.0         | 180.0         | 180.0         | 170.0         | 157.0t        | 9.3m x 131.0t | 9.9m x 118.0t |                |                |                    | 8  |
| 9                  | 181.5           | 180.0         | 180.0         | 180.0         | 170.0         | 157.0         | 131.0t        | 118.0t        | 10.6m x 104.0t | 11.3m x 102.9t |                    | 9  |
| 10                 | 154.8           | 180.0         | 180.0         | 180.0         | 170.0         | 157.0         | 131.0         | 118.0         | 104.0t         | 102.9t         |                    | 10 |
| 12                 | 118.2           | 155.1         | 154.6         | 153.8         | 144.3         | 143.1         | 131.0         | 118.0         | 104.0          | 101.7          |                    | 12 |
| 14                 | 93.2            | 130.6         | 129.2         | 128.4         | 121.1         | 119.9         | 112.8         | 106.2         | 104.0          | 98.5           |                    | 14 |
| 16                 | 76.4            | 109.9         | 109.8         | 108.9         | 103.7         | 102.6         | 97.0          | 91.7          | 90.4           | 85.4           |                    | 16 |
| 18                 | 17.7m x 65.8t   | 92.5          | 92.4          | 91.9          | 90.3          | 89.2          | 84.6          | 80.2          | 79.0           | 74.8           |                    | 18 |
| 20                 |                 | 79.4          | 79.3          | 78.7          | 78.3          | 77.6          | 74.6          | 70.9          | 69.7           | 66.1           |                    | 20 |
| 22                 |                 | 69.0          | 69.1          | 68.5          | 68.0          | 67.3          | 66.4          | 65.2          | 62.0           | 58.9           |                    | 22 |
| 24                 |                 | 23.0m x 64.7t | 60.8          | 60.3          | 59.8          | 59.1          | 58.4          | 57.6          | 55.6           | 52.8           |                    | 24 |
| 26                 |                 |               | 54.1          | 53.5          | 53.1          | 52.3          | 51.7          | 50.9          | 50.1           | 47.6           |                    | 26 |
| 28                 |                 |               | 48.4          | 47.9          | 47.5          | 46.7          | 46.0          | 45.2          | 44.6           | 43.6           |                    | 28 |
| 30                 |                 |               | 28.2m x 47.9t | 43.2          | 42.7          | 41.9          | 41.3          | 40.5          | 39.8           | 38.8           |                    | 30 |
| 32                 |                 |               |               | 39.1          | 38.6          | 37.9          | 37.2          | 36.4          | 35.7           | 34.7           |                    | 32 |
| 34                 |                 |               |               | 33.4m x 36.6t | 35.1          | 34.3          | 33.6          | 32.8          | 32.1           | 31.1           |                    | 34 |
| 36                 |                 |               |               |               | 32.0          | 31.2          | 30.5          | 29.7          | 29.0           | 28.0           |                    | 36 |
| 38                 |                 |               |               |               | 29.3          | 28.5          | 27.8          | 26.9          | 26.3           | 25.2           |                    | 38 |
| 40                 |                 |               |               |               | 38.6m x 28.6t | 26.1          | 25.4          | 24.5          | 23.9           | 22.8           |                    | 40 |
| 42                 |                 |               |               |               |               | 24.0          | 23.2          | 22.3          | 21.7           | 20.6           |                    | 42 |
| 44                 |                 |               |               |               |               | 43.8m x 22.2t | 21.3          | 20.4          | 19.7           | 18.7           |                    | 44 |
| 46                 |                 |               |               |               |               |               | 19.5          | 18.6          | 17.9           | 16.9           |                    | 46 |
| 48                 |                 |               |               |               |               |               | 17.9          | 17.0          | 16.3           | 15.3           |                    | 48 |
| 50                 |                 |               |               |               |               |               | 49.0m x 17.2t | 15.6          | 14.9           | 13.8           |                    | 50 |
| 52                 |                 |               |               |               |               |               |               | 14.3          | 13.6           | 12.5           |                    | 52 |
| 54                 |                 |               |               |               |               |               |               | 13.0          | 12.3           | 11.3           |                    | 54 |
| 56                 |                 |               |               |               |               |               |               | 54.2m x 12.9t | 11.2           | 10.2           |                    | 56 |
| 58                 |                 |               |               |               |               |               |               |               | 10.2           | 9.1            |                    | 58 |
| 60                 |                 |               |               |               |               |               |               |               | 59.4m x 9.5t   | 8.2            |                    | 60 |
| 62                 |                 |               |               |               |               |               |               |               |                | 7.3            |                    | 62 |
| 64                 |                 |               |               |               |               |               |               |               |                | 6.5            |                    | 64 |
| 66                 |                 |               |               |               |               |               |               |               |                | 64.6m x 6.2t   |                    | 66 |
| 68                 |                 |               |               |               |               |               |               |               |                |                |                    | 68 |

- The rated loads are determined according to EN13000 rating on the condition that the machine is stationed on firm, level ground.
- To calculate the maximum load that can actually be lifted, deduct mass of all lifting accessories, such as hook, from figures shown above.
- The figures surrounded by bold lines are based on factors other than those which would cause a tipping condition.
- Working radius is the horizontal distance from the swing center to the center of gravity of a lifted load.
- The 145 ton counter weight and 25 ton lower weight are required for all capacities on these charts.
- Figures described as OOm x OOt in the tables indicate "working radius" m x "rated load" ton.
- Correlation between the number of reeved lines, maximum rated loads, hook mass are shown in the table below.

| Hook Capacity | Hook Mass (ton) | Maximum Rated Load (ton) |         |         |         |        |        |        |        |        |        |        |        |       |
|---------------|-----------------|--------------------------|---------|---------|---------|--------|--------|--------|--------|--------|--------|--------|--------|-------|
|               |                 | 13falls                  | 12falls | 11falls | 10falls | 9falls | 8falls | 7falls | 6falls | 5falls | 4falls | 3falls | 2falls | 1fall |
| 180t          | 3.34            | 180                      | 170     | 157     | 144     | 131    | 118    | 104    | 90     | 76     | 61     | -      | -      | -     |
| 100t          | 3.11            | -                        | -       | -       | -       | -      | -      | 100    | 90     | 76     | 61     | 46     | 31     | -     |
| 45t           | 2.17            | -                        | -       | -       | -       | -      | -      | -      | -      | -      | -      | 45     | 31     | -     |
| 15t           | 0.62            | -                        | -       | -       | -       | -      | -      | -      | -      | -      | -      | -      | -      | 15    |

- The necessary mass to lower the hook refers "Lowerable Boom Hook Mass" on page 10.
- The rated total load when the operation being performed with the rear post support pendant attached is the value remaining when the value in chart below is deducted from the rated total load chart.

| Boom Length (m)       | 18  | 24  | 30  | 36  | 42  | 48  | 54  | 60  | 66  | 72  |
|-----------------------|-----|-----|-----|-----|-----|-----|-----|-----|-----|-----|
| Equivalent Mass (ton) | 0.2 | 0.3 | 0.5 | 0.7 | 0.8 | 0.9 | 1.2 | 1.4 | 1.6 | 1.7 |

- 18m boom ... with Hammer Head Boom, 350t Hook, and 28 falls.

### ■Aux. Sheave (Rear end Radius: Standard)



Unit: ton

| Working Radius (m) | Boom Length (m) |         |         |         |         |         |         |         |         | Working Radius (m) |
|--------------------|-----------------|---------|---------|---------|---------|---------|---------|---------|---------|--------------------|
|                    | 24              | 30      | 36      | 42      | 48      | 54      | 60      | 66      | 72      |                    |
| 7.5                | 15.0            | 8.2m x  | 8.9m x  |         |         |         |         |         |         | 7.5                |
| 8                  | 15.0            | 15.0t   | 15.0t   | 9.5m x  |         |         |         |         |         | 8                  |
| 9                  | 15.0            | 15.0    | 15.0    | 15.0t   | 10.2m x | 10.9m x | 11.6m x |         |         | 9                  |
| 10                 | 15.0            | 15.0    | 15.0    | 15.0    | 15.0t   | 15.0t   | 15.0t   | 12.3m x | 12.9m x | 10                 |
| 12                 | 15.0            | 15.0    | 15.0    | 15.0    | 15.0    | 15.0    | 15.0    | 15.0t   | 15.0t   | 12                 |
| 14                 | 15.0            | 15.0    | 15.0    | 15.0    | 15.0    | 15.0    | 15.0    | 15.0    | 15.0    | 14                 |
| 16                 | 15.0            | 15.0    | 15.0    | 15.0    | 15.0    | 15.0    | 15.0    | 15.0    | 15.0    | 16                 |
| 18                 | 15.0            | 15.0    | 15.0    | 15.0    | 15.0    | 15.0    | 15.0    | 15.0    | 15.0    | 18                 |
| 20                 | 15.0            | 15.0    | 15.0    | 15.0    | 15.0    | 15.0    | 15.0    | 15.0    | 15.0    | 20                 |
| 22                 | 15.0            | 15.0    | 15.0    | 15.0    | 15.0    | 15.0    | 15.0    | 15.0    | 15.0    | 22                 |
| 24                 | 15.0            | 15.0    | 15.0    | 15.0    | 15.0    | 15.0    | 15.0    | 15.0    | 15.0    | 24                 |
| 26                 | 24.9m x         | 15.0    | 15.0    | 15.0    | 15.0    | 15.0    | 15.0    | 15.0    | 15.0    | 26                 |
| 28                 | 15.0t           | 15.0    | 15.0    | 15.0    | 15.0    | 15.0    | 15.0    | 15.0    | 15.0    | 28                 |
| 30                 |                 | 15.0    | 15.0    | 15.0    | 15.0    | 15.0    | 15.0    | 15.0    | 15.0    | 30                 |
| 32                 |                 | 30.1m x | 15.0    | 15.0    | 15.0    | 15.0    | 15.0    | 15.0    | 15.0    | 32                 |
| 34                 |                 | 15.0t   | 15.0    | 15.0    | 15.0    | 15.0    | 15.0    | 15.0    | 15.0    | 34                 |
| 36                 |                 |         | 35.3m x | 15.0    | 15.0    | 15.0    | 15.0    | 15.0    | 15.0    | 36                 |
| 38                 |                 |         | 15.0t   | 15.0    | 15.0    | 15.0    | 15.0    | 15.0    | 15.0    | 38                 |
| 40                 |                 |         |         | 15.0    | 15.0    | 15.0    | 15.0    | 15.0    | 15.0    | 40                 |
| 42                 |                 |         |         | 40.5m x | 15.0    | 15.0    | 15.0    | 15.0    | 15.0    | 42                 |
| 44                 |                 |         |         | 15.0t   | 15.0    | 15.0    | 15.0    | 15.0    | 15.0    | 44                 |
| 46                 |                 |         |         |         | 45.6m x | 15.0    | 15.0    | 15.0    | 15.0    | 46                 |
| 48                 |                 |         |         |         | 15.0t   | 15.0    | 15.0    | 15.0    | 15.0    | 48                 |
| 50                 |                 |         |         |         |         | 15.0    | 15.0    | 14.8    | 13.7    | 50                 |
| 52                 |                 |         |         |         |         | 50.8m x | 14.1    | 13.4    | 12.4    | 52                 |
| 54                 |                 |         |         |         |         | 15.0t   | 12.8    | 12.1    | 11.1    | 54                 |
| 56                 |                 |         |         |         |         |         | 11.7    | 11.0    | 9.9     | 56                 |
| 58                 |                 |         |         |         |         |         |         | 9.9     | 8.9     | 58                 |
| 60                 |                 |         |         |         |         |         |         | 8.9     | 7.9     | 60                 |
| 62                 |                 |         |         |         |         |         |         | 61.2m x | 7.0     | 62                 |
| 64                 |                 |         |         |         |         |         |         | 8.4t    | 6.2     | 64                 |
| 66                 |                 |         |         |         |         |         |         |         | 5.4     | 66                 |
| 68                 |                 |         |         |         |         |         |         |         | 66.4m x | 68                 |
| 70                 |                 |         |         |         |         |         |         |         | 5.2t    | 70                 |

- The rated loads are determined according to EN13000 rating on the condition that the machine is stationed on firm, level ground.
- To calculate the maximum load that can actually be lifted, deduct mass of all lifting accessories, such as boom hook and jib hook, from figures shown above.
- The figures surrounded by bold lines are based on factors other than those which would cause a tipping condition.
- Working radius is the horizontal distance from the swing center to the center of gravity of a lifted load.
- The 145 ton counter weight and 25 ton lower weight are required for all capacities on these charts.
- Figures described as OOm x OOt in the tables indicate "working radius" m x "rated load" ton.
- Hook mass are shown in the table below.

| Hook Capacity | Hook Mass (ton) |
|---------------|-----------------|
| 180t          | 3.34            |
| 100t          | 3.11            |
| 45t           | 2.17            |
| 15t           | 0.62            |

- The rated total load when the operation being performed with the rear post support pendant attached is the value remaining when the value in chart below is deducted from the rated total load chart.

| Boom Length (m)       | 24  | 30  | 36  | 42  | 48  | 54  | 60  | 66  | 72  |
|-----------------------|-----|-----|-----|-----|-----|-----|-----|-----|-----|
| Equivalent Mass (ton) | 0.3 | 0.5 | 0.7 | 0.8 | 0.9 | 1.2 | 1.4 | 1.6 | 1.7 |



■ Main Boom with Aux. Sheave (Rear end Radius: Standard)



Unit: ton

| Working Radius (m) | Boom Length (m) |               |               |               |               |               |               |                |                | Working Radius (m) |
|--------------------|-----------------|---------------|---------------|---------------|---------------|---------------|---------------|----------------|----------------|--------------------|
|                    | 24              | 30            | 36            | 42            | 48            | 54            | 60            | 66             | 72             |                    |
| 5.9                | 180.0           | 6.5m x 180.0t |               |               |               |               |               |                |                | 5.9                |
| 6                  | 180.0           | 180.0t        | 7.2m x 180.0t | 7.9m x 170.0t |               |               |               |                |                | 6                  |
| 7                  | 180.0           | 180.0         | 180.0t        | 170.0t        | 8.6m x 157.0t |               |               |                |                | 7                  |
| 8                  | 180.0           | 180.0         | 180.0         | 170.0         | 157.0t        | 9.3m x 131.0t | 9.9m x 118.0t |                |                | 8                  |
| 9                  | 180.0           | 180.0         | 180.0         | 170.0         | 157.0         | 131.0t        | 118.0t        | 10.6m x 104.0t | 11.3m x 101.9t | 9                  |
| 10                 | 180.0           | 180.0         | 180.0         | 170.0         | 157.0         | 131.0         | 118.0         | 104.0t         | 101.9t         | 10                 |
| 12                 | 154.6           | 154.1         | 153.2         | 143.2         | 141.8         | 131.0         | 118.0         | 104.0          | 100.7          | 12                 |
| 14                 | 129.4           | 128.2         | 127.3         | 120.0         | 118.6         | 111.6         | 105.0         | 103.6          | 97.5           | 14                 |
| 16                 | 109.2           | 108.8         | 107.7         | 102.6         | 101.4         | 95.8          | 90.5          | 89.2           | 84.2           | 16                 |
| 18                 | 91.8            | 91.7          | 91.1          | 89.2          | 88.0          | 83.4          | 79.1          | 77.8           | 73.6           | 18                 |
| 20                 | 78.7            | 78.6          | 78.0          | 77.5          | 76.8          | 73.5          | 69.8          | 68.5           | 64.9           | 20                 |
| 22                 | 68.4            | 68.4          | 67.8          | 67.3          | 66.6          | 65.3          | 64.0          | 60.9           | 57.7           | 22                 |
| 24                 | 23.0m x 64.1t   | 60.2          | 59.6          | 59.1          | 58.3          | 57.7          | 56.9          | 54.5           | 51.6           | 24                 |
| 26                 |                 | 53.5          | 52.9          | 52.4          | 51.6          | 50.9          | 50.1          | 49.0           | 46.4           | 26                 |
| 28                 |                 | 47.8          | 47.3          | 46.8          | 46.0          | 45.3          | 44.5          | 43.8           | 42.7           | 28                 |
| 30                 |                 | 28.2m x 47.3t | 42.6          | 42.1          | 41.3          | 40.6          | 39.7          | 39.0           | 38.0           | 30                 |
| 32                 |                 |               | 38.5          | 38.0          | 37.2          | 36.5          | 35.6          | 34.9           | 33.9           | 32                 |
| 34                 |                 |               | 33.4m x 36.0t | 34.5          | 33.7          | 33.0          | 32.1          | 31.4           | 30.3           | 34                 |
| 36                 |                 |               |               | 31.5          | 30.6          | 29.9          | 29.0          | 28.3           | 27.2           | 36                 |
| 38                 |                 |               |               | 28.8          | 27.9          | 27.1          | 26.3          | 25.6           | 24.5           | 38                 |
| 40                 |                 |               |               | 38.6m x 28.0t | 25.5          | 24.7          | 23.8          | 23.1           | 22.1           | 40                 |
| 42                 |                 |               |               |               | 23.4          | 22.6          | 21.7          | 21.0           | 19.9           | 42                 |
| 44                 |                 |               |               |               | 43.8m x 21.7t | 20.7          | 19.7          | 19.0           | 18.0           | 44                 |
| 46                 |                 |               |               |               |               | 18.9          | 18.0          | 17.3           | 16.2           | 46                 |
| 48                 |                 |               |               |               |               | 17.4          | 16.4          | 15.7           | 14.6           | 48                 |
| 50                 |                 |               |               |               |               | 49.0m x 16.6t | 15.0          | 14.2           | 13.2           | 50                 |
| 52                 |                 |               |               |               |               |               | 13.7          | 12.9           | 11.8           | 52                 |
| 54                 |                 |               |               |               |               |               | 12.5          | 11.7           | 10.6           | 54                 |
| 56                 |                 |               |               |               |               |               | 54.2m x 12.4t | 10.6           | 9.5            | 56                 |
| 58                 |                 |               |               |               |               |               |               | 9.6            | 8.5            | 58                 |
| 60                 |                 |               |               |               |               |               |               | 59.4m x 8.9t   | 7.5            | 60                 |
| 62                 |                 |               |               |               |               |               |               |                | 6.7            | 62                 |
| 64                 |                 |               |               |               |               |               |               |                | 5.9            | 64                 |
| 66                 |                 |               |               |               |               |               |               |                | 64.6m x 5.6t   | 66                 |
| 68                 |                 |               |               |               |               |               |               |                |                | 68                 |

- The rated loads are determined according to EN13000 rating on the condition that the machine is stationed on firm, level ground.
- To calculate the maximum load that can actually be lifted, deduct mass of all lifting accessories, such as hook, from figures shown above.
- The figures surrounded by bold lines are based on factors other than those which would cause a tipping condition.
- Working radius is the horizontal distance from the swing center to the center of gravity of a lifted load.
- The 145 ton counter weight and 25 ton lower weight are required for all capacities on these charts.
- Figures described as OOm x OOt in the tables indicate "working radius" m x "rated load" ton.
- Correlation between the number of reeved lines, maximum rated loads, hook mass are shown in the table below.

| Hook Capacity | Hook Mass (ton) | Maximum Rated Load (ton) |         |         |         |        |        |        |        |        |        |        |        |       |
|---------------|-----------------|--------------------------|---------|---------|---------|--------|--------|--------|--------|--------|--------|--------|--------|-------|
|               |                 | 13falls                  | 12falls | 11falls | 10falls | 9falls | 8falls | 7falls | 6falls | 5falls | 4falls | 3falls | 2falls | 1fall |
| 180t          | 3.34            | 180                      | 170     | 157     | 144     | 131    | 118    | 104    | 90     | 76     | 61     | -      | -      | -     |
| 100t          | 3.11            | -                        | -       | -       | -       | -      | -      | 100    | 90     | 76     | 61     | 46     | 31     | -     |
| 45t           | 2.17            | -                        | -       | -       | -       | -      | -      | -      | -      | -      | -      | 45     | 31     | -     |
| 15t           | 0.62            | -                        | -       | -       | -       | -      | -      | -      | -      | -      | -      | -      | -      | 15    |

- The necessary mass to lower the hook refers "Lowerable Boom Hook Mass" on page 10.
- The rated total load when the operation being performed with the rear post support pendant is the value remaining when the value in chart below is deducted from the rated total load chart.

| Boom Length (m)       | 24  | 30  | 36  | 42  | 48  | 54  | 60  | 66  | 72  |
|-----------------------|-----|-----|-----|-----|-----|-----|-----|-----|-----|
| Equivalent Mass (ton) | 0.3 | 0.5 | 0.7 | 0.8 | 0.9 | 1.2 | 1.4 | 1.6 | 1.7 |

## ■ Main Boom (Rear end Radius: Short)



Unit: ton

| Working Radius (m) | Boom Length (m) |               |               |               |               |               |               |                |                | Working Radius (m) |
|--------------------|-----------------|---------------|---------------|---------------|---------------|---------------|---------------|----------------|----------------|--------------------|
|                    | 24              | 30            | 36            | 42            | 48            | 54            | 60            | 66             | 72             |                    |
| 5.9                | 180.0           | 6.5m x 180.0t |               |               |               |               |               |                |                | 5.9                |
| 6                  | 180.0           | 180.0t        | 7.2m x 180.0t | 7.9m x 170.0t |               |               |               |                |                | 6                  |
| 7                  | 180.0           | 180.0         | 180.0t        | 170.0t        | 8.6m x 157.0t |               |               |                |                | 7                  |
| 8                  | 180.0           | 180.0         | 180.0         | 170.0         | 157.0         | 9.3m x 131.0t | 9.9m x 118.0t |                |                | 8                  |
| 9                  | 180.0           | 180.0         | 180.0         | 170.0         | 157.0         | 131.0t        | 118.0t        | 10.6m x 104.0t | 11.3m x 100.0t | 9                  |
| 10                 | 180.0           | 180.0         | 176.9         | 170.0         | 157.0         | 131.0         | 118.0         | 104.0t         | 100.0t         | 10                 |
| 12                 | 146.3           | 143.0         | 140.4         | 138.4         | 136.5         | 131.0         | 118.0         | 104.0          | 100.0          | 12                 |
| 14                 | 120.3           | 117.7         | 115.5         | 113.8         | 112.1         | 110.5         | 105.5         | 104.0          | 97.6           | 14                 |
| 16                 | 101.3           | 99.3          | 97.4          | 95.9          | 94.4          | 92.9          | 91.0          | 89.8           | 84.8           | 16                 |
| 18                 | 86.7            | 85.3          | 83.7          | 82.4          | 80.9          | 79.5          | 78.2          | 77.1           | 74.2           | 18                 |
| 20                 | 75.1            | 74.2          | 72.9          | 71.7          | 70.4          | 69.0          | 67.7          | 66.7           | 65.5           | 20                 |
| 22                 | 65.4            | 65.2          | 64.1          | 63.1          | 61.8          | 60.6          | 59.3          | 58.3           | 57.1           | 22                 |
| 24                 | 23.0m x 60.2t   | 57.7          | 56.9          | 56.0          | 54.8          | 53.6          | 52.4          | 51.4           | 50.2           | 24                 |
| 26                 |                 | 51.2          | 50.7          | 50.0          | 48.9          | 47.8          | 46.6          | 45.6           | 44.5           | 26                 |
| 28                 |                 | 45.5          | 45.5          | 44.9          | 43.9          | 42.8          | 41.6          | 40.7           | 39.6           | 28                 |
| 30                 |                 | 28.2m x 45.0t | 40.8          | 40.5          | 39.5          | 38.5          | 37.4          | 36.5           | 35.4           | 30                 |
| 32                 |                 |               | 36.7          | 36.6          | 35.7          | 34.7          | 33.7          | 32.8           | 31.7           | 32                 |
| 34                 |                 |               | 33.4m x 34.1t | 33.1          | 32.4          | 31.4          | 30.4          | 29.6           | 28.5           | 34                 |
| 36                 |                 |               |               | 30.0          | 29.4          | 28.5          | 27.5          | 26.7           | 25.6           | 36                 |
| 38                 |                 |               |               | 27.1          | 26.7          | 25.9          | 24.9          | 24.1           | 23.1           | 38                 |
| 40                 |                 |               |               | 38.6m x 26.3t | 24.2          | 23.5          | 22.6          | 21.8           | 20.8           | 40                 |
| 42                 |                 |               |               |               | 22.0          | 21.3          | 20.5          | 19.7           | 18.7           | 42                 |
| 44                 |                 |               |               |               | 43.8m x 20.1t | 19.3          | 18.5          | 17.8           | 16.8           | 44                 |
| 46                 |                 |               |               |               |               | 17.5          | 16.7          | 16.1           | 15.1           | 46                 |
| 48                 |                 |               |               |               |               | 15.8          | 15.1          | 14.5           | 13.5           | 48                 |
| 50                 |                 |               |               |               |               | 49.0m x 14.9t | 13.6          | 13.0           | 12.1           | 50                 |
| 52                 |                 |               |               |               |               |               | 12.1          | 11.6           | 10.7           | 52                 |
| 54                 |                 |               |               |               |               |               | 10.8          | 10.3           | 9.4            | 54                 |
| 56                 |                 |               |               |               |               |               | 54.2m x 10.6t | 9.1            | 8.3            | 56                 |
| 58                 |                 |               |               |               |               |               |               | 7.9            | 7.2            | 58                 |
| 60                 |                 |               |               |               |               |               |               | 59.4m x 7.2t   | 6.1            | 60                 |
| 62                 |                 |               |               |               |               |               |               |                | 5.1            | 62                 |
| 64                 |                 |               |               |               |               |               |               |                | 62.2m x 5.0t   | 64                 |
| 66                 |                 |               |               |               |               |               |               |                |                | 66                 |

- The rated loads are determined according to EN13000 rating on the condition that the machine is stationed on firm, level ground.
- To calculate the maximum load that can actually be lifted, deduct mass of all lifting accessories, such as hook, from figures shown above.
- The figures surrounded by bold lines are based on factors other than those which would cause a tipping condition.
- Working radius is the horizontal distance from the swing center to the center of gravity of a lifted load.
- The 145 ton counter weight and 25 ton lower weight are required for all capacities on these charts.
- Figures described as OOm x OOt in the tables indicate "working radius" m x "rated load" ton.
- Correlation between the number of reeved lines, maximum rated loads, hook mass are shown in the table below.

| Hook Capacity | Hook Mass (ton) | Maximum Rated Load (ton) |         |         |         |        |        |        |        |        |        |        |        |       |
|---------------|-----------------|--------------------------|---------|---------|---------|--------|--------|--------|--------|--------|--------|--------|--------|-------|
|               |                 | 13falls                  | 12falls | 11falls | 10falls | 9falls | 8falls | 7falls | 6falls | 5falls | 4falls | 3falls | 2falls | 1fall |
| 180t          | 3.34            | 180                      | 170     | 157     | 144     | 131    | 118    | 104    | 90     | 76     | 61     | -      | -      | -     |
| 100t          | 3.11            | -                        | -       | -       | -       | -      | -      | 100    | 90     | 76     | 61     | 46     | 31     | -     |
| 45t           | 2.17            | -                        | -       | -       | -       | -      | -      | -      | -      | -      | -      | 45     | 31     | -     |
| 15t           | 0.62            | -                        | -       | -       | -       | -      | -      | -      | -      | -      | -      | -      | -      | 15    |

- The necessary mass to lower the hook refers "Lowerable Boom Hook Mass" on page 10.
- The rated total load when the operation being performed with the rear post support pendant attached is the value remaining when the value in chart below is deducted from the rated total load chart.

| Boom Length (m)       | 24  | 30  | 36  | 42  | 48  | 54  | 60  | 66  | 72  |
|-----------------------|-----|-----|-----|-----|-----|-----|-----|-----|-----|
| Equivalent Mass (ton) | 0.3 | 0.5 | 0.7 | 0.8 | 0.9 | 1.2 | 1.4 | 1.6 | 1.7 |

■ Aux. Sheave (Rear end Radius: Short)



Unit: ton

| Working Radius (m) | Boom Length (m) |         |         |         |         |         |         |         |         | Working Radius (m) |
|--------------------|-----------------|---------|---------|---------|---------|---------|---------|---------|---------|--------------------|
|                    | 24              | 30      | 36      | 42      | 48      | 54      | 60      | 66      | 72      |                    |
| 7.5                | 15.0            | 8.2m x  | 8.9m x  |         |         |         |         |         |         | 7.5                |
| 8                  | 15.0            | 15.0t   | 15.0t   | 9.5m x  |         |         |         |         |         | 8                  |
| 9                  | 15.0            | 15.0    | 15.0    | 15.0t   | 10.2m x | 10.9m x | 11.6m x |         |         | 9                  |
| 10                 | 15.0            | 15.0    | 15.0    | 15.0    | 15.0t   | 15.0t   | 15.0t   | 12.3m x | 12.9m x | 10                 |
| 12                 | 15.0            | 15.0    | 15.0    | 15.0    | 15.0    | 15.0    | 15.0    | 15.0t   | 15.0t   | 12                 |
| 14                 | 15.0            | 15.0    | 15.0    | 15.0    | 15.0    | 15.0    | 15.0    | 15.0    | 15.0    | 14                 |
| 16                 | 15.0            | 15.0    | 15.0    | 15.0    | 15.0    | 15.0    | 15.0    | 15.0    | 15.0    | 16                 |
| 18                 | 15.0            | 15.0    | 15.0    | 15.0    | 15.0    | 15.0    | 15.0    | 15.0    | 15.0    | 18                 |
| 20                 | 15.0            | 15.0    | 15.0    | 15.0    | 15.0    | 15.0    | 15.0    | 15.0    | 15.0    | 20                 |
| 22                 | 15.0            | 15.0    | 15.0    | 15.0    | 15.0    | 15.0    | 15.0    | 15.0    | 15.0    | 22                 |
| 24                 | 15.0            | 15.0    | 15.0    | 15.0    | 15.0    | 15.0    | 15.0    | 15.0    | 15.0    | 24                 |
| 26                 | 24.9m x         | 15.0    | 15.0    | 15.0    | 15.0    | 15.0    | 15.0    | 15.0    | 15.0    | 26                 |
| 28                 | 15.0t           | 15.0    | 15.0    | 15.0    | 15.0    | 15.0    | 15.0    | 15.0    | 15.0    | 28                 |
| 30                 |                 | 15.0    | 15.0    | 15.0    | 15.0    | 15.0    | 15.0    | 15.0    | 15.0    | 30                 |
| 32                 |                 | 30.1m x | 15.0    | 15.0    | 15.0    | 15.0    | 15.0    | 15.0    | 15.0    | 32                 |
| 34                 |                 | 15.0t   | 15.0    | 15.0    | 15.0    | 15.0    | 15.0    | 15.0    | 15.0    | 34                 |
| 36                 |                 |         | 35.3m x | 15.0    | 15.0    | 15.0    | 15.0    | 15.0    | 15.0    | 36                 |
| 38                 |                 |         | 15.0t   | 15.0    | 15.0    | 15.0    | 15.0    | 15.0    | 15.0    | 38                 |
| 40                 |                 |         |         | 15.0    | 15.0    | 15.0    | 15.0    | 15.0    | 15.0    | 40                 |
| 42                 |                 |         |         | 40.5m x | 15.0    | 15.0    | 15.0    | 15.0    | 15.0    | 42                 |
| 44                 |                 |         |         | 15.0t   | 15.0    | 15.0    | 15.0    | 15.0    | 15.0    | 44                 |
| 46                 |                 |         |         |         | 45.6m x | 15.0    | 15.0    | 15.0    | 15.0    | 46                 |
| 48                 |                 |         |         |         | 15.0t   | 15.0    | 15.0    | 14.5    | 13.6    | 48                 |
| 50                 |                 |         |         |         |         | 14.2    | 13.6    | 13.0    | 12.1    | 50                 |
| 52                 |                 |         |         |         |         | 50.8m x | 12.1    | 11.6    | 10.7    | 52                 |
| 54                 |                 |         |         |         |         | 13.6t   | 10.8    | 10.3    | 9.4     | 54                 |
| 56                 |                 |         |         |         |         |         | 9.5     | 9.1     | 8.2     | 56                 |
| 58                 |                 |         |         |         |         |         |         | 7.9     | 7.1     | 58                 |
| 60                 |                 |         |         |         |         |         |         | 6.8     | 6.0     | 60                 |
| 62                 |                 |         |         |         |         |         |         | 61.2m x | 5.0     | 62                 |
| 64                 |                 |         |         |         |         |         |         | 6.1t    |         | 64                 |

1. The rated loads are determined according to EN13000 rating on the condition that the machine is stationed on firm, level ground.
2. To calculate the maximum load that can actually be lifted, deduct mass of all lifting accessories, such as boom hook and jib hook, from figures shown above.
3. The figures surrounded by bold lines are based on factors other than those which would cause a tipping condition.
4. Working radius is the horizontal distance from the swing center to the center of gravity of a lifted load.
5. The 145 ton counter weight and 25 ton lower weight are required for all capacities on these charts.
6. Figures described as OOm x OOt in the tables indicate "working radius" m x "rated load" ton.
7. Hook mass are shown in the table below.

| Hook Capacity | Hook Mass (ton) |
|---------------|-----------------|
| 180t          | 3.34            |
| 100t          | 3.11            |
| 45t           | 2.17            |
| 15t           | 0.62            |

8. The rated total load when the operation being performed with the rear post support pendant attached is the value remaining when the value in chart below is deducted from the rated total load chart.

| Boom Length (m)       | 24  | 30  | 36  | 42  | 48  | 54  | 60  | 66  | 72  |
|-----------------------|-----|-----|-----|-----|-----|-----|-----|-----|-----|
| Equivalent Mass (ton) | 0.3 | 0.5 | 0.7 | 0.8 | 0.9 | 1.2 | 1.4 | 1.6 | 1.7 |

■ Main Boom with Aux. Sheave (Rear end Radius: Short)



Unit: ton

| Working Radius (m) | Boom Length (m) |         |         |         |         |         |         |         |         | Working Radius (m) |
|--------------------|-----------------|---------|---------|---------|---------|---------|---------|---------|---------|--------------------|
|                    | 24              | 30      | 36      | 42      | 48      | 54      | 60      | 66      | 72      |                    |
| 5.9                | 180.0           | 6.5m x  |         |         |         |         |         |         |         | 5.9                |
| 6                  | 180.0           | 180.0t  | 7.2m x  | 7.9m x  |         |         |         |         |         | 6                  |
| 7                  | 180.0           | 180.0   | 180.0t  | 170.0t  | 8.6m x  |         |         |         |         | 7                  |
| 8                  | 180.0           | 180.0   | 180.0   | 170.0   | 157.0t  | 9.3m x  | 9.9m x  |         |         | 8                  |
| 9                  | 180.0           | 180.0   | 180.0   | 170.0   | 157.0   | 131.0t  | 118.0t  | 10.6m x | 11.3m x | 9                  |
| 10                 | 180.0           | 178.8   | 175.5   | 170.0   | 157.0   | 131.0   | 118.0   | 104.0t  | 100.0t  | 10                 |
| 12                 | 145.1           | 141.8   | 139.1   | 137.1   | 135.1   | 131.0   | 118.0   | 104.0   | 100.0   | 12                 |
| 14                 | 119.1           | 116.6   | 114.3   | 112.6   | 110.8   | 109.2   | 104.3   | 102.9   | 96.1    | 14                 |
| 16                 | 100.2           | 98.2    | 96.3    | 94.8    | 93.1    | 91.6    | 89.9    | 88.5    | 83.6    | 16                 |
| 18                 | 85.7            | 84.2    | 82.6    | 81.2    | 79.7    | 78.3    | 76.9    | 75.8    | 73.0    | 18                 |
| 20                 | 74.0            | 73.2    | 71.8    | 70.6    | 69.2    | 67.8    | 66.5    | 65.4    | 64.2    | 20                 |
| 22                 | 64.4            | 64.2    | 63.0    | 62.0    | 60.7    | 59.4    | 58.1    | 57.1    | 55.8    | 22                 |
| 24                 | 23.0m x         | 56.7    | 55.8    | 54.9    | 53.7    | 52.5    | 51.2    | 50.2    | 49.0    | 24                 |
| 26                 | 59.3t           | 50.2    | 49.7    | 49.0    | 47.8    | 46.6    | 45.4    | 44.4    | 43.3    | 26                 |
| 28                 |                 | 44.6    | 44.5    | 43.9    | 42.8    | 41.7    | 40.5    | 39.5    | 38.4    | 28                 |
| 30                 |                 | 28.2m x | 39.9    | 39.5    | 38.5    | 37.4    | 36.3    | 35.3    | 34.2    | 30                 |
| 32                 |                 | 44.0t   | 35.8    | 35.6    | 34.7    | 33.7    | 32.6    | 31.7    | 30.5    | 32                 |
| 34                 |                 |         | 33.4m x | 32.1    | 31.4    | 30.4    | 29.3    | 28.4    | 27.3    | 34                 |
| 36                 |                 |         | 33.1t   | 29.1    | 28.4    | 27.5    | 26.4    | 25.6    | 24.5    | 36                 |
| 38                 |                 |         |         | 26.2    | 25.7    | 24.8    | 23.8    | 23.0    | 21.9    | 38                 |
| 40                 |                 |         |         | 38.6m x | 23.3    | 22.5    | 21.5    | 20.7    | 19.6    | 40                 |
| 42                 |                 |         |         | 25.4t   | 21.0    | 20.3    | 19.4    | 18.6    | 17.6    | 42                 |
| 44                 |                 |         |         |         | 43.8m x | 18.4    | 17.5    | 16.7    | 15.7    | 44                 |
| 46                 |                 |         |         |         | 19.1t   | 16.5    | 15.7    | 15.0    | 14.0    | 46                 |
| 48                 |                 |         |         |         |         | 14.8    | 14.1    | 13.4    | 12.4    | 48                 |
| 50                 |                 |         |         |         |         | 49.0m x | 12.6    | 11.9    | 11.0    | 50                 |
| 52                 |                 |         |         |         |         | 14.0t   | 11.2    | 10.6    | 9.6     | 52                 |
| 54                 |                 |         |         |         |         |         | 9.8     | 9.3     | 8.4     | 54                 |
| 56                 |                 |         |         |         |         |         | 54.2m x | 8.1     | 7.2     | 56                 |
| 58                 |                 |         |         |         |         |         | 9.7t    | 7.0     | 6.1     | 58                 |
| 60                 |                 |         |         |         |         |         |         | 59.4m x | 5.1     | 60                 |
| 62                 |                 |         |         |         |         |         |         | 6.2t    | 60.2m x | 62                 |
| 64                 |                 |         |         |         |         |         |         |         | 5.0t    | 64                 |

- The rated loads are determined according to EN13000 rating on the condition that the machine is stationed on firm, level ground.
- To calculate the maximum load that can actually be lifted, deduct mass of all lifting accessories, such as hook, from figures shown above.
- The figures surrounded by bold lines are based on factors other than those which would cause a tipping condition.
- Working radius is the horizontal distance from the swing center to the center of gravity of a lifted load.
- The 145 ton counter weight and 25 ton lower weight are required for all capacities on these charts.
- Figures described as OOm x OOt in the tables indicate "working radius" m x "rated load" ton.
- Correlation between the number of reeved lines, maximum rated loads, hook mass are shown in the table below.

| Hook Capacity | Hook Mass (ton) | Maximum Rated Load (ton) |         |         |         |        |        |        |        |        |        |        |        |       |
|---------------|-----------------|--------------------------|---------|---------|---------|--------|--------|--------|--------|--------|--------|--------|--------|-------|
|               |                 | 13falls                  | 12falls | 11falls | 10falls | 9falls | 8falls | 7falls | 6falls | 5falls | 4falls | 3falls | 2falls | 1fall |
| 180t          | 3.34            | 180                      | 170     | 157     | 144     | 131    | 118    | 104    | 90     | 76     | 61     | -      | -      | -     |
| 100t          | 3.11            | -                        | -       | -       | -       | -      | -      | 100    | 90     | 76     | 61     | 46     | 31     | -     |
| 45t           | 2.17            | -                        | -       | -       | -       | -      | -      | -      | -      | -      | -      | 45     | 31     | -     |
| 15t           | 0.62            | -                        | -       | -       | -       | -      | -      | -      | -      | -      | -      | -      | -      | 15    |

- The necessary mass to lower the hook refers "Lowerable Boom Hook Mass" on page 10.
- The rated total load when the operation being performed with the rear post support pendant attached is the value remaining when the value in chart below is deducted from the rated total load chart.

| Boom Length (m)       | 24  | 30  | 36  | 42  | 48  | 54  | 60  | 66  | 72  |
|-----------------------|-----|-----|-----|-----|-----|-----|-----|-----|-----|
| Equivalent Mass (ton) | 0.3 | 0.5 | 0.7 | 0.8 | 0.9 | 1.2 | 1.4 | 1.6 | 1.7 |

■Crane Jib (Rear end Radius: Standard)



| Boom Length (m)     |         | 42      |                  |    |                  |   | Boom Length (m)  |                     |      |
|---------------------|---------|---------|------------------|----|------------------|---|------------------|---------------------|------|
| Jib Length (m)      |         | 13      |                  |    | 19               |   | Jib Length (m)   |                     |      |
| Offset Angle (deg.) |         | 10      |                  | 30 | 10               |   | 30               | Offset Angle (deg.) |      |
| Working Radius (m)  |         | 10      |                  | 30 | 10               |   | 30               | Working Radius (m)  |      |
| -                   |         |         | 12.4m x<br>15.0t |    | 13.8m x<br>25.0t |   | 14.1m x<br>15.0t |                     | -    |
| 12.1                | 30.0    |         |                  |    | 24.9             |   |                  |                     | 12.1 |
| 14                  | 30.0    |         | 16.4m x          |    | 24.2             |   | 15.0             |                     | 14   |
| 16                  | 30.0    |         | 13.9t            |    | 23.5             |   | 15.0             |                     | 16   |
| 18                  | 30.0    |         | 13.4             |    | 22.8             |   | 15.0             |                     | 18   |
| 20                  | 30.0    |         | 12.8             |    | 22.2             |   | 15.0             | 10.4                | 20   |
| 22                  | 29.0    |         | 12.3             |    | 21.6             |   | 15.0             | 9.9                 | 22   |
| 24                  | 27.1    |         | 11.8             |    | 21.0             |   | 15.0             | 9.5                 | 24   |
| 26                  | 25.5    |         | 11.4             |    | 20.4             |   | 15.0             | 9.2                 | 26   |
| 28                  | 24.0    |         | 11.0             |    | 19.9             |   | 15.0             | 8.8                 | 28   |
| 30                  | 22.7    |         | 10.7             |    | 18.8             |   | 15.0             | 8.5                 | 30   |
| 32                  | 21.6    |         | 10.4             |    | 17.9             |   | 15.0             | 8.2                 | 32   |
| 34                  | 20.5    |         | 10.1             |    | 17.0             |   | 15.0             | 7.9                 | 34   |
| 36                  | 19.6    |         | 9.8              |    | 16.2             |   | 15.0             | 7.7                 | 36   |
| 38                  | 18.7    |         | 9.6              |    | 15.5             |   | 15.0             | 7.5                 | 38   |
| 40                  | 17.9    |         | 9.4              |    | 14.9             |   | 14.9             | 7.3                 | 40   |
| 42                  | 17.2    |         | 9.2              |    | 14.3             |   | 14.3             | 7.1                 | 42   |
| 44                  | 16.6    |         | 9.0              |    | 13.8             |   | 13.8             | 6.9                 | 44   |
| 46                  | 16.0    |         | 8.9              |    | 13.3             |   | 13.3             | 6.8                 | 46   |
| 48                  | 15.5    |         | 8.8              |    | 12.8             |   | 12.8             | 6.6                 | 48   |
| 50                  | 15.0    |         | 8.7              |    | 12.4             |   | 12.4             | 6.5                 | 50   |
| 52                  | 51.8m x |         | 8.7              |    | 12.0             |   | 12.0             | 6.4                 | 52   |
| 54                  | 14.6t   | 52.6m x | 53.3m x          |    | 11.6             |   | 11.6             | 6.3                 | 54   |
| 56                  |         | 14.4t   | 8.6t             |    | 11.2             |   | 11.2             | 6.3                 | 56   |
| 58                  |         |         |                  |    | 57.5m x          |   | 58.2m x          | 6.3                 | 58   |
| 60                  |         |         |                  |    | 11.4t            |   | 59.3m x          | 6.2t                | 60   |
| 62                  |         |         |                  |    |                  |   |                  |                     | 62   |
| No. of part line    | 2       | 1       | 1                | 2  | 1                | 1 | No. of part line |                     |      |

- The rated loads are determined according to EN13000 rating on the condition that the machine is stationed on firm, level ground.
- To calculate the maximum load that can actually be lifted, deduct mass of all lifting accessories, such as boom hook and jib hook, from figures shown above.
- The figures surrounded by bold lines are based on factors other than those which would cause a tipping condition.
- Working radius is the horizontal distance from the swing center to the center of gravity of a lifted load.
- The 145 ton counter weight and 25 ton lower weight are required for all capacities on these charts.
- Figures described as OOm x OOt in the tables indicate "working radius" m x "rated load" ton.
- Correlation between the number of reeved lines, maximum rated loads, hook mass are shown in the table below.

| Hook Capacity | Hook Mass (ton) | Maximum Rated Load (ton) |        |
|---------------|-----------------|--------------------------|--------|
|               |                 | 2 falls                  | 1 fall |
| 180t          | 3.34            | -                        | -      |
| 100t          | 3.11            | 30                       | -      |
| 45t           | 2.17            | 30                       | -      |
| 15t           | 0.62            | -                        | 15     |

- The necessary mass to lower the boom hook refers "Lowerable Boom Hook Mass" on page 10.
- The necessary mass to lower the crane jib hook refers "Lowerable Crane Jib Hook Mass" on page 10.
- The rated total load when the operation being performed with the rear post support pendant attached is the value remaining when the value in chart below is deducted from the rated total load chart.

| Boom Length (m)       | 42  | 48  | 54  | 60  | 66  | 72  |
|-----------------------|-----|-----|-----|-----|-----|-----|
| Equivalent Mass (ton) | 0.8 | 0.9 | 1.2 | 1.4 | 1.6 | 1.7 |

■Crane Jib (Rear end Radius: Standard)



| Unit: ton           |         |         |         |         |         |         |                     |
|---------------------|---------|---------|---------|---------|---------|---------|---------------------|
| Boom Length (m)     | 42      |         |         |         |         |         | Boom Length (m)     |
| Jib Length (m)      | 25      |         |         | 31      |         | 37      | Jib Length (m)      |
| Offset Angle (deg.) | 10      |         | 30      | 10      | 30      | 10      | Offset Angle (deg.) |
| Working Radius (m)  |         |         |         |         |         |         | Working Radius (m)  |
| 12                  | 15.5m x | 15.8m x |         |         |         |         | 12                  |
| 14                  | 19.0t   | 15.0t   |         | 17.5m x |         |         | 14                  |
| 16                  | 18.9    | 15.0    |         | 14.1t   |         | 19.2m x | 16                  |
| 18                  | 18.3    | 15.0    |         | 14.0    |         | 8.9t    | 18                  |
| 20                  | 17.7    | 15.0    | 23.6m x | 13.5    |         | 8.8     | 20                  |
| 22                  | 17.2    | 15.0    | 8.1t    | 13.0    |         | 8.6     | 22                  |
| 24                  | 16.6    | 15.0    | 8.0     | 12.5    | 27.1m x | 8.3     | 24                  |
| 26                  | 16.0    | 15.0    | 7.7     | 12.1    | 7.5t    | 8.0     | 26                  |
| 28                  | 15.5    | 15.0    | 7.3     | 11.6    | 7.3     | 7.6     | 28                  |
| 30                  | 15.0    | 15.0    | 7.1     | 11.2    | 7.0     | 7.3     | 30                  |
| 32                  | 14.5    | 14.5    | 6.8     | 10.8    | 6.8     | 7.0     | 32                  |
| 34                  | 14.0    | 14.0    | 6.5     | 10.5    | 6.5     | 6.8     | 34                  |
| 36                  | 13.5    | 13.5    | 6.3     | 10.1    | 6.3     | 6.5     | 36                  |
| 38                  | 13.1    | 13.1    | 6.1     | 9.8     | 6.1     | 6.3     | 38                  |
| 40                  | 12.7    | 12.7    | 5.9     | 9.5     | 5.9     | 6.0     | 40                  |
| 42                  | 12.4    | 12.4    | 5.7     | 9.3     | 5.7     | 5.8     | 42                  |
| 44                  | 12.0    | 12.0    | 5.6     | 9.0     | 5.5     | 5.6     | 44                  |
| 46                  | 11.7    | 11.7    | 5.4     | 8.8     | 5.4     | 5.5     | 46                  |
| 48                  | 11.4    | 11.4    | 5.3     | 8.5     | 5.2     | 5.3     | 48                  |
| 50                  | 11.1    | 11.1    | 5.2     | 8.3     | 5.1     | 5.1     | 50                  |
| 52                  | 10.7    | 10.7    | 5.1     | 8.1     | 51.0m x | 5.0     | 52                  |
| 54                  | 10.5    | 10.5    | 5.0     | 7.9     | 5.0t    |         | 54                  |
| 56                  | 10.2    | 10.2    |         | 7.7     |         |         | 56                  |
| 58                  | 9.9     | 9.9     |         | 7.6     |         |         | 58                  |
| 60                  | 9.6     | 9.6     |         | 7.4     |         |         | 60                  |
| 62                  | 9.3     | 9.3     |         | 7.2     |         |         | 62                  |
| 64                  | 63.1m x | 63.9m x |         | 7.1     |         |         | 64                  |
| 66                  | 9.2t    | 9.0t    |         | 6.9     |         |         | 66                  |
| 68                  |         |         |         | 6.7     |         |         | 68                  |
| 70                  |         |         |         | 69.5m x |         |         | 70                  |
| 72                  |         |         |         | 6.6t    |         |         | 72                  |
| No. of part line    | 2       | 1       | 1       | 1       | 1       | 1       | No. of part line    |

| Unit: ton           |         |         |         |         |         |         |                     |
|---------------------|---------|---------|---------|---------|---------|---------|---------------------|
| Boom Length (m)     | 48      |         |         |         |         |         | Boom Length (m)     |
| Jib Length (m)      | 13      |         |         | 19      |         | 30      | Jib Length (m)      |
| Offset Angle (deg.) | 10      |         | 30      | 10      | 30      |         | Offset Angle (deg.) |
| Working Radius (m)  |         |         |         |         |         |         | Working Radius (m)  |
| -                   | 12.8m x | 13.1m x |         |         |         |         | -                   |
| 12                  | 30.0t   | 15.0t   |         | 14.5m x | 14.8m x |         | 12                  |
| 14                  | 30.0    | 15.0    | 17.1m x | 24.8t   | 15.0t   |         | 14                  |
| 16                  | 30.0    | 15.0    | 13.8t   | 24.3    | 15.0    |         | 16                  |
| 18                  | 30.0    | 15.0    | 13.6    | 23.7    | 15.0    | 20.7m x | 18                  |
| 20                  | 30.0    | 15.0    | 13.0    | 23.1    | 15.0    | 10.3t   | 20                  |
| 22                  | 30.0    | 15.0    | 12.5    | 22.5    | 15.0    | 10.1    | 22                  |
| 24                  | 28.7    | 15.0    | 12.1    | 21.9    | 15.0    | 9.7     | 24                  |
| 26                  | 27.0    | 15.0    | 11.7    | 21.4    | 15.0    | 9.3     | 26                  |
| 28                  | 25.5    | 15.0    | 11.3    | 21.0    | 15.0    | 9.0     | 28                  |
| 30                  | 24.2    | 15.0    | 11.0    | 20.5    | 15.0    | 8.7     | 30                  |
| 32                  | 23.0    | 15.0    | 10.7    | 19.9    | 15.0    | 8.4     | 32                  |
| 34                  | 21.9    | 15.0    | 10.4    | 19.0    | 15.0    | 8.2     | 34                  |
| 36                  | 21.0    | 15.0    | 10.1    | 18.1    | 15.0    | 7.9     | 36                  |
| 38                  | 20.1    | 15.0    | 9.9     | 17.3    | 15.0    | 7.7     | 38                  |
| 40                  | 19.2    | 15.0    | 9.7     | 16.6    | 15.0    | 7.5     | 40                  |
| 42                  | 18.5    | 15.0    | 9.4     | 15.9    | 15.0    | 7.3     | 42                  |
| 44                  | 17.8    | 15.0    | 9.3     | 15.3    | 15.0    | 7.1     | 44                  |
| 46                  | 17.2    | 15.0    | 9.1     | 14.7    | 14.7    | 7.0     | 46                  |
| 48                  | 16.6    | 15.0    | 9.0     | 14.2    | 14.2    | 6.8     | 48                  |
| 50                  | 16.1    | 15.0    | 8.8     | 13.7    | 13.7    | 6.7     | 50                  |
| 52                  | 15.6    | 15.0    | 8.7     | 13.2    | 13.2    | 6.6     | 52                  |
| 54                  | 15.1    | 15.0    | 8.7     | 12.8    | 12.8    | 6.5     | 54                  |
| 56                  | 14.7    | 14.7    | 8.6     | 12.4    | 12.4    | 6.4     | 56                  |
| 58                  | 57.0m x | 57.8m x | 8.6     | 12.1    | 12.1    | 6.3     | 58                  |
| 60                  | 14.3t   | 14.0t   | 58.5m x | 11.8    | 11.8    | 6.3     | 60                  |
| 62                  |         |         | 8.6t    | 11.5    | 11.5    | 6.2     | 62                  |
| 64                  |         |         |         | 62.7m x | 63.4m x | 6.2     | 64                  |
| 66                  |         |         |         | 11.4t   | 11.3t   | 64.5m x | 66                  |
| 68                  |         |         |         |         |         | 6.1t    | 68                  |
| No. of part line    | 2       | 1       | 1       | 2       | 1       | 1       | No. of part line    |

\* For notes about the table above, refer to page 25.

■Crane Jib (Rear end Radius: Standard)



| Unit: ton           |         |         |         |         |         |         |                     |
|---------------------|---------|---------|---------|---------|---------|---------|---------------------|
| Boom Length (m)     | 48      |         |         |         |         |         | Boom Length (m)     |
| Jib Length (m)      | 25      |         |         | 31      |         | 37      | Jib Length (m)      |
| Offset Angle (deg.) | 10      |         | 30      | 10      | 30      | 10      | Offset Angle (deg.) |
| Working Radius (m)  | 10      |         | 30      | 10      | 30      | 10      | Working Radius (m)  |
| 14                  | 16.2m x | 16.5m x |         |         |         |         | 14                  |
| 16                  | 18.9t   | 15.0t   |         | 18.2m x |         | 19.9m x | 16                  |
| 18                  | 18.5    | 15.0    |         | 13.9t   |         | 8.9t    | 18                  |
| 20                  | 17.9    | 15.0    |         | 13.6    |         | 8.9     | 20                  |
| 22                  | 17.4    | 15.0    | 24.2m x | 13.2    |         | 8.7     | 22                  |
| 24                  | 16.9    | 15.0    | 8.0t    | 12.8    | 27.8m x | 8.5     | 24                  |
| 26                  | 16.4    | 15.0    | 7.8     | 12.3    | 7.4t    | 8.2     | 26                  |
| 28                  | 15.9    | 15.0    | 7.5     | 11.9    | 7.4     | 7.8     | 28                  |
| 30                  | 15.4    | 15.0    | 7.2     | 11.5    | 7.1     | 7.5     | 30                  |
| 32                  | 14.9    | 14.9    | 6.9     | 11.1    | 6.9     | 7.2     | 32                  |
| 34                  | 14.5    | 14.5    | 6.7     | 10.8    | 6.6     | 7.0     | 34                  |
| 36                  | 14.1    | 14.1    | 6.5     | 10.4    | 6.4     | 6.7     | 36                  |
| 38                  | 13.6    | 13.6    | 6.3     | 10.1    | 6.2     | 6.5     | 38                  |
| 40                  | 13.2    | 13.2    | 6.1     | 9.9     | 6.0     | 6.3     | 40                  |
| 42                  | 12.9    | 12.9    | 5.9     | 9.6     | 5.8     | 6.0     | 42                  |
| 44                  | 12.5    | 12.5    | 5.7     | 9.3     | 5.7     | 5.9     | 44                  |
| 46                  | 12.2    | 12.2    | 5.6     | 9.1     | 5.5     | 5.7     | 46                  |
| 48                  | 11.9    | 11.9    | 5.5     | 8.9     | 5.4     | 5.5     | 48                  |
| 50                  | 11.5    | 11.5    | 5.3     | 8.6     | 5.2     | 5.3     | 50                  |
| 52                  | 11.2    | 11.2    | 5.2     | 8.4     | 5.1     | 5.2     | 52                  |
| 54                  | 11.0    | 11.0    | 5.1     | 8.2     | 5.0     | 5.0     | 54                  |
| 56                  | 10.8    | 10.8    | 5.0     | 8.1     |         |         | 56                  |
| 58                  | 10.5    | 10.5    |         | 7.9     |         |         | 58                  |
| 60                  | 10.2    | 10.2    |         | 7.7     |         |         | 60                  |
| 62                  | 9.9     | 9.9     |         | 7.6     |         |         | 62                  |
| 64                  | 9.6     | 9.6     |         | 7.4     |         |         | 64                  |
| 66                  | 9.4     | 9.4     |         | 7.2     |         |         | 66                  |
| 68                  | 9.2     | 9.2     |         | 7.0     |         |         | 68                  |
| 70                  | 68.3m x | 69.1m x |         | 6.9     |         |         | 70                  |
| 72                  | 9.1t    | 9.0t    |         | 6.8     |         |         | 72                  |
| 74                  |         |         |         | 6.7     |         |         | 74                  |
| 76                  |         |         |         | 74.7m x |         |         | 76                  |
| 78                  |         |         |         | 6.6t    |         |         | 78                  |
| No. of part line    | 2       | 1       | 1       | 1       | 1       | 1       | No. of part line    |

| Unit: ton           |         |         |         |         |         |         |                     |
|---------------------|---------|---------|---------|---------|---------|---------|---------------------|
| Boom Length (m)     | 54      |         |         |         |         |         | Boom Length (m)     |
| Jib Length (m)      | 13      |         |         | 19      |         | 30      | Jib Length (m)      |
| Offset Angle (deg.) | 10      |         | 30      | 10      | 30      | 30      | Offset Angle (deg.) |
| Working Radius (m)  | 10      |         | 30      | 10      | 30      | 30      | Working Radius (m)  |
| -                   | 13.4m x | 13.8m x |         |         |         |         | -                   |
| 12                  | 30.0t   | 15.0t   |         | 15.1m x | 15.5m x |         | 12                  |
| 14                  | 30.0    | 15.0    | 17.8m x | 25.0t   | 15.0t   |         | 14                  |
| 16                  | 30.0    | 15.0    | 13.7t   | 24.7    | 15.0    |         | 16                  |
| 18                  | 30.0    | 15.0    | 13.7    | 24.1    | 15.0    | 21.4m x | 18                  |
| 20                  | 30.0    | 15.0    | 13.2    | 23.5    | 15.0    | 10.3t   | 20                  |
| 22                  | 30.0    | 15.0    | 12.7    | 23.0    | 15.0    | 10.2    | 22                  |
| 24                  | 30.0    | 15.0    | 12.3    | 22.4    | 15.0    | 9.8     | 24                  |
| 26                  | 28.4    | 15.0    | 11.9    | 21.9    | 15.0    | 9.5     | 26                  |
| 28                  | 26.9    | 15.0    | 11.6    | 21.4    | 15.0    | 9.1     | 28                  |
| 30                  | 25.5    | 15.0    | 11.3    | 21.0    | 15.0    | 8.9     | 30                  |
| 32                  | 24.3    | 15.0    | 10.9    | 20.5    | 15.0    | 8.6     | 32                  |
| 34                  | 23.2    | 15.0    | 10.7    | 20.0    | 15.0    | 8.3     | 34                  |
| 36                  | 22.2    | 15.0    | 10.4    | 19.1    | 15.0    | 8.1     | 36                  |
| 38                  | 21.3    | 15.0    | 10.1    | 18.3    | 15.0    | 7.9     | 38                  |
| 40                  | 20.5    | 15.0    | 9.9     | 17.5    | 15.0    | 7.7     | 40                  |
| 42                  | 19.7    | 15.0    | 9.7     | 16.8    | 15.0    | 7.5     | 42                  |
| 44                  | 19.0    | 15.0    | 9.5     | 16.2    | 15.0    | 7.3     | 44                  |
| 46                  | 18.3    | 15.0    | 9.3     | 15.6    | 15.0    | 7.2     | 46                  |
| 48                  | 17.7    | 15.0    | 9.2     | 15.0    | 15.0    | 7.0     | 48                  |
| 50                  | 17.1    | 15.0    | 9.0     | 14.5    | 14.5    | 6.9     | 50                  |
| 52                  | 16.4    | 15.0    | 8.9     | 14.1    | 14.1    | 6.7     | 52                  |
| 54                  | 15.1    | 15.0    | 8.8     | 13.6    | 13.6    | 6.6     | 54                  |
| 56                  | 14.0    | 14.0    | 8.7     | 13.2    | 13.2    | 6.5     | 56                  |
| 58                  | 12.9    | 12.9    | 8.6     | 12.8    | 12.8    | 6.4     | 58                  |
| 60                  | 11.9    | 11.9    | 8.6     | 12.5    | 12.5    | 6.4     | 60                  |
| 62                  | 11.0    | 11.0    | 8.6     | 11.9    | 11.9    | 6.3     | 62                  |
| 64                  | 62.2m x | 63.0m x | 63.7m x | 11.0    | 11.0    | 6.2     | 64                  |
| 66                  | 10.9t   | 10.5t   | 8.6t    | 10.2    | 10.2    | 6.2     | 66                  |
| 68                  |         |         |         | 67.9m x | 9.4     | 6.2     | 68                  |
| 70                  |         |         |         | 9.5t    | 68.6m x | 69.7m x | 70                  |
| 72                  |         |         |         |         | 9.2t    | 6.2t    | 72                  |
| No. of part line    | 2       | 1       | 1       | 2       | 1       | 1       | No. of part line    |

\* For notes about the table above, refer to page 25.

■Crane Jib (Rear end Radius: Standard)



Unit: ton

| Boom Length (m)     | 54      |         |         |         |         |         | Boom Length (m)     |
|---------------------|---------|---------|---------|---------|---------|---------|---------------------|
| Jib Length (m)      | 25      |         |         | 31      |         |         | Jib Length (m)      |
| Offset Angle (deg.) | 10      |         | 30      | 10      | 30      | 37      | Offset Angle (deg.) |
| Working Radius (m)  | 10      |         | 30      | 10      | 30      | 10      | Working Radius (m)  |
| 14                  | 16.8m x | 17.2m x |         |         |         |         | 14                  |
| 16                  | 19.1t   | 15.0t   |         | 18.9m x |         |         | 16                  |
| 18                  | 18.8    | 15.0    |         | 13.9t   |         | 20.6m x | 18                  |
| 20                  | 18.3    | 15.0    |         | 13.7    |         | 8.9t    | 20                  |
| 22                  | 17.7    | 15.0    | 24.9m x | 13.3    |         | 8.7     | 22                  |
| 24                  | 17.3    | 15.0    | 8.0t    | 13.0    |         | 8.6     | 24                  |
| 26                  | 16.7    | 15.0    | 7.8     | 12.6    | 28.5m x | 8.3     | 26                  |
| 28                  | 16.2    | 15.0    | 7.5     | 12.2    | 7.4t    | 8.0     | 28                  |
| 30                  | 15.8    | 15.0    | 7.3     | 11.8    | 7.2     | 7.7     | 30                  |
| 32                  | 15.3    | 15.0    | 7.0     | 11.4    | 6.9     | 7.4     | 32                  |
| 34                  | 14.9    | 14.9    | 6.8     | 11.1    | 6.7     | 7.1     | 34                  |
| 36                  | 14.4    | 14.4    | 6.6     | 10.7    | 6.5     | 6.9     | 36                  |
| 38                  | 14.1    | 14.1    | 6.4     | 10.4    | 6.3     | 6.7     | 38                  |
| 40                  | 13.7    | 13.7    | 6.2     | 10.1    | 6.1     | 6.5     | 40                  |
| 42                  | 13.3    | 13.3    | 6.0     | 9.9     | 6.0     | 6.2     | 42                  |
| 44                  | 13.0    | 13.0    | 5.9     | 9.6     | 5.8     | 6.1     | 44                  |
| 46                  | 12.6    | 12.6    | 5.7     | 9.4     | 5.6     | 5.9     | 46                  |
| 48                  | 12.3    | 12.3    | 5.6     | 9.2     | 5.5     | 5.7     | 48                  |
| 50                  | 12.0    | 12.0    | 5.5     | 8.9     | 5.4     | 5.5     | 50                  |
| 52                  | 11.8    | 11.8    | 5.3     | 8.7     | 5.2     | 5.4     | 52                  |
| 54                  | 11.5    | 11.5    | 5.2     | 8.5     | 5.1     | 5.2     | 54                  |
| 56                  | 11.2    | 11.2    | 5.1     | 8.4     | 5.0     | 5.1     | 56                  |
| 58                  | 10.9    | 10.9    | 5.0     | 8.2     |         | 5.0     | 58                  |
| 60                  | 10.7    | 10.7    |         | 8.0     |         |         | 60                  |
| 62                  | 10.5    | 10.5    |         | 7.9     |         |         | 62                  |
| 64                  | 10.2    | 10.2    |         | 7.7     |         |         | 64                  |
| 66                  | 9.9     | 9.9     |         | 7.6     |         |         | 66                  |
| 68                  | 9.7     | 9.7     |         | 7.4     |         |         | 68                  |
| 70                  | 9.5     | 9.5     |         | 7.2     |         |         | 70                  |
| 72                  | 8.8     | 8.8     |         | 7.1     |         |         | 72                  |
| 74                  | 73.5m x | 8.1     |         | 7.0     |         |         | 74                  |
| 76                  | 8.3t    | 74.3m x |         | 6.8     |         |         | 76                  |
| 78                  |         | 8.0t    |         | 6.7     |         |         | 78                  |
| 80                  |         |         |         | 79.9m x |         |         | 80                  |
| 82                  |         |         |         | 6.7t    |         |         | 82                  |
| No. of part line    | 2       | 1       | 1       | 1       | 1       | 1       | No. of part line    |

| Boom Length (m)     | 60      |         |         |         |         |         | Boom Length (m)     |
|---------------------|---------|---------|---------|---------|---------|---------|---------------------|
| Jib Length (m)      | 13      |         |         | 19      |         |         | Jib Length (m)      |
| Offset Angle (deg.) | 10      |         | 30      | 10      | 30      | 30      | Offset Angle (deg.) |
| Working Radius (m)  | 10      |         | 30      | 10      | 30      | 10      | Working Radius (m)  |
| 12                  | 14.1m x | 14.5m x |         | 15.8m x |         |         | 12                  |
| 14                  | 30.0t   | 15.0t   |         | 24.9t   | 16.2m x |         | 14                  |
| 16                  | 30.0    | 15.0    | 18.5m x | 24.8    | 15.0t   |         | 16                  |
| 18                  | 30.0    | 15.0    | 13.7t   | 24.3    | 15.0    |         | 18                  |
| 20                  | 30.0    | 15.0    | 13.3    | 23.7    | 15.0    |         | 20                  |
| 22                  | 30.0    | 15.0    | 12.9    | 23.1    | 15.0    | 10.2    | 22                  |
| 24                  | 30.0    | 15.0    | 12.5    | 22.6    | 15.0    | 9.9     | 24                  |
| 26                  | 29.6    | 15.0    | 12.1    | 22.1    | 15.0    | 9.6     | 26                  |
| 28                  | 28.1    | 15.0    | 11.8    | 21.7    | 15.0    | 9.3     | 28                  |
| 30                  | 26.8    | 15.0    | 11.5    | 21.2    | 15.0    | 9.0     | 30                  |
| 32                  | 25.6    | 15.0    | 11.2    | 20.8    | 15.0    | 8.7     | 32                  |
| 34                  | 24.4    | 15.0    | 10.9    | 20.4    | 15.0    | 8.5     | 34                  |
| 36                  | 23.4    | 15.0    | 10.6    | 20.0    | 15.0    | 8.3     | 36                  |
| 38                  | 22.5    | 15.0    | 10.4    | 19.2    | 15.0    | 8.0     | 38                  |
| 40                  | 21.6    | 15.0    | 10.2    | 18.4    | 15.0    | 7.9     | 40                  |
| 42                  | 20.8    | 15.0    | 10.0    | 17.7    | 15.0    | 7.7     | 42                  |
| 44                  | 20.1    | 15.0    | 9.8     | 17.0    | 15.0    | 7.5     | 44                  |
| 46                  | 19.4    | 15.0    | 9.6     | 16.4    | 15.0    | 7.3     | 46                  |
| 48                  | 18.3    | 15.0    | 9.4     | 15.9    | 15.0    | 7.2     | 48                  |
| 50                  | 16.8    | 15.0    | 9.3     | 15.3    | 15.0    | 7.0     | 50                  |
| 52                  | 15.5    | 15.0    | 9.1     | 14.9    | 14.9    | 6.9     | 52                  |
| 54                  | 14.2    | 14.2    | 9.0     | 14.4    | 14.4    | 6.8     | 54                  |
| 56                  | 13.0    | 13.0    | 8.9     | 14.0    | 14.0    | 6.7     | 56                  |
| 58                  | 12.0    | 12.0    | 8.8     | 12.9    | 12.9    | 6.6     | 58                  |
| 60                  | 11.0    | 11.0    | 8.7     | 11.9    | 11.9    | 6.5     | 60                  |
| 62                  | 10.0    | 10.0    | 8.6     | 11.0    | 11.0    | 6.4     | 62                  |
| 64                  | 9.2     | 9.2     | 8.6     | 10.1    | 10.1    | 6.3     | 64                  |
| 66                  | 8.4     | 8.4     | 8.6     | 9.3     | 9.3     | 6.3     | 66                  |
| 68                  | 67.4m x | 7.6     | 7.8     | 8.5     | 8.5     | 6.2     | 68                  |
| 70                  | 7.9t    | 68.2m x | 68.9m x | 7.8     | 7.8     | 6.2     | 70                  |
| 72                  |         | 7.6t    | 7.4t    | 7.1     | 7.1     | 6.2     | 72                  |
| 74                  |         |         |         | 73.1m x | 73.8m x | 6.2     | 74                  |
| 76                  |         |         |         | 6.8t    | 6.5t    | 74.9m x | 76                  |
| 78                  |         |         |         |         |         | 6.2t    | 78                  |
| No. of part line    | 2       | 1       | 1       | 2       | 1       | 1       | No. of part line    |

\* For notes about the table above, refer to page 25.



■Crane Jib (Rear end Radius: Standard)



Unit: ton

| Boom Length (m)     | 60      |         |         |         |         |         | Boom Length (m)     |
|---------------------|---------|---------|---------|---------|---------|---------|---------------------|
| Jib Length (m)      | 25      |         | 31      |         | 37      |         | Jib Length (m)      |
| Offset Angle (deg.) | 10      |         | 30      | 10      | 30      | 10      | Offset Angle (deg.) |
| Working Radius (m)  |         |         |         |         |         |         | Working Radius (m)  |
| 14                  | 17.5m x | 17.9m x |         |         |         |         | 14                  |
| 16                  | 18.9t   | 15.0t   |         | 19.6m x |         |         | 16                  |
| 18                  | 18.9    | 15.0    |         | 13.9t   |         | 21.3m x | 18                  |
| 20                  | 18.4    | 15.0    |         | 13.8    |         | 8.8t    | 20                  |
| 22                  | 17.9    | 15.0    | 25.6m x | 13.5    |         | 8.8     | 22                  |
| 24                  | 17.4    | 15.0    | 7.9t    | 13.2    |         | 8.6     | 24                  |
| 26                  | 17.0    | 15.0    | 7.9     | 12.8    | 29.2m x | 8.5     | 26                  |
| 28                  | 16.5    | 15.0    | 7.6     | 12.4    | 7.3t    | 8.1     | 28                  |
| 30                  | 16.0    | 15.0    | 7.4     | 12.0    | 7.2     | 7.9     | 30                  |
| 32                  | 15.6    | 15.0    | 7.1     | 11.7    | 7.0     | 7.6     | 32                  |
| 34                  | 15.2    | 15.0    | 6.9     | 11.3    | 6.8     | 7.3     | 34                  |
| 36                  | 14.8    | 14.8    | 6.7     | 11.0    | 6.6     | 7.1     | 36                  |
| 38                  | 14.4    | 14.4    | 6.5     | 10.7    | 6.4     | 6.8     | 38                  |
| 40                  | 14.1    | 14.1    | 6.3     | 10.4    | 6.2     | 6.6     | 40                  |
| 42                  | 13.7    | 13.7    | 6.2     | 10.1    | 6.1     | 6.4     | 42                  |
| 44                  | 13.4    | 13.4    | 6.0     | 9.9     | 5.9     | 6.2     | 44                  |
| 46                  | 13.1    | 13.1    | 5.9     | 9.7     | 5.8     | 6.1     | 46                  |
| 48                  | 12.7    | 12.7    | 5.7     | 9.4     | 5.6     | 5.9     | 48                  |
| 50                  | 12.4    | 12.4    | 5.6     | 9.2     | 5.5     | 5.7     | 50                  |
| 52                  | 12.2    | 12.2    | 5.5     | 9.0     | 5.4     | 5.6     | 52                  |
| 54                  | 11.9    | 11.9    | 5.3     | 8.8     | 5.2     | 5.4     | 54                  |
| 56                  | 11.6    | 11.6    | 5.2     | 8.6     | 5.1     | 5.3     | 56                  |
| 58                  | 11.3    | 11.3    | 5.1     | 8.5     | 5.0     | 5.1     | 58                  |
| 60                  | 11.1    | 11.1    | 5.1     | 8.3     |         | 5.0     | 60                  |
| 62                  | 10.9    | 10.9    | 5.0     | 8.1     |         |         | 62                  |
| 64                  | 10.7    | 10.7    |         | 8.0     |         |         | 64                  |
| 66                  | 10.0    | 10.0    |         | 7.8     |         |         | 66                  |
| 68                  | 9.3     | 9.3     |         | 7.7     |         |         | 68                  |
| 70                  | 8.5     | 8.5     |         | 7.5     |         |         | 70                  |
| 72                  | 7.9     | 7.9     |         | 7.4     |         |         | 72                  |
| 74                  | 7.2     | 7.2     |         | 7.3     |         |         | 74                  |
| 76                  | 6.6     | 6.6     |         | 7.1     |         |         | 76                  |
| 78                  | 6.1     | 6.1     |         | 7.0     |         |         | 78                  |
| 80                  | 78.7m x | 79.5m x |         | 6.4     |         |         | 80                  |
| 82                  | 5.9t    | 5.6t    |         | 5.9     |         |         | 82                  |
| 84                  |         |         |         | 5.4     |         |         | 84                  |
| 86                  |         |         |         | 85.1m x |         |         | 86                  |
| 88                  |         |         |         | 5.1t    |         |         | 88                  |
| No. of part line    | 2       | 1       | 1       | 1       | 1       | 1       | No. of part line    |

\* For notes about the table above, refer to page 25.

■Crane Jib (Rear end Radius: Standard)



Unit: ton

| Boom Length (m)     | 66      |         |         |         |         |         | Boom Length (m)     |
|---------------------|---------|---------|---------|---------|---------|---------|---------------------|
| Jib Length (m)      | 13      |         |         | 19      |         |         | Jib Length (m)      |
| Offset Angle (deg.) | 10      |         | 30      | 10      |         | 30      | Offset Angle (deg.) |
| Working Radius (m)  | 10      |         | 30      | 10      |         | 30      | Working Radius (m)  |
| 12                  | 14.8m x | 15.1m x |         |         |         |         | 12                  |
| 14                  | 30.0t   | 15.0t   |         | 16.5m x | 16.9m x |         | 14                  |
| 16                  | 30.0    | 15.0    | 19.1m x | 24.7t   | 15.0t   |         | 16                  |
| 18                  | 30.0    | 15.0    | 13.6t   | 24.4    | 15.0    |         | 18                  |
| 20                  | 30.0    | 15.0    | 13.5    | 23.9    | 15.0    | 22.7m x | 20                  |
| 22                  | 30.0    | 15.0    | 13.1    | 23.4    | 15.0    | 10.2t   | 22                  |
| 24                  | 30.0    | 15.0    | 12.7    | 23.0    | 15.0    | 10.0    | 24                  |
| 26                  | 30.0    | 15.0    | 12.3    | 22.5    | 15.0    | 9.7     | 26                  |
| 28                  | 29.3    | 15.0    | 12.0    | 22.1    | 15.0    | 9.4     | 28                  |
| 30                  | 27.9    | 15.0    | 11.7    | 21.7    | 15.0    | 9.1     | 30                  |
| 32                  | 26.7    | 15.0    | 11.4    | 21.3    | 15.0    | 8.9     | 32                  |
| 34                  | 25.6    | 15.0    | 11.1    | 20.9    | 15.0    | 8.6     | 34                  |
| 36                  | 24.5    | 15.0    | 10.8    | 20.5    | 15.0    | 8.4     | 36                  |
| 38                  | 23.6    | 15.0    | 10.6    | 20.0    | 15.0    | 8.2     | 38                  |
| 40                  | 22.7    | 15.0    | 10.4    | 19.2    | 15.0    | 8.0     | 40                  |
| 42                  | 21.9    | 15.0    | 10.2    | 18.5    | 15.0    | 7.8     | 42                  |
| 44                  | 21.0    | 15.0    | 10.0    | 17.9    | 15.0    | 7.6     | 44                  |
| 46                  | 19.2    | 15.0    | 9.8     | 17.2    | 15.0    | 7.5     | 46                  |
| 48                  | 17.6    | 15.0    | 9.6     | 16.7    | 15.0    | 7.3     | 48                  |
| 50                  | 16.1    | 15.0    | 9.5     | 16.1    | 15.0    | 7.2     | 50                  |
| 52                  | 14.7    | 14.7    | 9.3     | 15.6    | 15.0    | 7.1     | 52                  |
| 54                  | 13.4    | 13.4    | 9.2     | 14.4    | 14.4    | 6.9     | 54                  |
| 56                  | 12.3    | 12.3    | 9.1     | 13.2    | 13.2    | 6.8     | 56                  |
| 58                  | 11.2    | 11.2    | 8.9     | 12.1    | 12.1    | 6.7     | 58                  |
| 60                  | 10.2    | 10.2    | 8.8     | 11.1    | 11.1    | 6.6     | 60                  |
| 62                  | 9.3     | 9.3     | 8.7     | 10.2    | 10.2    | 6.5     | 62                  |
| 64                  | 8.4     | 8.4     | 8.7     | 9.3     | 9.3     | 6.4     | 64                  |
| 66                  | 7.6     | 7.6     | 8.0     | 8.5     | 8.5     | 6.4     | 66                  |
| 68                  | 6.8     | 6.8     | 7.2     | 7.7     | 7.7     | 6.3     | 68                  |
| 70                  | 6.1     | 6.1     | 6.4     | 7.0     | 7.0     | 6.2     | 70                  |
| 72                  | 5.5     | 5.5     | 5.7     | 6.3     | 6.3     | 6.2     | 72                  |
| 74                  | 72.6m x | 73.4m x | 73.7m x | 5.7     | 5.7     | 6.1     | 74                  |
| 76                  | 5.3t    | 5.0t    | 5.0t    | 5.1     | 5.1     | 5.4     | 76                  |
| 78                  |         |         |         | 76.3m x | 76.3m x | 77.3m x | 78                  |
| 80                  |         |         |         | 5.0t    | 5.0t    | 5.0t    | 80                  |
| No. of part line    | 2       | 1       | 1       | 2       | 1       | 1       | No. of part line    |

\* For notes about the table above, refer to page 25.

■Crane Jib (Rear end Radius: Standard)



| Boom Length (m)     |         | 66      |         |    |         |         |         | Boom Length (m)  |    |
|---------------------|---------|---------|---------|----|---------|---------|---------|------------------|----|
| Jib Length (m)      |         | 25      |         | 31 |         | 37      |         | Jib Length (m)   |    |
| Offset Angle (deg.) |         | 10      |         | 30 |         | 10      |         | 30               |    |
| Working Radius (m)  |         | 10      |         | 30 |         | 10      |         | 30               |    |
| 16                  | 18.2m x | 18.6m x |         |    |         |         |         |                  | 16 |
| 18                  | 18.9t   | 15.0t   |         |    | 20.3m x |         |         |                  | 18 |
| 20                  | 18.5    | 15.0    |         |    | 13.8t   |         |         |                  | 20 |
| 22                  | 18.1    | 15.0    |         |    | 13.5    |         | 8.8     |                  | 22 |
| 24                  | 17.7    | 15.0    | 26.3m x |    | 13.2    |         | 8.7     |                  | 24 |
| 26                  | 17.3    | 15.0    | 7.9t    |    | 12.9    | 29.9m x | 8.5     |                  | 26 |
| 28                  | 16.8    | 15.0    | 7.7     |    | 12.6    | 7.3t    | 8.3     |                  | 28 |
| 30                  | 16.4    | 15.0    | 7.4     |    | 12.2    | 7.3     | 8.0     |                  | 30 |
| 32                  | 16.0    | 15.0    | 7.2     |    | 11.9    | 7.1     | 7.7     |                  | 32 |
| 34                  | 15.6    | 15.0    | 7.0     |    | 11.6    | 6.9     | 7.5     |                  | 34 |
| 36                  | 15.2    | 15.0    | 6.8     |    | 11.2    | 6.7     | 7.2     |                  | 36 |
| 38                  | 14.8    | 14.8    | 6.6     |    | 10.9    | 6.5     | 7.0     |                  | 38 |
| 40                  | 14.4    | 14.4    | 6.4     |    | 10.7    | 6.3     | 6.8     |                  | 40 |
| 42                  | 14.1    | 14.1    | 6.3     |    | 10.4    | 6.2     | 6.6     |                  | 42 |
| 44                  | 13.7    | 13.7    | 6.1     |    | 10.1    | 6.0     | 6.4     |                  | 44 |
| 46                  | 13.4    | 13.4    | 6.0     |    | 9.9     | 5.9     | 6.2     |                  | 46 |
| 48                  | 13.1    | 13.1    | 5.8     |    | 9.7     | 5.7     | 6.0     |                  | 48 |
| 50                  | 12.8    | 12.8    | 5.7     |    | 9.5     | 5.6     | 5.9     |                  | 50 |
| 52                  | 12.5    | 12.5    | 5.6     |    | 9.3     | 5.5     | 5.7     |                  | 52 |
| 54                  | 12.2    | 12.2    | 5.5     |    | 9.1     | 5.3     | 5.6     |                  | 54 |
| 56                  | 12.0    | 12.0    | 5.3     |    | 8.9     | 5.2     | 5.4     |                  | 56 |
| 58                  | 11.8    | 11.8    | 5.2     |    | 8.7     | 5.1     | 5.3     |                  | 58 |
| 60                  | 11.5    | 11.5    | 5.2     |    | 8.5     | 5.0     | 5.2     |                  | 60 |
| 62                  | 11.0    | 11.0    | 5.1     |    | 8.4     |         | 5.1     |                  | 62 |
| 64                  | 10.1    | 10.1    | 5.0     |    | 8.2     |         | 63.0m x |                  | 64 |
| 66                  | 9.2     | 9.2     |         |    | 8.1     |         | 5.0t    |                  | 66 |
| 68                  | 8.5     | 8.5     |         |    | 7.9     |         |         |                  | 68 |
| 70                  | 7.7     | 7.7     |         |    | 7.8     |         |         |                  | 70 |
| 72                  | 7.1     | 7.1     |         |    | 7.7     |         |         |                  | 72 |
| 74                  | 6.4     | 6.4     |         |    | 7.4     |         |         |                  | 74 |
| 76                  | 5.8     | 5.8     |         |    | 6.8     |         |         |                  | 76 |
| 78                  | 5.2     | 5.2     |         |    | 6.2     |         |         |                  | 78 |
| 80                  | 78.8m x | 78.8m x |         |    | 5.6     |         |         |                  | 80 |
| 82                  | 5.0t    | 5.0t    |         |    | 5.1     |         |         |                  | 82 |
| 84                  |         |         |         |    | 82.4m x |         |         |                  | 84 |
| 86                  |         |         |         |    | 5.0t    |         |         |                  | 86 |
| No. of part line    | 2       | 1       | 1       | 1  | 1       | 1       | 1       | No. of part line |    |

\* For notes about the table above, refer to page 25.

■Crane Jib (Rear end Radius: Standard)



| Boom Length (m)     |               | 72            |               |    |               |               |               | Unit: ton           |  |
|---------------------|---------------|---------------|---------------|----|---------------|---------------|---------------|---------------------|--|
| Jib Length (m)      |               | 13            |               |    | 19            |               |               | Boom Length (m)     |  |
| Offset Angle (deg.) |               | 10            |               | 30 | 10            |               | 30            | Jib Length (m)      |  |
| Working Radius (m)  |               | 10            |               | 30 | 10            |               | 30            | Offset Angle (deg.) |  |
| Working Radius (m)  |               | 10            |               | 30 | 10            |               | 30            | Working Radius (m)  |  |
| 12                  | 15.5m x 30.0t | 15.8m x 15.0t |               |    | 17.2m x 24.9t | 17.5m x 15.0t |               | 12                  |  |
| 14                  | 30.0          | 15.0          |               |    | 24.7          | 15.0          |               | 14                  |  |
| 16                  | 30.0          | 15.0          | 19.8m x 13.6t |    | 24.2          | 15.0          |               | 16                  |  |
| 18                  | 30.0          | 15.0          | 13.6          |    | 23.7          | 15.0          | 23.4m x 10.1t | 18                  |  |
| 20                  | 30.0          | 15.0          | 13.6          |    | 23.2          | 15.0          | 10.1          | 20                  |  |
| 22                  | 30.0          | 15.0          | 13.2          |    | 22.8          | 15.0          | 9.8           | 22                  |  |
| 24                  | 30.0          | 15.0          | 12.8          |    | 22.3          | 15.0          | 9.5           | 24                  |  |
| 26                  | 30.0          | 15.0          | 12.5          |    | 21.9          | 15.0          | 9.2           | 26                  |  |
| 28                  | 30.0          | 15.0          | 12.1          |    | 21.4          | 15.0          | 9.0           | 28                  |  |
| 30                  | 29.0          | 15.0          | 11.8          |    | 21.1          | 15.0          | 8.7           | 30                  |  |
| 32                  | 27.7          | 15.0          | 11.6          |    | 20.7          | 15.0          | 8.5           | 32                  |  |
| 34                  | 26.6          | 15.0          | 11.3          |    | 20.4          | 15.0          | 8.3           | 34                  |  |
| 36                  | 25.6          | 15.0          | 11.0          |    | 20.0          | 15.0          | 8.1           | 36                  |  |
| 38                  | 24.6          | 15.0          | 10.8          |    | 19.3          | 15.0          | 8.0           | 38                  |  |
| 40                  | 23.7          | 15.0          | 10.6          |    | 18.6          | 15.0          | 7.8           | 40                  |  |
| 42                  | 22.0          | 15.0          | 10.4          |    | 18.0          | 15.0          | 7.6           | 42                  |  |
| 44                  | 20.0          | 15.0          | 10.2          |    | 17.4          | 15.0          | 7.5           | 44                  |  |
| 46                  | 18.2          | 15.0          | 10.0          |    | 16.0          | 15.0          | 7.3           | 46                  |  |
| 48                  | 16.5          | 15.0          | 9.8           |    | 14.6          | 14.6          | 7.2           | 48                  |  |
| 50                  | 15.0          | 15.0          | 9.7           |    | 13.4          | 13.4          | 7.1           | 50                  |  |
| 52                  | 13.6          | 13.6          | 9.5           |    | 12.2          | 12.2          | 6.9           | 52                  |  |
| 54                  | 12.4          | 12.4          | 9.4           |    | 11.1          | 11.1          | 6.8           | 54                  |  |
| 56                  | 11.2          | 11.2          | 9.2           |    | 10.1          | 10.1          | 6.7           | 56                  |  |
| 58                  | 10.1          | 10.1          | 9.1           |    | 9.1           | 9.1           | 6.6           | 58                  |  |
| 60                  | 9.1           | 9.1           | 9.0           |    | 8.2           | 8.2           | 6.5           | 60                  |  |
| 62                  | 8.2           | 8.2           | 8.8           |    | 7.4           | 7.4           | 6.5           | 62                  |  |
| 64                  | 7.3           | 7.3           | 7.9           |    | 6.7           | 6.7           | 6.4           | 64                  |  |
| 66                  | 6.5           | 6.5           | 7.0           |    | 5.9           | 5.9           | 6.3           | 66                  |  |
| 68                  | 5.8           | 5.8           | 6.2           |    | 5.3           | 5.3           | 5.9           | 68                  |  |
| 70                  | 5.1           | 5.1           | 5.5           |    | 5.0t          | 5.0t          | 5.2           | 70                  |  |
| 72                  | 70.2m x 5.0t  | 70.2m x 5.0t  | 71.2m x 5.0t  |    | 72.8m x 5.0t  | 72.8m x 5.0t  | 74.5m x 5.0t  | 72                  |  |
| 74                  |               |               |               |    |               |               |               | 74                  |  |
| 76                  |               |               |               |    |               |               |               | 76                  |  |
| 78                  |               |               |               |    |               |               |               | 78                  |  |
| No. of part line    | 2             | 1             | 1             |    | 2             | 1             | 1             | No. of part line    |  |

| Boom Length (m)     |               | 72            |              |    |               |              |              | Unit: ton           |  |
|---------------------|---------------|---------------|--------------|----|---------------|--------------|--------------|---------------------|--|
| Jib Length (m)      |               | 25            |              |    | 31            |              |              | Boom Length (m)     |  |
| Offset Angle (deg.) |               | 10            |              | 30 | 10            |              | 30           | Jib Length (m)      |  |
| Working Radius (m)  |               | 10            |              | 30 | 10            |              | 30           | Offset Angle (deg.) |  |
| Working Radius (m)  |               | 10            |              | 30 | 10            |              | 30           | Working Radius (m)  |  |
| 16                  | 18.9m x 18.9t | 19.2m x 15.0t |              |    | 20.9m x 13.8t |              |              | 16                  |  |
| 18                  | 18.7          | 15.0          |              |    | 13.7          |              | 22.6m x 8.8t | 18                  |  |
| 20                  | 18.3          | 15.0          |              |    | 13.4          |              |              | 20                  |  |
| 22                  | 17.9          | 15.0          | 27.0m x 7.8t |    | 13.1          |              |              | 22                  |  |
| 24                  | 17.5          | 15.0          | 7.8t         |    | 12.8          | 30.5m x 7.3t |              | 24                  |  |
| 26                  | 17.0          | 15.0          | 7.7          |    | 12.4          |              |              | 26                  |  |
| 28                  | 16.6          | 15.0          | 7.5          |    | 12.1          | 7.1          |              | 28                  |  |
| 30                  | 16.2          | 15.0          | 7.3          |    | 11.8          | 6.9          |              | 30                  |  |
| 32                  | 15.8          | 15.0          | 7.1          |    | 11.5          | 6.7          |              | 32                  |  |
| 34                  | 15.5          | 15.0          | 6.9          |    | 11.2          | 6.6          |              | 34                  |  |
| 36                  | 15.1          | 15.0          | 6.7          |    | 10.9          | 6.4          |              | 36                  |  |
| 38                  | 14.7          | 14.7          | 6.5          |    | 10.6          | 6.2          |              | 38                  |  |
| 40                  | 14.4          | 14.4          | 6.4          |    | 10.4          | 6.1          |              | 40                  |  |
| 42                  | 14.1          | 14.1          | 6.2          |    | 10.1          | 6.0          |              | 42                  |  |
| 44                  | 13.7          | 13.7          | 6.1          |    | 9.9           | 5.8          |              | 44                  |  |
| 46                  | 13.5          | 13.5          | 5.9          |    | 9.7           | 5.7          |              | 46                  |  |
| 48                  | 13.2          | 13.2          | 5.8          |    | 9.5           | 5.6          |              | 48                  |  |
| 50                  | 12.9          | 12.9          | 5.7          |    | 9.3           | 5.4          |              | 50                  |  |
| 52                  | 12.6          | 12.6          | 5.6          |    | 9.1           | 5.3          |              | 52                  |  |
| 54                  | 12.3          | 12.3          | 5.4          |    | 8.9           | 5.2          |              | 54                  |  |
| 56                  | 11.9          | 11.9          | 5.3          |    | 8.8           | 5.1          |              | 56                  |  |
| 58                  | 10.9          | 10.9          | 5.3          |    | 8.6           | 5.0          |              | 58                  |  |
| 60                  | 9.9           | 9.9           | 5.2          |    | 8.5           |              | 5.1          | 60                  |  |
| 62                  | 9.0           | 9.0           | 5.1          |    | 8.3           |              | 5.0          | 62                  |  |
| 64                  | 8.2           | 8.2           | 5.0          |    | 8.2           |              |              | 64                  |  |
| 66                  | 7.4           | 7.4           |              |    | 7.8           |              |              | 66                  |  |
| 68                  | 6.7           | 6.7           |              |    | 7.1           |              |              | 68                  |  |
| 70                  | 6.0           | 6.0           |              |    | 6.4           |              |              | 70                  |  |
| 72                  | 5.4           | 5.4           |              |    | 5.8           |              |              | 72                  |  |
| 74                  | 75.3m x 5.0t  | 75.3m x 5.0t  |              |    | 5.2           |              |              | 74                  |  |
| 76                  |               |               |              |    | 78.6m x 5.0t  |              |              | 76                  |  |
| 78                  |               |               |              |    |               |              |              | 78                  |  |
| 80                  |               |               |              |    |               |              |              | 80                  |  |
| 82                  |               |               |              |    |               |              |              | 82                  |  |
| No. of part line    | 2             | 1             | 1            |    | 1             | 1            | 1            | No. of part line    |  |

\* For notes about the table above, refer to page 25.

■ Main Boom with Crane Jib (Rear end Radius: Standard)



Unit: ton

| Boom Length (m)     | 42      |         |         |         |         |         | Boom Length (m)     |
|---------------------|---------|---------|---------|---------|---------|---------|---------------------|
| Jib Length (m)      | 13      |         | 19      |         | 25      |         | Jib Length (m)      |
| Offset angle (deg.) | 10      | 30      | 10      | 30      | 10      | 30      | Offset angle (deg.) |
| Working Radius (m)  | 10      | 30      | 10      | 30      | 10      | 30      | Working Radius (m)  |
| 7.9                 | 170.0   | 170.0   | 170.0   | 170.0   | 170.0   | 170.0   | 7.9                 |
| 8                   | 170.0   | 170.0   | 170.0   | 170.0   | 170.0   | 170.0   | 8                   |
| 9                   | 170.0   | 170.0   | 170.0   | 169.4   | 170.0   | 167.3   | 9                   |
| 10                  | 154.4   | 153.1   | 153.3   | 151.3   | 152.1   | 149.3   | 10                  |
| 12                  | 126.5   | 125.4   | 125.4   | 123.7   | 124.2   | 122.0   | 12                  |
| 14                  | 106.2   | 105.3   | 105.1   | 103.8   | 104.0   | 102.1   | 14                  |
| 16                  | 90.9    | 90.1    | 89.8    | 88.7    | 88.7    | 87.1    | 16                  |
| 18                  | 78.8    | 78.2    | 77.8    | 76.8    | 76.7    | 75.4    | 18                  |
| 20                  | 69.2    | 68.6    | 68.1    | 67.3    | 67.1    | 65.9    | 20                  |
| 22                  | 61.2    | 60.8    | 60.2    | 59.5    | 59.1    | 58.2    | 22                  |
| 24                  | 54.6    | 54.0    | 53.5    | 52.7    | 52.1    | 50.9    | 24                  |
| 26                  | 48.5    | 47.6    | 47.0    | 46.3    | 45.6    | 44.7    | 26                  |
| 28                  | 43.0    | 42.2    | 41.5    | 40.9    | 40.2    | 39.4    | 28                  |
| 30                  | 38.2    | 37.5    | 36.8    | 36.3    | 35.5    | 34.8    | 30                  |
| 32                  | 34.1    | 33.5    | 32.7    | 32.3    | 31.4    | 30.8    | 32                  |
| 34                  | 30.5    | 30.0    | 29.1    | 28.8    | 27.8    | 27.4    | 34                  |
| 36                  | 27.3    | 26.8    | 25.9    | 25.7    | 24.6    | 24.3    | 36                  |
| 38                  | 24.4    | 24.1    | 23.1    | 23.0    | 21.8    | 21.7    | 38                  |
| 40                  | 38.6m x | 38.6m x | 38.6m x | 38.6m x | 38.6m x | 38.6m x | 40                  |
| 42                  | 23.6t   | 23.3t   | 22.3t   | 22.2t   | 21.1t   | 20.9t   | 42                  |

| Boom Length (m)     | 42      |         |         | Boom Length (m)     |
|---------------------|---------|---------|---------|---------------------|
| Jib Length (m)      | 31      |         | 37      | Jib Length (m)      |
| Offset angle (deg.) | 10      | 30      | 10      | Offset angle (deg.) |
| Working Radius (m)  | 10      | 30      | 10      | Working Radius (m)  |
| -                   | 7.9m x  | 7.9m x  | 7.9m x  | -                   |
| 7                   | 170.0t  | 170.0t  | 170.0t  | 7                   |
| 8                   | 170.0   | 170.0   | 170.0   | 8                   |
| 9                   | 169.1   | 165.1   | 167.8   | 9                   |
| 10                  | 150.8   | 147.2   | 149.5   | 10                  |
| 12                  | 123.0   | 120.0   | 121.7   | 12                  |
| 14                  | 102.8   | 100.4   | 101.5   | 14                  |
| 16                  | 87.5    | 85.5    | 86.3    | 16                  |
| 18                  | 75.5    | 73.8    | 74.3    | 18                  |
| 20                  | 65.9    | 64.4    | 64.7    | 20                  |
| 22                  | 58.0    | 56.5    | 56.7    | 22                  |
| 24                  | 50.6    | 49.1    | 49.0    | 24                  |
| 26                  | 44.2    | 42.9    | 42.6    | 26                  |
| 28                  | 38.7    | 37.7    | 37.2    | 28                  |
| 30                  | 34.0    | 33.2    | 32.6    | 30                  |
| 32                  | 30.0    | 29.3    | 28.5    | 32                  |
| 34                  | 26.4    | 25.9    | 25.0    | 34                  |
| 36                  | 23.3    | 22.9    | 21.9    | 36                  |
| 38                  | 20.5    | 20.3    | 19.1    | 38                  |
| 40                  | 38.6m x | 38.6m x | 38.6m x | 40                  |
| 42                  | 19.7t   | 19.6t   | 18.3t   | 42                  |

- The rated loads are determined according to EN13000 rating on the condition that the machine is stationed on firm, level ground.
- To calculate the maximum load that can actually be lifted, deduct mass of all lifting accessories, such as boom hook and jib hook, from figures shown above.
- The figures surrounded by bold lines are based on factors other than those which would cause a tipping condition.
- Working radius is the horizontal distance from the swing center to the center of gravity of a lifted load.
- The 145 ton counter weight and 25 ton lower weight are required for all capacities on these charts.
- Figures described as OOm x OOt in the tables indicate "working radius" m x "rated load" ton.
- Correlation between the number of reeved lines, maximum rated loads, hook mass are shown in the table below.

| Hook Capacity | Hook Mass (ton) | Maximum Rated Load (ton) |          |          |          |         |         |         |         |         |         |         |         |        |
|---------------|-----------------|--------------------------|----------|----------|----------|---------|---------|---------|---------|---------|---------|---------|---------|--------|
|               |                 | 13 falls                 | 12 falls | 11 falls | 10 falls | 9 falls | 8 falls | 7 falls | 6 falls | 5 falls | 4 falls | 3 falls | 2 falls | 1 fall |
| 180t          | 3.34            | 180                      | 170      | 157      | 144      | 131     | 118     | 104     | 90      | 76      | 61      | -       | -       | -      |
| 100t          | 3.11            | -                        | -        | -        | -        | -       | -       | 100     | 90      | 76      | 61      | 46      | 31      | -      |
| 45t           | 2.17            | -                        | -        | -        | -        | -       | -       | -       | -       | -       | -       | 45      | 31      | -      |
| 15t           | 0.62            | -                        | -        | -        | -        | -       | -       | -       | -       | -       | -       | -       | -       | 15     |

- The necessary mass to lower the boom hook refers "Lowerable Boom Hook Mass" on page 10.
- The necessary mass to lower the crane jib hook refers "Lowerable Crane Jib Hook Mass" on page 10.
- The rated total load when the operation being performed with the rear post support pendant attached is the value remaining when the value in chart below is deducted from the rated total load chart.

| Boom Length (m)       | 42  | 48  | 54  | 60  | 66  | 72  |
|-----------------------|-----|-----|-----|-----|-----|-----|
| Equivalent Mass (ton) | 0.8 | 0.9 | 1.2 | 1.4 | 1.6 | 1.7 |

■ Main Boom with Crane Jib (Rear end Radius: Standard)



Unit: ton

| Boom Length (m)     | 48      |         |         |         |         |         | Boom Length (m)     |
|---------------------|---------|---------|---------|---------|---------|---------|---------------------|
| Jib Length (m)      | 13      |         | 19      |         | 25      |         | Jib Length (m)      |
| Offset angle (deg.) |         |         |         |         |         |         | Offset angle (deg.) |
| Working Radius (m)  | 10      | 30      | 10      | 30      | 10      | 30      | Working Radius (m)  |
| 7                   | 8.6m x  | 8.6m x  | 8.6m x  | 8.6m x  | 8.6m x  | 8.6m x  | 7                   |
| 8                   | 157.0t  | 157.0t  | 157.0t  | 157.0t  | 157.0t  | 157.0t  | 8                   |
| 9                   | 157.0   | 157.0   | 157.0   | 157.0   | 157.0   | 157.0   | 9                   |
| 10                  | 153.8   | 152.4   | 152.7   | 150.6   | 151.5   | 148.7   | 10                  |
| 12                  | 125.8   | 124.7   | 124.7   | 123.1   | 123.6   | 121.3   | 12                  |
| 14                  | 105.5   | 104.6   | 104.5   | 103.1   | 103.4   | 101.5   | 14                  |
| 16                  | 90.2    | 89.4    | 89.2    | 88.0    | 88.1    | 86.5    | 16                  |
| 18                  | 78.2    | 77.5    | 77.2    | 76.2    | 76.1    | 74.7    | 18                  |
| 20                  | 68.5    | 67.9    | 67.5    | 66.6    | 66.5    | 65.3    | 20                  |
| 22                  | 60.5    | 60.1    | 59.6    | 58.8    | 58.6    | 57.5    | 22                  |
| 24                  | 53.9    | 53.3    | 52.6    | 51.7    | 51.3    | 50.0    | 24                  |
| 26                  | 47.4    | 46.9    | 46.1    | 45.3    | 44.8    | 43.7    | 26                  |
| 28                  | 41.9    | 41.5    | 40.7    | 40.0    | 39.4    | 38.4    | 28                  |
| 30                  | 37.2    | 36.8    | 36.0    | 35.4    | 34.7    | 33.9    | 30                  |
| 32                  | 33.1    | 32.8    | 31.9    | 31.4    | 30.6    | 29.9    | 32                  |
| 34                  | 29.5    | 29.2    | 28.3    | 27.9    | 27.1    | 26.5    | 34                  |
| 36                  | 26.3    | 26.1    | 25.2    | 24.8    | 23.9    | 23.5    | 36                  |
| 38                  | 23.5    | 23.3    | 22.4    | 22.1    | 21.1    | 20.8    | 38                  |
| 40                  | 21.0    | 20.9    | 19.8    | 19.6    | 18.6    | 18.4    | 40                  |
| 42                  | 18.7    | 18.7    | 17.6    | 17.5    | 16.4    | 16.2    | 42                  |
| 44                  | 43.8m x | 43.8m x | 43.8m x | 43.8m x | 43.8m x | 43.8m x | 44                  |
| 46                  | 16.9t   | 16.8t   | 15.8t   | 15.7t   | 14.6t   | 14.5t   | 46                  |

Unit: ton

| Boom Length (m)     | 48      |         |         | Boom Length (m)     |
|---------------------|---------|---------|---------|---------------------|
| Jib Length (m)      | 31      |         | 37      | Jib Length (m)      |
| Offset angle (deg.) |         |         | 10      | Offset angle (deg.) |
| Working Radius (m)  | 10      | 30      | 10      | Working Radius (m)  |
| 7                   | 8.6m x  | 8.6m x  | 8.6m x  | 7                   |
| 8                   | 157.0t  | 157.0t  | 157.0t  | 8                   |
| 9                   | 157.0   | 157.0   | 157.0   | 9                   |
| 10                  | 150.3   | 146.6   | 149.0   | 10                  |
| 12                  | 122.4   | 119.5   | 121.2   | 12                  |
| 14                  | 102.3   | 99.8    | 101.1   | 14                  |
| 16                  | 87.0    | 84.9    | 85.8    | 16                  |
| 18                  | 75.0    | 73.2    | 73.9    | 18                  |
| 20                  | 65.4    | 63.8    | 64.3    | 20                  |
| 22                  | 57.5    | 55.6    | 56.0    | 22                  |
| 24                  | 49.9    | 48.2    | 48.4    | 24                  |
| 26                  | 43.5    | 42.0    | 42.0    | 26                  |
| 28                  | 38.0    | 36.8    | 36.6    | 28                  |
| 30                  | 33.4    | 32.3    | 32.0    | 30                  |
| 32                  | 29.3    | 28.4    | 27.9    | 32                  |
| 34                  | 25.8    | 25.0    | 24.4    | 34                  |
| 36                  | 22.6    | 22.0    | 21.3    | 36                  |
| 38                  | 19.9    | 19.4    | 18.5    | 38                  |
| 40                  | 17.4    | 17.0    | 16.1    | 40                  |
| 42                  | 15.2    | 14.9    | 13.9    | 42                  |
| 44                  | 43.8m x | 43.8m x | 43.8m x | 44                  |
| 46                  | 13.4t   | 13.2t   | 12.1t   | 46                  |

\* For notes about the table above, refer to page 33.

■ Main Boom with Crane Jib (Rear end Radius: Standard)



Unit; ton

| Boom Length (m)     | 54      |         |         |         |         |         | Boom Length (m)     |
|---------------------|---------|---------|---------|---------|---------|---------|---------------------|
| Jib Length (m)      | 13      |         | 19      |         | 25      |         | Jib Length (m)      |
| Offset angle (deg.) | 10      | 30      | 10      | 30      | 10      | 30      | Offset angle (deg.) |
| Working Radius (m)  |         |         |         |         |         |         | Working Radius (m)  |
| 8                   | 9.3m x  | 9.3m x  | 9.3m x  | 9.3m x  | 9.3m x  | 9.3m x  | 8                   |
| 9                   | 131.0t  | 131.0t  | 131.0t  | 131.0t  | 131.0t  | 131.0t  | 9                   |
| 10                  | 131.0   | 131.0   | 131.0   | 131.0   | 131.0   | 131.0   | 10                  |
| 12                  | 125.3   | 124.2   | 124.3   | 122.6   | 123.2   | 120.9   | 12                  |
| 14                  | 105.1   | 104.1   | 104.1   | 102.6   | 103.0   | 101.0   | 14                  |
| 16                  | 89.7    | 88.9    | 88.7    | 87.5    | 87.7    | 86.0    | 16                  |
| 18                  | 77.7    | 77.0    | 76.7    | 75.7    | 75.7    | 74.3    | 18                  |
| 20                  | 68.0    | 67.4    | 67.1    | 66.1    | 66.1    | 64.8    | 20                  |
| 22                  | 60.0    | 59.5    | 59.1    | 58.3    | 58.2    | 56.7    | 22                  |
| 24                  | 53.1    | 52.4    | 51.8    | 50.9    | 50.6    | 49.2    | 24                  |
| 26                  | 46.6    | 46.1    | 45.4    | 44.5    | 44.1    | 43.0    | 26                  |
| 28                  | 41.1    | 40.6    | 39.9    | 39.2    | 38.7    | 37.6    | 28                  |
| 30                  | 36.4    | 36.0    | 35.2    | 34.6    | 34.0    | 33.1    | 30                  |
| 32                  | 32.3    | 31.9    | 31.1    | 30.6    | 29.9    | 29.1    | 32                  |
| 34                  | 28.7    | 28.4    | 27.6    | 27.1    | 26.4    | 25.7    | 34                  |
| 36                  | 25.6    | 25.3    | 24.4    | 24.0    | 23.2    | 22.6    | 36                  |
| 38                  | 22.7    | 22.5    | 21.6    | 21.2    | 20.5    | 19.9    | 38                  |
| 40                  | 20.2    | 20.0    | 19.1    | 18.8    | 18.0    | 17.5    | 40                  |
| 42                  | 17.9    | 17.8    | 16.8    | 16.6    | 15.7    | 15.4    | 42                  |
| 44                  | 15.9    | 15.8    | 14.8    | 14.6    | 13.7    | 13.4    | 44                  |
| 46                  | 14.0    | 13.9    | 13.0    | 12.8    | 11.8    | 11.6    | 46                  |
| 48                  | 12.3    | 12.3    | 11.3    | 11.2    | 10.2    | 10.1    | 48                  |
| 50                  | 49.0m x | 49.0m x | 49.0m x | 49.0m x | 49.0m x | 49.0m x | 50                  |
| 52                  | 11.6t   | 11.5t   | 10.5t   | 10.4t   | 9.4t    | 9.3t    | 52                  |

Unit; ton

| Boom Length (m)     | 54      |         |         | Boom Length (m)     |
|---------------------|---------|---------|---------|---------------------|
| Jib Length (m)      | 31      |         | 37      | Jib Length (m)      |
| Offset angle (deg.) | 10      | 30      | 10      | Offset angle (deg.) |
| Working Radius (m)  |         |         |         | Working Radius (m)  |
| 8                   | 9.3m x  | 9.3m x  | 9.3m x  | 8                   |
| 9                   | 131.0t  | 131.0t  | 131.0t  | 9                   |
| 10                  | 131.0   | 131.0   | 131.0   | 10                  |
| 12                  | 122.1   | 119.0   | 120.9   | 12                  |
| 14                  | 101.9   | 99.4    | 100.8   | 14                  |
| 16                  | 86.6    | 84.5    | 85.5    | 16                  |
| 18                  | 74.7    | 72.8    | 73.6    | 18                  |
| 20                  | 65.1    | 63.4    | 64.0    | 20                  |
| 22                  | 56.9    | 54.9    | 55.5    | 22                  |
| 24                  | 49.2    | 47.5    | 47.8    | 24                  |
| 26                  | 42.8    | 41.3    | 41.4    | 26                  |
| 28                  | 37.4    | 36.0    | 36.0    | 28                  |
| 30                  | 32.7    | 31.6    | 31.4    | 30                  |
| 32                  | 28.7    | 27.7    | 27.4    | 32                  |
| 34                  | 25.1    | 24.2    | 23.8    | 34                  |
| 36                  | 22.0    | 21.2    | 20.7    | 36                  |
| 38                  | 19.2    | 18.6    | 18.0    | 38                  |
| 40                  | 16.8    | 16.2    | 15.5    | 40                  |
| 42                  | 14.5    | 14.1    | 13.3    | 42                  |
| 44                  | 12.5    | 12.2    | 11.3    | 44                  |
| 46                  | 10.7    | 10.4    | 9.5     | 46                  |
| 48                  | 9.0     | 8.9     | 7.8     | 48                  |
| 50                  | 49.0m x | 49.0m x | 49.0m x | 50                  |
| 52                  | 8.3t    | 8.1t    | 7.1t    | 52                  |

\* For notes about the table above, refer to page 33.

■ Main Boom with Crane Jib (Rear end Radius: Standard)



Unit: ton

| Boom Length (m)     | 60      |         |         |         |         |        | Boom Length (m)     |
|---------------------|---------|---------|---------|---------|---------|--------|---------------------|
| Jib Length (m)      | 13      |         | 19      |         | 25      |        | Jib Length (m)      |
| Offset angle (deg.) | 10      | 30      | 10      | 30      | 10      | 30     | Offset angle (deg.) |
| Working Radius (m)  |         |         |         |         |         |        | Working Radius (m)  |
| 8                   | 9.9m x  | 9.9m x  | 9.9m x  | 9.9m x  | 9.9m x  | 9.9m x | 8                   |
| 9                   | 118.0t  | 118.0t  | 118.0t  | 118.0t  | 118.0t  | 118.0t | 9                   |
| 10                  | 118.0   | 118.0   | 118.0   | 118.0   | 118.0   | 118.0  | 10                  |
| 12                  | 117.7   | 117.5   | 117.2   | 116.8   | 116.6   | 116.1  | 12                  |
| 14                  | 104.4   | 103.4   | 103.4   | 102.0   | 102.4   | 100.4  | 14                  |
| 16                  | 89.0    | 88.2    | 88.1    | 86.8    | 87.1    | 85.4   | 16                  |
| 18                  | 77.0    | 76.3    | 76.1    | 75.0    | 75.1    | 73.6   | 18                  |
| 20                  | 67.3    | 66.7    | 66.4    | 65.5    | 65.5    | 64.1   | 20                  |
| 22                  | 59.3    | 58.8    | 58.5    | 57.4    | 57.3    | 55.7   | 22                  |
| 24                  | 52.1    | 51.4    | 50.9    | 49.8    | 49.6    | 48.2   | 24                  |
| 26                  | 45.6    | 45.0    | 44.4    | 43.5    | 43.2    | 42.0   | 26                  |
| 28                  | 40.1    | 39.6    | 38.9    | 38.1    | 37.8    | 36.7   | 28                  |
| 30                  | 35.4    | 34.9    | 34.3    | 33.5    | 33.1    | 32.1   | 30                  |
| 32                  | 31.3    | 30.9    | 30.2    | 29.5    | 29.0    | 28.2   | 32                  |
| 34                  | 27.7    | 27.4    | 26.6    | 26.1    | 25.5    | 24.7   | 34                  |
| 36                  | 24.6    | 24.2    | 23.5    | 23.0    | 22.3    | 21.7   | 36                  |
| 38                  | 21.8    | 21.5    | 20.7    | 20.2    | 19.6    | 19.0   | 38                  |
| 40                  | 19.2    | 19.0    | 18.2    | 17.8    | 17.1    | 16.5   | 40                  |
| 42                  | 17.0    | 16.8    | 15.9    | 15.6    | 14.8    | 14.4   | 42                  |
| 44                  | 14.9    | 14.7    | 13.9    | 13.6    | 12.8    | 12.4   | 44                  |
| 46                  | 13.1    | 12.9    | 12.0    | 11.8    | 11.0    | 10.6   | 46                  |
| 48                  | 11.4    | 11.2    | 10.3    | 10.1    | 9.3     | 9.0    | 48                  |
| 50                  | 9.8     | 9.7     | 8.8     | 8.6     | 7.7     | 7.5    | 50                  |
| 52                  | 8.4     | 8.3     | 7.4     | 7.3     | 6.4     | 6.2    | 52                  |
| 54                  | 7.1     | 7.1     | 6.1     | 6.0     | 5.1     | 5.0    | 54                  |
| 56                  | 54.2m x | 54.2m x | 54.2m x | 54.2m x | 54.2m x |        | 56                  |
| 58                  | 7.0t    | 6.9t    | 6.0t    | 5.9t    | 5.0t    |        | 58                  |

Unit: ton

| Boom Length (m)     | 60      |         |         | Boom Length (m)     |
|---------------------|---------|---------|---------|---------------------|
| Jib Length (m)      | 31      |         | 37      | Jib Length (m)      |
| Offset angle (deg.) | 10      | 30      | 10      | Offset angle (deg.) |
| Working Radius (m)  |         |         |         | Working Radius (m)  |
| 8                   | 9.9m x  | 9.9m x  | 9.9m x  | 8                   |
| 9                   | 118.0t  | 118.0t  | 118.0t  | 9                   |
| 10                  | 118.0   | 118.0   | 118.0   | 10                  |
| 12                  | 116.1   | 115.4   | 115.5   | 12                  |
| 14                  | 101.3   | 98.7    | 100.2   | 14                  |
| 16                  | 86.1    | 83.8    | 85.0    | 16                  |
| 18                  | 74.1    | 72.2    | 73.0    | 18                  |
| 20                  | 64.5    | 62.8    | 63.4    | 20                  |
| 22                  | 56.0    | 53.9    | 54.7    | 22                  |
| 24                  | 48.4    | 46.5    | 47.0    | 24                  |
| 26                  | 42.0    | 40.3    | 40.6    | 26                  |
| 28                  | 36.5    | 35.1    | 35.2    | 28                  |
| 30                  | 31.9    | 30.6    | 30.6    | 30                  |
| 32                  | 27.8    | 26.7    | 26.6    | 32                  |
| 34                  | 24.3    | 23.3    | 23.1    | 34                  |
| 36                  | 21.2    | 20.3    | 19.9    | 36                  |
| 38                  | 18.4    | 17.6    | 17.2    | 38                  |
| 40                  | 15.9    | 15.2    | 14.7    | 40                  |
| 42                  | 13.7    | 13.1    | 12.5    | 42                  |
| 44                  | 11.7    | 11.2    | 10.5    | 44                  |
| 46                  | 9.8     | 9.4     | 8.7     | 46                  |
| 48                  | 8.2     | 7.8     | 7.0     | 48                  |
| 50                  | 6.7     | 6.4     | 5.5     | 50                  |
| 52                  | 5.3     | 5.1     | 50.7m x | 52                  |
| 54                  | 52.4m x | 52.1m x | 5.0t    | 54                  |
| 56                  | 5.0t    | 5.0t    |         | 56                  |

\* For notes about the table above, refer to page 33.



■ Main Boom with Crane Jib (Rear end Radius: Standard)



Unit: ton

| Boom Length (m)     | 66      |         |         |         |         |         | Boom Length (m)     |
|---------------------|---------|---------|---------|---------|---------|---------|---------------------|
| Jib Length (m)      | 13      |         | 19      |         | 25      |         | Jib Length (m)      |
| Offset angle (deg.) | 10      | 30      | 10      | 30      | 10      | 30      | Offset angle (deg.) |
| Working Radius (m)  |         |         |         |         |         |         | Working Radius (m)  |
| 9                   | 10.6m x | 10.6m x | 10.6m x | 10.6m x | 10.6m x | 10.6m x | 9                   |
| 10                  | 93.1t   | 92.8t   | 92.5t   | 92.2t   | 92.0t   | 91.5t   | 10                  |
| 12                  | 90.9    | 90.7    | 90.4    | 90.0    | 89.8    | 89.3    | 12                  |
| 14                  | 88.0    | 87.7    | 87.4    | 87.1    | 86.9    | 86.4    | 14                  |
| 16                  | 85.1    | 84.9    | 84.6    | 84.2    | 84.0    | 83.4    | 16                  |
| 18                  | 76.4    | 75.6    | 75.2    | 73.9    | 74.0    | 72.2    | 18                  |
| 20                  | 66.8    | 66.2    | 65.9    | 64.8    | 64.7    | 63.1    | 20                  |
| 22                  | 58.8    | 58.3    | 57.9    | 56.6    | 56.6    | 55.0    | 22                  |
| 24                  | 51.3    | 50.6    | 50.1    | 49.1    | 49.0    | 47.5    | 24                  |
| 26                  | 44.8    | 44.2    | 43.7    | 42.7    | 42.5    | 41.2    | 26                  |
| 28                  | 39.3    | 38.8    | 38.2    | 37.4    | 37.1    | 35.9    | 28                  |
| 30                  | 34.6    | 34.1    | 33.5    | 32.8    | 32.4    | 31.4    | 30                  |
| 32                  | 30.5    | 30.1    | 29.4    | 28.8    | 28.3    | 27.4    | 32                  |
| 34                  | 27.0    | 26.6    | 25.9    | 25.3    | 24.8    | 24.0    | 34                  |
| 36                  | 23.8    | 23.5    | 22.7    | 22.2    | 21.7    | 20.9    | 36                  |
| 38                  | 21.0    | 20.7    | 19.9    | 19.5    | 18.9    | 18.2    | 38                  |
| 40                  | 18.5    | 18.2    | 17.4    | 17.0    | 16.4    | 15.8    | 40                  |
| 42                  | 16.2    | 16.0    | 15.2    | 14.8    | 14.1    | 13.6    | 42                  |
| 44                  | 14.2    | 14.0    | 13.1    | 12.8    | 12.1    | 11.6    | 44                  |
| 46                  | 12.3    | 12.1    | 11.3    | 11.0    | 10.3    | 9.9     | 46                  |
| 48                  | 10.6    | 10.4    | 9.6     | 9.4     | 8.6     | 8.2     | 48                  |
| 50                  | 9.1     | 8.9     | 8.1     | 7.8     | 7.1     | 6.7     | 50                  |
| 52                  | 7.6     | 7.5     | 6.6     | 6.5     | 5.6     | 5.4     | 52                  |
| 54                  | 6.3     | 6.2     | 5.3     | 5.2     | 52.9m x | 52.6m x | 54                  |
| 56                  | 5.1     | 5.0     | 54.5m x | 54.3m x | 5.0t    | 5.0t    | 56                  |
| 58                  | 56.1m x |         | 5.0t    | 5.0t    |         |         | 58                  |
| 60                  | 5.0t    |         |         |         |         |         | 60                  |

Unit: ton

| Boom Length (m)     | 66      |         |         | Boom Length (m)     |
|---------------------|---------|---------|---------|---------------------|
| Jib Length (m)      | 31      |         | 37      | Jib Length (m)      |
| Offset angle (deg.) | 10      | 30      | 10      | Offset angle (deg.) |
| Working Radius (m)  |         |         |         | Working Radius (m)  |
| 9                   | 10.6m x | 10.6m x | 10.6m x | 9                   |
| 10                  | 91.5t   | 90.8t   | 90.9t   | 10                  |
| 12                  | 89.3    | 88.6    | 88.7    | 12                  |
| 14                  | 86.3    | 85.7    | 85.7    | 14                  |
| 16                  | 83.4    | 81.4    | 82.6    | 16                  |
| 18                  | 72.6    | 70.3    | 71.2    | 18                  |
| 20                  | 63.4    | 61.3    | 62.0    | 20                  |
| 22                  | 55.4    | 53.2    | 54.1    | 22                  |
| 24                  | 47.7    | 45.8    | 46.4    | 24                  |
| 26                  | 41.3    | 39.6    | 40.0    | 26                  |
| 28                  | 35.9    | 34.4    | 34.6    | 28                  |
| 30                  | 31.2    | 29.9    | 30.0    | 30                  |
| 32                  | 27.2    | 26.0    | 26.0    | 32                  |
| 34                  | 23.6    | 22.6    | 22.5    | 34                  |
| 36                  | 20.5    | 19.6    | 19.3    | 36                  |
| 38                  | 17.8    | 16.9    | 16.6    | 38                  |
| 40                  | 15.3    | 14.5    | 14.1    | 40                  |
| 42                  | 13.0    | 12.3    | 11.9    | 42                  |
| 44                  | 11.0    | 10.4    | 9.9     | 44                  |
| 46                  | 9.2     | 8.7     | 8.1     | 46                  |
| 48                  | 7.5     | 7.1     | 6.4     | 48                  |
| 50                  | 6.0     | 5.6     | 49.8m x | 50                  |
| 52                  | 51.4m x | 50.9m x | 5.0t    | 52                  |
| 54                  | 5.0t    | 5.0t    |         | 54                  |

\* For notes about the table above, refer to page 33.

■ Main Boom with Crane Jib (Rear end Radius: Standard)



Unit: ton

| Boom Length (m)     | 72      |         |         |         |         |         | Boom Length (m)     |
|---------------------|---------|---------|---------|---------|---------|---------|---------------------|
| Jib Length (m)      | 13      |         | 19      |         | 25      |         | Jib Length (m)      |
| Offset angle (deg.) | 10      | 30      | 10      | 30      | 10      | 30      | Offset angle (deg.) |
| Working Radius (m)  | 10      | 30      | 10      | 30      | 10      | 30      | Working Radius (m)  |
| 9                   | 11.3m x | 11.3m x | 11.3m x | 11.3m x | 11.3m x | 11.3m x | 9                   |
| 10                  | 71.3t   | 71.1t   | 70.8t   | 70.4t   | 70.3t   | 69.7t   | 10                  |
| 12                  | 70.4    | 70.2    | 69.9    | 69.5    | 69.3    | 68.8    | 12                  |
| 14                  | 67.9    | 67.7    | 67.4    | 67.0    | 66.8    | 66.3    | 14                  |
| 16                  | 65.5    | 65.3    | 65.0    | 64.6    | 64.4    | 63.9    | 16                  |
| 18                  | 63.1    | 62.9    | 62.6    | 62.3    | 62.0    | 61.6    | 18                  |
| 20                  | 60.9    | 60.7    | 60.4    | 60.0    | 59.8    | 59.4    | 20                  |
| 22                  | 57.0    | 56.3    | 55.9    | 54.9    | 54.7    | 53.3    | 22                  |
| 24                  | 50.0    | 49.3    | 48.9    | 47.8    | 47.7    | 46.2    | 24                  |
| 26                  | 43.6    | 42.9    | 42.4    | 41.5    | 41.3    | 40.0    | 26                  |
| 28                  | 38.1    | 37.5    | 37.0    | 36.1    | 35.9    | 34.7    | 28                  |
| 30                  | 33.4    | 32.9    | 32.3    | 31.5    | 31.2    | 30.1    | 30                  |
| 32                  | 29.3    | 28.8    | 28.2    | 27.5    | 27.2    | 26.2    | 32                  |
| 34                  | 25.7    | 25.3    | 24.7    | 24.0    | 23.6    | 22.7    | 34                  |
| 36                  | 22.6    | 22.2    | 21.5    | 21.0    | 20.5    | 19.7    | 36                  |
| 38                  | 19.8    | 19.4    | 18.7    | 18.2    | 17.7    | 17.0    | 38                  |
| 40                  | 17.3    | 17.0    | 16.2    | 15.8    | 15.2    | 14.6    | 40                  |
| 42                  | 15.0    | 14.7    | 14.0    | 13.6    | 13.0    | 12.4    | 42                  |
| 44                  | 13.0    | 12.7    | 12.0    | 11.6    | 11.0    | 10.4    | 44                  |
| 46                  | 11.1    | 10.9    | 10.1    | 9.8     | 9.1     | 8.6     | 46                  |
| 48                  | 9.4     | 9.2     | 8.4     | 8.1     | 7.5     | 7.0     | 48                  |
| 50                  | 7.9     | 7.7     | 6.9     | 6.6     | 5.9     | 5.5     | 50                  |
| 52                  | 6.5     | 6.3     | 5.5     | 5.2     | 51.2m x | 50.7m x | 52                  |
| 54                  | 5.1     | 5.0     | 52.7m x | 52.3m x | 5.0t    | 5.0t    | 54                  |
| 56                  | 54.1m x |         | 5.0t    | 5.0t    |         |         | 56                  |
| 58                  | 5.0t    |         |         |         |         |         | 58                  |

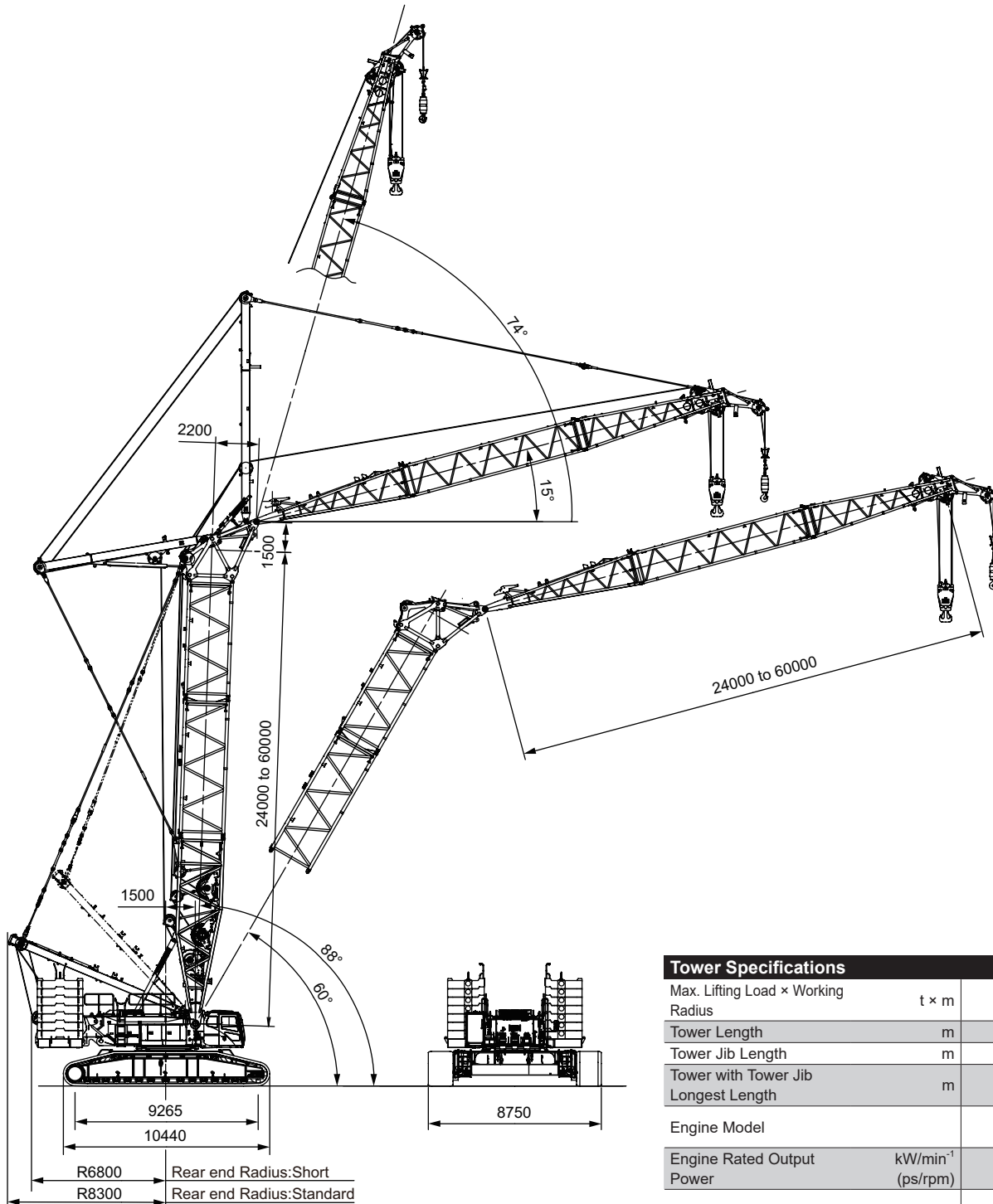
Unit: ton

| Boom Length (m)     | 72      |         |         | Boom Length (m)     |
|---------------------|---------|---------|---------|---------------------|
| Jib Length (m)      | 31      |         | 37      | Jib Length (m)      |
| Offset angle (deg.) | 10      | 30      | 10      | Offset angle (deg.) |
| Working Radius (m)  | 10      | 30      | 10      | Working Radius (m)  |
| 9                   | 11.3m x | 11.3m x | 11.3m x | 9                   |
| 10                  | 69.7t   | 69.1t   | 69.2t   | 10                  |
| 12                  | 68.8    | 68.1    | 68.2    | 12                  |
| 14                  | 66.3    | 65.6    | 65.7    | 14                  |
| 16                  | 63.8    | 63.2    | 63.3    | 16                  |
| 18                  | 61.5    | 60.9    | 60.9    | 18                  |
| 20                  | 59.2    | 58.6    | 58.6    | 20                  |
| 22                  | 53.5    | 51.7    | 52.2    | 22                  |
| 24                  | 46.5    | 44.6    | 45.3    | 24                  |
| 26                  | 40.1    | 38.4    | 38.9    | 26                  |
| 28                  | 34.7    | 33.2    | 33.5    | 28                  |
| 30                  | 30.1    | 28.7    | 28.9    | 30                  |
| 32                  | 26.0    | 24.8    | 24.9    | 32                  |
| 34                  | 22.5    | 21.4    | 21.4    | 34                  |
| 36                  | 19.4    | 18.4    | 18.3    | 36                  |
| 38                  | 16.6    | 15.7    | 15.5    | 38                  |
| 40                  | 14.1    | 13.3    | 13.0    | 40                  |
| 42                  | 11.9    | 11.2    | 10.8    | 42                  |
| 44                  | 9.9     | 9.2     | 8.8     | 44                  |
| 46                  | 8.1     | 7.5     | 7.0     | 46                  |
| 48                  | 6.4     | 5.9     | 5.3     | 48                  |
| 50                  | 49.8m x | 49.2m x | 48.4m x | 50                  |
| 52                  | 5.0t    | 5.0t    | 5.0t    | 52                  |

\* For notes about the table above, refer to page 33.

# Tower Specifications

## Dimensions and Specifications



### Tower Specifications

|                                     |                               |   |
|-------------------------------------|-------------------------------|---|
| Max. Lifting Load × Working Radius  | t × m                         | 100 × 12.4  |
| Tower Length                        | m                             | 24 to 60  |
| Tower Jib Length                    | m                             | 24 to 60  |
| Tower with Tower Jib Longest Length | m                             | 60 + 60   |
| Engine Model                        |                               | CUMMINS QSL9 (Stage IV/Tier 4f)                         |
| Engine Rated Output Power           | kW/min <sup>-1</sup> (ps/rpm) | 272/2,000 (370/2,000)                                   |
| Ground Contact Pressure             | kPa (kgf/cm <sup>2</sup> )    | 152.6 (1.55) (Tower with Tower Jib Longest Length)      |
| Overall Operating Weight            | t                             | Approximately 360 (Tower with Tower Jib Longest Length) |

NOTE : Data is expressed in SI units followed by conventional units in ( ).

# Tower Standard Configurations

## Tower Boom

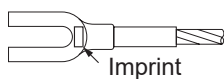
| Tower Boom Length (m) | Tower Boom Configurations |
|-----------------------|---------------------------|
| 24                    |                           |
| 30                    |                           |
| 36                    |                           |
| 42                    |                           |
| 48                    |                           |
| 54                    |                           |
| 60                    |                           |

## Tower Jib

| Tower Jib Length (m) | Tower Jib Configurations |
|----------------------|--------------------------|
| 24                   |                          |
| 30                   |                          |
| 36                   |                          |
| 42                   |                          |
| 48                   |                          |
| 54                   |                          |
| 60                   |                          |

NOTE: Check the pendant rope with referring to the imprints on the rope end.

| Symbols | Length (m) | Rope Diameter (mm) | Imprint              |
|---------|------------|--------------------|----------------------|
| 6       | 5.6        | 48                 | □ • △ • 48 • 5.6 • 6 |
| 9       | 8.6        | 48                 | □ • △ • 48 • 8.6 • 6 |



### Dimensions Not Shown In The Figure

| Symbols | Tower Boom Length (m) | Note          |
|---------|-----------------------|---------------|
| HB9.5   | 9.5                   | Boom Base     |
| HH1.5   | 1.5                   | Hammer Head   |
| HT1.5   | 1.5                   | Boom Top      |
| H6      | 6                     | Boom Insert   |
| H6B     | 6                     | Boom Insert B |
| H9      | 9                     | Boom Insert   |
| HR7     | 7                     | Reducer       |

### Dimensions Not Shown In The Figure

| Symbols | Tower Jib Length (m) | Note                     |
|---------|----------------------|--------------------------|
| LB8     | 8                    | Tower/Luffing Jib Base   |
| L6      | 6                    | Tower/Luffing Jib Insert |
| L9      | 9                    | Tower/Luffing Jib Insert |
| LT7     | 7                    | Tower/Luffing Jib Top    |

### Dimensions Not Shown In The Figure

| Symbols | Bar Pendant Length (m) | Note   |
|---------|------------------------|--|
| 2.5     | 2.5                    | 0.5m + 0.3m + 1.3m (Spreader) + 0.4m                                     |
| 3       | 3                      | 0.4m + 1.2m + 1.0m + 0.4m<br>* For rear end radius: short radius not use |
| 6       | 6                      | 5.6m + 0.4m (Link)   |
| 7       | 7                      | 6.6m + 0.4m (Link)   |
| 9       | 9                      | 8.6m + 0.4m (Link)   |
| 3.1     | 3.1                    | 0.4m (Link) + 2.3m + 0.4m (Link)   |

### Dimensions Not Shown In The Figure

| Symbols | Pendant Rope Length (m) | Note   |
|---------|-------------------------|--|
| 6       | 6                       | 5.6m + 0.4m (Link)                               |
| 9       | 9                       | 8.6m + 0.4m (Link)                               |
| 6.4     | 6.4                     | 0.45m (Link) + 5.6m (Bar Pendant) + 0.35m (Link) |

**Tower Jib Installable Tower Length (Rear end Radius: Standard)**

| Jib Length (m) | Tower Length |    |    |    |    |    |    |
|----------------|--------------|----|----|----|----|----|----|
|                | 24           | 30 | 36 | 42 | 48 | 54 | 60 |
| 24             | ○            | ○  | ○  | ○  | ○  | ○  | ×  |
| 30             | ○            | ○  | ○  | ○  | ○  | ○  | ○  |
| 36             | ○            | ○  | ○  | ○  | ○  | ○  | ○  |
| 42             | ○            | ○  | ○  | ○  | ○  | ○  | ○  |
| 48             | ○            | ○  | ○  | ○  | ○  | ○  | ○  |
| 54             | ○            | ○  | ○  | ○  | ○  | ○  | △  |
| 60             | ○            | ○  | ○  | ○  | ○  | ○  | △  |

The symbols in the table are as below.

- : Attachable
- × : Not Attachable
- △ : Removal of Sheave Lock Required

**Tower Jib Installable Tower Length (Rear end Radius: Short)**

| Jib Length (m) | Tower Length |    |    |    |    |    |    |
|----------------|--------------|----|----|----|----|----|----|
|                | 24           | 30 | 36 | 42 | 48 | 54 | 60 |
| 24             | ○            | ○  | ○  | ○  | ○  | ×  | ×  |
| 30             | ○            | ○  | ○  | ○  | ○  | ○  | ×  |
| 36             | ○            | ○  | ○  | ○  | ○  | ○  | ×  |
| 42             | ○            | ○  | ○  | ○  | ○  | ○  | ×  |
| 48             | ○            | ○  | ○  | ○  | ○  | ○  | ×  |
| 54             | ○            | ○  | ○  | ○  | ○  | △  | ×  |
| 60             | ○            | ○  | ○  | ○  | ○  | △  | ×  |

The symbols in the table are as below.

- : Attachable
- × : Not Attachable
- △ : Removal of Sheave Lock Required

## Restriction of Hook Usage

The hooks which can be used as a jib hook, when there is and when there isn't an aux. sheave hook, are listed in the following table. Using the unusable hook cause the jib to swing.

| Tower Length | 24 |    |    |    |    |    |    | 30 |    |    |    |    |    |    |
|--------------|----|----|----|----|----|----|----|----|----|----|----|----|----|----|
|              | 24 | 30 | 36 | 42 | 48 | 54 | 60 | 24 | 30 | 36 | 42 | 48 | 54 | 60 |
| 100t Hook    | ○  | ○  | ○  | ○  | ○  | ○  | ○  | ○  | ○  | ○  | ○  | ○  | ○  | ○  |
| 45t Hook     | ○  | ○  | ○  | ○  | ○  | ○  | ○  | ○  | ○  | ○  | ○  | ○  | ○  | ○  |
| 15t Hook     | ×  | ×  | ×  | ○  | ○  | ○  | ○  | ×  | ×  | ×  | ○  | ○  | ○  | ○  |

| Tower Length | 36 |    |    |    |    |    |    | 42 |    |    |    |    |    |    |
|--------------|----|----|----|----|----|----|----|----|----|----|----|----|----|----|
|              | 24 | 30 | 36 | 42 | 48 | 54 | 60 | 24 | 30 | 36 | 42 | 48 | 54 | 60 |
| 100t Hook    | ○  | ○  | ○  | ○  | ○  | ○  | ○  | ○  | ○  | ○  | ○  | ○  | ○  | ○  |
| 45t Hook     | ○  | ○  | ○  | ○  | ○  | ○  | ○  | ○  | ○  | ○  | ○  | ○  | ○  | ○  |
| 15t Hook     | ×  | ×  | ×  | ○  | ○  | ○  | ○  | ×  | ×  | ×  | ○  | ○  | ○  | ○  |

| Tower Length | 48 |    |    |    |    |    |    | 54 |    |    |    |    |    |    |
|--------------|----|----|----|----|----|----|----|----|----|----|----|----|----|----|
|              | 24 | 30 | 36 | 42 | 48 | 54 | 60 | 24 | 30 | 36 | 42 | 48 | 54 | 60 |
| 100t Hook    | ○  | ○  | ○  | ○  | ○  | ○  | ○  | ○  | ○  | ○  | ○  | ○  | ○  | ○  |
| 45t Hook     | ×  | ○  | ○  | ○  | ○  | ○  | ○  | ×  | ○  | ○  | ○  | ○  | ○  | ○  |
| 15t Hook     | ×  | ×  | ×  | ○  | ○  | ○  | ○  | ×  | ×  | ×  | ○  | ○  | ○  | ○  |

| Tower Length | 60 |    |    |    |    |    |
|--------------|----|----|----|----|----|----|
|              | 30 | 36 | 42 | 48 | 54 | 60 |
| 100t Hook    | ○  | ○  | ○  | ○  | ○  | ○  |
| 45t Hook     | ×  | ○  | ○  | ○  | ○  | ○  |
| 15t Hook     | ×  | ×  | ○  | ○  | ○  | ○  |

The symbols in the table are as below.

- : usable
- ×

In the aux. sheave hook, a 45t hook or 15t hook can be used in all combinations.

## Lowerable Jib Hook Mass

Unit:ton

| Tower Length + Jib Length (m) | No. of Reeved Lines |         |         |         |         |         |         |
|-------------------------------|---------------------|---------|---------|---------|---------|---------|---------|
|                               | 1 fall              | 2 falls | 3 falls | 4 falls | 5 falls | 6 falls | 7 falls |
| 48                            | 0.6                 | 2.1     | 2.1     | 3.1     | 3.1     | 3.1     | 3.1     |
| 54                            | 0.6                 | 2.1     | 2.1     | 3.1     | 3.1     | 3.1     | 3.1     |
| 60                            | 0.6                 | 2.1     | 2.1     | 3.1     | 3.1     | 3.1     | 3.1     |
| 66                            | 0.6                 | 2.1     | 2.1     | 3.1     | 3.1     | 3.1     | 3.1     |
| 72                            | 0.6                 | 2.1     | 2.1     | 3.1     | 3.1     | 3.1     | -       |
| 78                            | 0.6                 | 2.1     | 2.1     | 3.1     | 3.1     | -       | -       |
| 84                            | 0.6                 | 2.1     | 2.1     | 3.1     | 3.1     | -       | -       |
| 90                            | 0.6                 | 2.1     | 2.1     | 3.1     | -       | -       | -       |
| 96                            | 0.7                 | 2.1     | 2.1     | 3.1     | -       | -       | -       |
| 102                           | 0.7                 | 2.1     | 2.1     | -       | -       | -       | -       |
| 108                           | 0.7                 | 2.1     | 2.1     | -       | -       | -       | -       |
| 114                           | 0.8                 | 2.1     | 2.2     | -       | -       | -       | -       |
| 120                           | 0.8                 | 2.1     | -       | -       | -       | -       | -       |

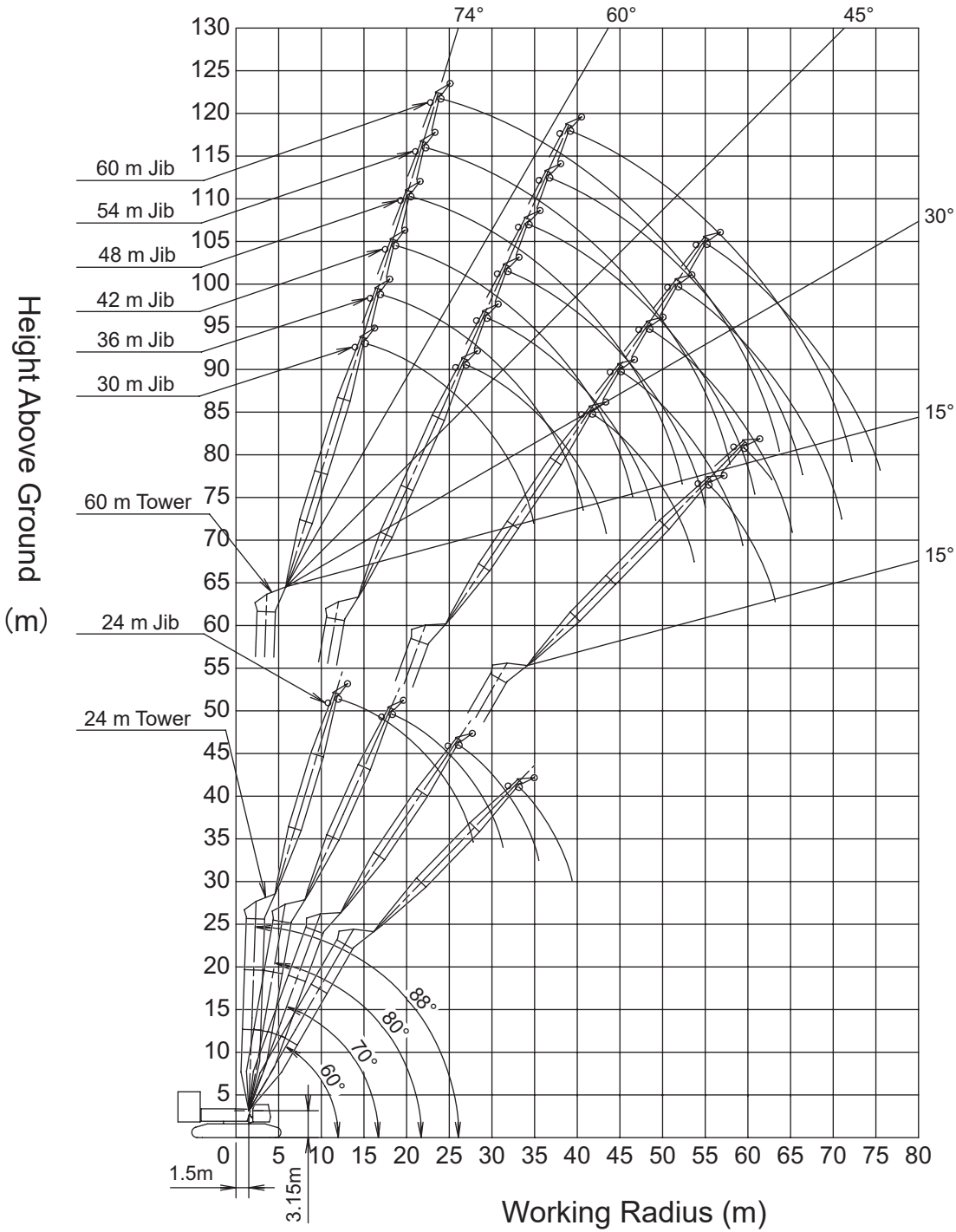
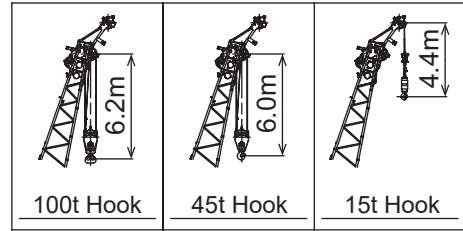
## Lowerable Tower Head Hook Mass

Unit:ton

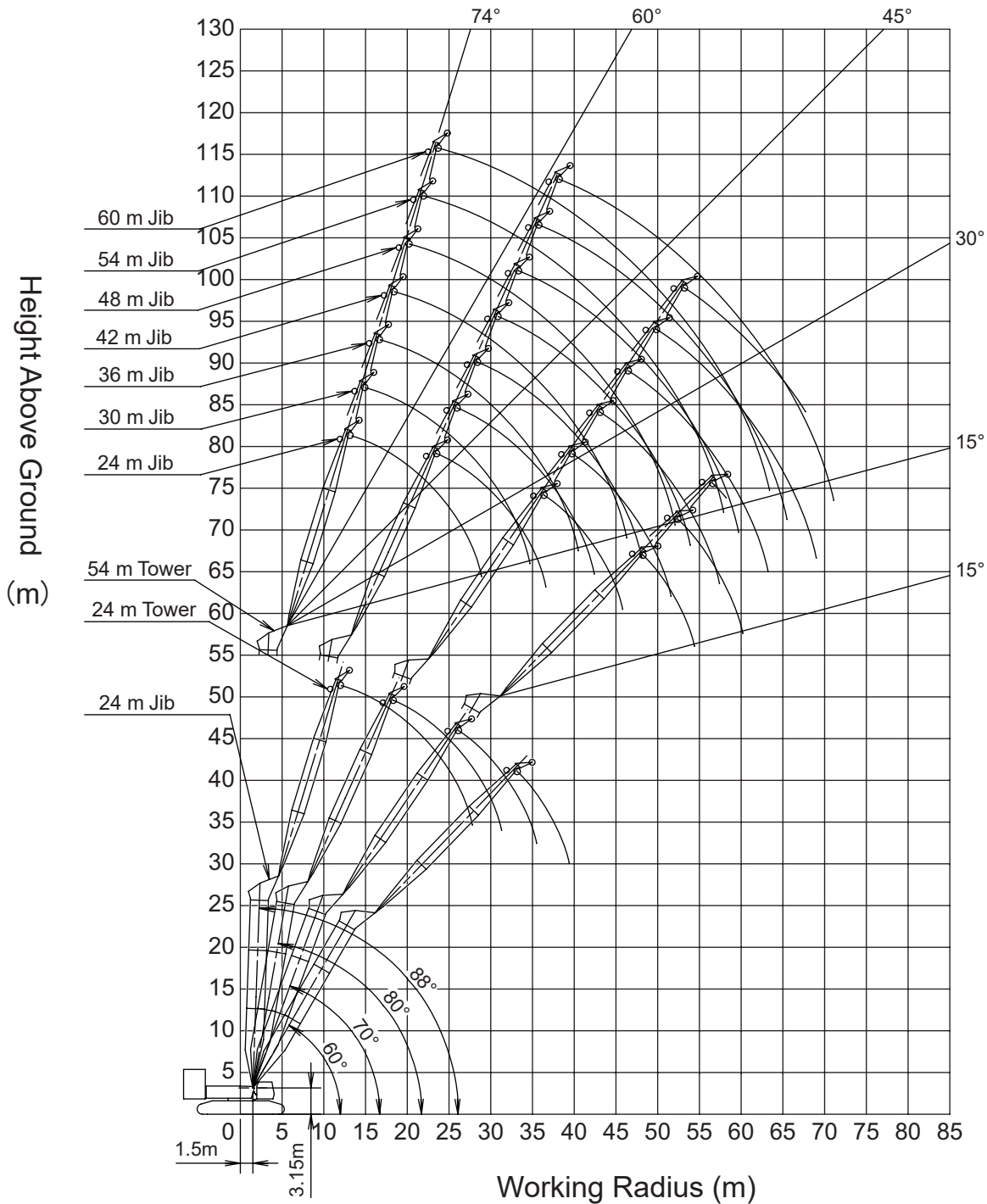
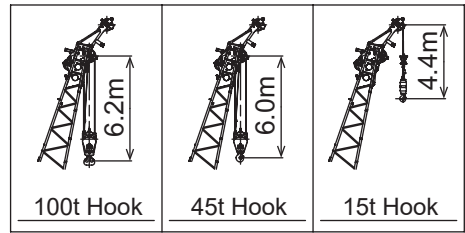
| Tower Length (m) | No. of Reeved Lines |         |         |         |         |         |         |
|------------------|---------------------|---------|---------|---------|---------|---------|---------|
|                  | 1 fall              | 2 falls | 3 falls | 4 falls | 5 falls | 6 falls | 7 falls |
| 24               | 0.6                 | 2.1     | 2.1     | 3.1     | 3.1     | 3.1     | 3.1     |
| 30               | 0.6                 | 2.1     | 2.1     | 3.1     | 3.1     | 3.1     | 3.1     |
| 36               | 0.6                 | 2.1     | 2.1     | 3.1     | 3.1     | 3.1     | 3.1     |
| 42               | 0.6                 | 2.1     | 2.1     | 3.1     | 3.1     | 3.1     | 3.1     |
| 48               | 0.6                 | 2.1     | 2.1     | 3.1     | 3.1     | 3.1     | 3.1     |
| 54               | 0.6                 | 2.1     | 2.1     | 3.1     | 3.1     | 3.1     | 3.1     |
| 60               | 0.6                 | 2.1     | 2.1     | 3.1     | 3.1     | 3.1     | 3.1     |

# Working Ranges

## ■Rear end Radius: Standard

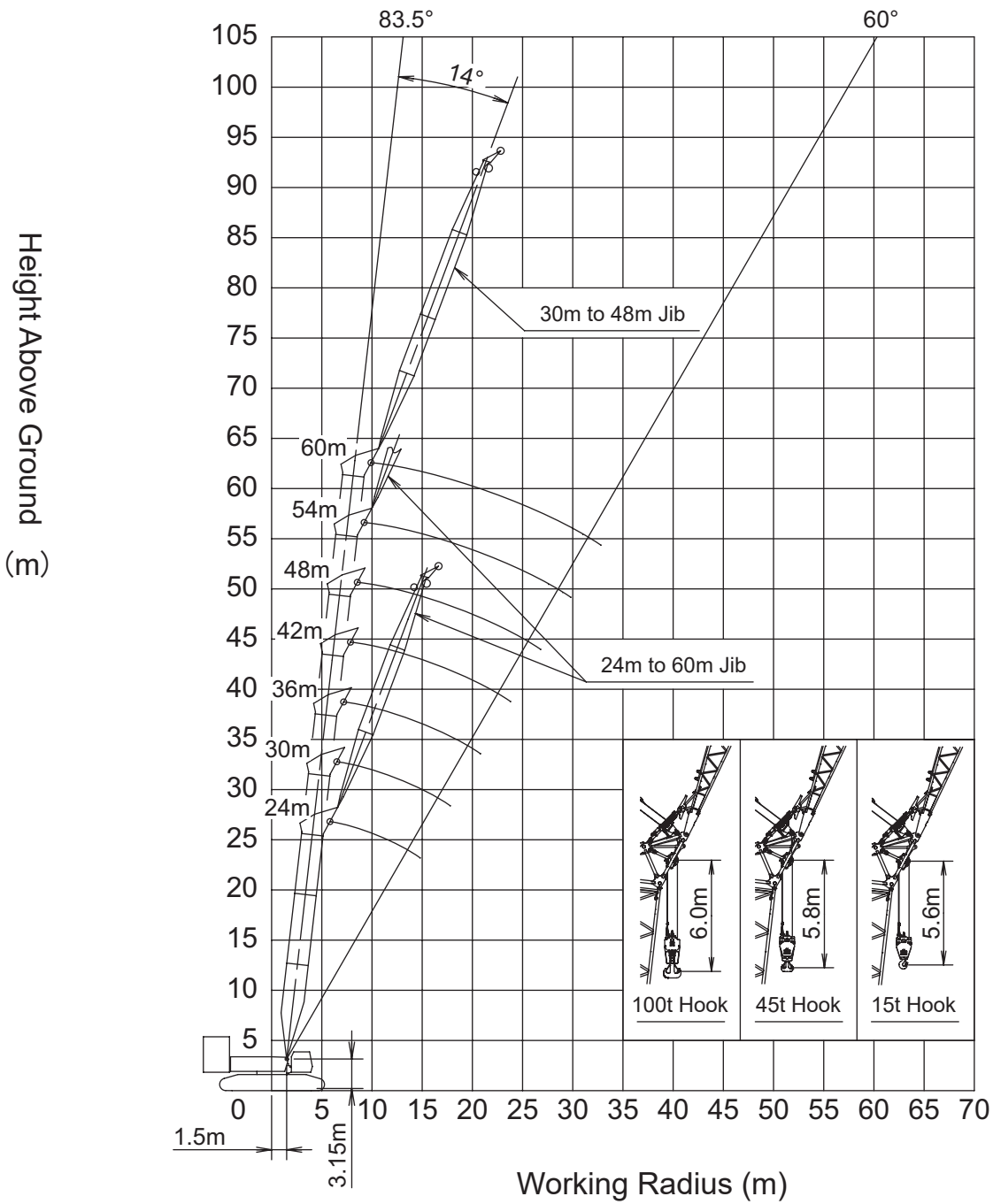


■ Rear end Radius: Short





■ Tower Head Hoisting (Rear end Radius: Standard)



# Gross Rated Load Table

## ■ Tower 24 m (Rear end Radius: Standard)



Unit: ton

| Boom Length (m)   | 24      |         |         |         |               |         |         |         | Boom Length (m)   |
|-------------------|---------|---------|---------|---------|---------------|---------|---------|---------|-------------------|
| Jib Length (m)    | 24      |         |         |         | 30            |         |         |         | Jib Length (m)    |
| Boom Angle (deg.) | 88      | 80      | 70      | 60      | 88            | 80      | 70      | 60      | Boom Angle (deg.) |
| Radius (m)        |         |         |         |         |               |         |         |         | Radius (m)        |
| -                 |         |         |         |         | 13.8m x 90.0t |         |         |         | -                 |
| 12.1              | 100.0   |         |         |         | 90.0t         |         |         |         | 12.1              |
| 14                | 93.0    |         |         |         | 89.2          |         |         |         | 14                |
| 16                | 84.1    | 18.3m x |         |         | 82.2          |         |         |         | 16                |
| 18                | 76.9    | 85.8t   |         |         | 75.0          | 20.8m x |         |         | 18                |
| 20                | 70.9    | 79.6    |         |         | 69.1          | 74.4t   |         |         | 20                |
| 22                | 65.9    | 73.1    |         |         | 64.0          | 71.1    |         |         | 22                |
| 24                | 58.6    | 67.2    | 26.1m x |         | 59.7          | 65.9    |         |         | 24                |
| 26                | 45.5    | 60.6    | 55.9t   |         | 56.0          | 60.6    | 29.5m x |         | 26                |
| 28                | 27.8m x | 55.0    | 51.1    |         | 52.9          | 55.1    | 47.6t   |         | 28                |
| 30                | 33.7t   | 48.2    | 46.7    | 33.2m x | 44.1          | 50.4    | 46.6    |         | 30                |
| 32                |         | 31.3m x | 42.9    | 37.8t   | 34.8          | 46.4    | 42.9    |         | 32                |
| 34                |         | 38.8t   | 39.6    | 36.6    | 33.6m x       | 42.9    | 39.6    | 37.4m x | 34                |
| 36                |         |         | 35.5m x | 33.9    | 27.3t         | 37.5    | 36.8    | 32.2t   | 36                |
| 38                |         |         | 37.4t   | 31.6    |               | 37.1m x | 34.3    | 31.5    | 38                |
| 40                |         |         |         | 39.4m x |               | 31.6t   | 32.0    | 29.4    | 40                |
| 42                |         |         |         | 30.0t   |               |         | 41.3m x | 27.6    | 42                |
| 44                |         |         |         |         |               |         | 30.7t   | 25.9    | 44                |
| 46                |         |         |         |         |               |         |         | 45.2m x | 46                |
| 48                |         |         |         |         |               |         |         | 25.0t   | 48                |

Unit: ton

| Boom Length (m)   | 24      |         |         |         |         |         |         |         | Boom Length (m)   |
|-------------------|---------|---------|---------|---------|---------|---------|---------|---------|-------------------|
| Jib Length (m)    | 36      |         |         |         | 42      |         |         |         | Jib Length (m)    |
| Boom Angle (deg.) | 88      | 80      | 70      | 60      | 88      | 80      | 70      | 60      | Boom Angle (deg.) |
| Radius (m)        |         |         |         |         |         |         |         |         | Radius (m)        |
| 12                | 15.5m x |         |         |         |         |         |         |         | 12                |
| 14                | 79.1t   |         |         |         | 17.2m x |         |         |         | 14                |
| 16                | 77.5    |         |         |         | 69.9t   |         |         |         | 16                |
| 18                | 71.9    |         |         |         | 67.9    |         |         |         | 18                |
| 20                | 66.8    | 23.2m x |         |         | 63.3    |         |         |         | 20                |
| 22                | 61.8    | 64.4t   |         |         | 59.2    | 25.7m x |         |         | 22                |
| 24                | 57.5    | 62.7    |         |         | 55.5    | 56.1t   |         |         | 24                |
| 26                | 53.8    | 58.9    |         |         | 51.9    | 55.6    |         |         | 26                |
| 28                | 50.6    | 54.6    |         |         | 48.7    | 52.3    |         |         | 28                |
| 30                | 47.8    | 49.9    | 32.9m x |         | 45.9    | 49.3    |         |         | 30                |
| 32                | 45.3    | 45.9    | 40.7t   |         | 43.4    | 45.3    |         |         | 32                |
| 34                | 40.2    | 42.4    | 38.9    |         | 41.2    | 41.8    | 36.2m x |         | 34                |
| 36                | 33.2    | 39.3    | 36.1    |         | 39.2    | 38.8    | 35.2t   |         | 36                |
| 38                | 26.7    | 36.7    | 33.6    | 41.6m x | 36.3    | 36.1    | 33.0    |         | 38                |
| 40                | 39.4m x | 34.3    | 31.4    | 27.2t   | 30.8    | 33.7    | 30.8    |         | 40                |
| 42                | 21.9t   | 29.1    | 29.4    | 26.8    | 25.7    | 31.6    | 28.8    | 45.7m x | 42                |
| 44                |         | 42.9m x | 27.6    | 25.2    | 20.9    | 29.6    | 27.0    | 23.2t   | 44                |
| 46                |         | 25.7t   | 26.0    | 23.7    | 45.2m x | 27.9    | 25.4    | 23.0    | 46                |
| 48                |         |         | 47.1m x | 22.3    | 17.8t   | 23.1    | 23.9    | 21.6    | 48                |
| 50                |         |         | 25.2t   | 21.1    |         | 48.7m x | 22.6    | 20.4    | 50                |
| 52                |         |         |         | 51.0m x |         | 21.1t   | 21.4    | 19.2    | 52                |
| 54                |         |         |         | 20.5t   |         |         | 52.9m x | 18.2    | 54                |
| 56                |         |         |         |         |         |         | 20.8t   | 17.2    | 56                |
| 58                |         |         |         |         |         |         |         | 56.8m x | 58                |
| 60                |         |         |         |         |         |         |         | 16.9t   | 60                |

- The rated loads are determined according to EN13000 rating on the condition that the machine is stationed on firm, level ground.
- To calculate the maximum load that can actually be lifted, deduct mass of all lifting accessories, such as hook, from figures shown above.
- The figures surrounded by bold lines are based on factors other than those which would cause a tipping condition.
- Working radius is the horizontal distance from the swing center to the center of gravity of a lifted load.
- The 145 ton counter weight and 25 ton lower weight are required for all capacities on these charts.
- Figures described as OOm x OOt in the tables indicate "working radius" m x "rated load" ton.
- The usable hook when lifting tower jib is described on page 46. Using the unusable hook cause the jib to swing.
- Correlation between the number of reeved lines, maximum rated loads, hook mass are shown in the table below.

| Hook Capacity | Hook Mass (ton) | Maximum Rated Load (ton) |        |        |        |        |        |       |
|---------------|-----------------|--------------------------|--------|--------|--------|--------|--------|-------|
|               |                 | 7falls                   | 6falls | 5falls | 4falls | 3falls | 2falls | 1fall |
| 100t          | 3.11            | 100                      | 90     | 76     | 61     | 46     | 31     | -     |
| 45t           | 2.17            | -                        | -      | -      | -      | 45     | 31     | -     |
| 15t           | 0.62            | -                        | -      | -      | -      | -      | -      | 15    |

- The necessary mass to lower the hook refers "Lowerable Jib Hook Mass" on page 47.
- Be sure to attach the balance weight (420kg x 2) to the top jib when the jib length is 24m.
- Remove the sheave block the boom top when using jib length 54 or 60 m for boom length 60 m.
- The gross rated load value of the jib with the sheave block the boom top is after 1.1 tons is deducted from the gross rated load of the jib.

■ Tower 24 m (Rear end Radius: Standard)



| Boom Length (m)   |         | 24      |         |         |    |         |         |         |         | Boom Length (m)   |    |
|-------------------|---------|---------|---------|---------|----|---------|---------|---------|---------|-------------------|----|
| Jib Length (m)    |         | 48      |         |         |    | 54      |         |         |         | Jib Length (m)    |    |
| Boom Angle (deg.) |         | 88      | 80      | 70      | 60 | 88      | 80      | 70      | 60      | Boom Angle (deg.) |    |
| Radius (m)        |         |         |         |         |    |         |         |         |         | Radius (m)        |    |
| 16                | 18.9m x |         |         |         |    |         |         |         |         |                   | 16 |
| 18                | 62.4t   |         |         |         |    | 20.6m x |         |         |         |                   | 18 |
| 20                | 60.1    |         |         |         |    | 55.4t   |         |         |         |                   | 20 |
| 22                | 56.3    |         |         |         |    | 52.8    |         |         |         |                   | 22 |
| 24                | 52.9    |         |         |         |    | 49.4    |         |         |         |                   | 24 |
| 26                | 49.7    |         |         |         |    | 46.3    |         |         |         |                   | 26 |
| 28                | 47.0    | 28.1m x |         |         |    | 43.6    | 30.5m x |         |         |                   | 28 |
| 30                | 44.5    | 49.4t   |         |         |    | 41.1    | 43.6t   |         |         |                   | 30 |
| 32                | 42.0    | 46.8    |         |         |    | 38.9    | 41.8    |         |         |                   | 32 |
| 34                | 39.7    | 44.4    |         |         |    | 36.9    | 39.7    |         |         |                   | 34 |
| 36                | 37.7    | 41.2    |         |         |    | 35.1    | 37.7    |         |         |                   | 36 |
| 38                | 35.9    | 38.2    | 39.6m x |         |    | 33.5    | 35.0    |         |         |                   | 38 |
| 40                | 34.3    | 35.5    | 30.5t   |         |    | 32.0    | 32.6    | 42.9m x |         |                   | 40 |
| 42                | 32.5    | 33.1    | 30.1    |         |    | 30.6    | 30.5    | 26.7t   |         |                   | 42 |
| 44                | 28.1    | 31.0    | 28.1    |         |    | 29.4    | 28.6    | 25.8    |         |                   | 44 |
| 46                | 24.0    | 29.1    | 26.4    |         |    | 28.2    | 26.8    | 24.2    |         |                   | 46 |
| 48                | 20.2    | 27.3    | 24.8    | 49.9m x |    | 25.6    | 25.2    | 22.7    |         |                   | 48 |
| 50                | 16.5    | 25.8    | 23.3    | 19.8t   |    | 22.2    | 23.8    | 21.4    |         |                   | 50 |
| 52                | 51.0m x | 24.3    | 22.0    | 19.7    |    | 19.1    | 22.5    | 20.1    | 54.1m x |                   | 52 |
| 54                | 14.5t   | 22.8    | 20.7    | 18.6    |    | 16.1    | 21.3    | 19.0    | 16.9t   |                   | 54 |
| 56                |         | 18.5    | 19.6    | 17.6    |    | 13.1    | 20.1    | 18.0    | 16.0    |                   | 56 |
| 58                |         | 54.5m x | 18.6    | 16.6    |    | 56.8m x | 18.4    | 17.0    | 15.1    |                   | 58 |
| 60                |         | 17.4t   | 17.7    | 15.7    |    | 11.8t   | 14.9    | 16.1    | 14.3    |                   | 60 |
| 62                |         |         | 58.7m x | 14.9    |    |         | 60.3m x | 15.3    | 13.5    |                   | 62 |
| 64                |         |         | 17.3t   | 14.2    |    |         | 14.4t   | 14.6    | 12.8    |                   | 64 |
| 66                |         |         |         | 62.6m x |    |         |         | 64.5m x | 12.1    |                   | 66 |
| 68                |         |         |         | 14.0t   |    |         |         | 14.4t   | 11.5    |                   | 68 |
| 70                |         |         |         |         |    |         |         |         | 68.4m x |                   | 70 |
| 72                |         |         |         |         |    |         |         |         | 11.4t   |                   | 72 |

| Boom Length (m)   |         | 24      |         |         |    | Boom Length (m)   |    |
|-------------------|---------|---------|---------|---------|----|-------------------|----|
| Jib Length (m)    |         | 60      |         |         |    | Jib Length (m)    |    |
| Boom Angle (deg.) |         | 88      | 80      | 70      | 60 | Boom Angle (deg.) |    |
| Radius (m)        |         |         |         |         |    | Radius (m)        |    |
| 20                | 22.4m x |         |         |         |    |                   | 20 |
| 22                | 40.8t   |         |         |         |    |                   | 22 |
| 24                | 38.6    |         |         |         |    |                   | 24 |
| 26                | 36.2    |         |         |         |    |                   | 26 |
| 28                | 33.9    |         |         |         |    |                   | 28 |
| 30                | 31.9    |         |         |         |    |                   | 30 |
| 32                | 30.1    | 33.0m x |         |         |    |                   | 32 |
| 34                | 28.5    | 32.4t   |         |         |    |                   | 34 |
| 36                | 27.0    | 31.5    |         |         |    |                   | 36 |
| 38                | 25.6    | 29.7    |         |         |    |                   | 38 |
| 40                | 24.3    | 28.2    |         |         |    |                   | 40 |
| 42                | 23.2    | 26.7    |         |         |    |                   | 42 |
| 44                | 22.1    | 25.4    |         |         |    |                   | 44 |
| 46                | 21.1    | 24.1    | 46.3m x |         |    |                   | 46 |
| 48                | 20.2    | 23.0    | 23.4t   |         |    |                   | 48 |
| 50                | 19.4    | 22.0    | 22.1    |         |    |                   | 50 |
| 52                | 18.6    | 21.0    | 20.8    |         |    |                   | 52 |
| 54                | 17.9    | 20.1    | 19.6    |         |    |                   | 54 |
| 56                | 17.3    | 19.3    | 18.5    |         |    |                   | 56 |
| 58                | 15.2    | 18.6    | 17.4    | 58.2m x |    |                   | 58 |
| 60                | 12.8    | 17.9    | 16.5    | 14.4t   |    |                   | 60 |
| 62                | 10.3    | 17.3    | 15.6    | 13.6    |    |                   | 62 |
| 64                | 62.6m x | 16.7    | 14.7    | 12.9    |    |                   | 64 |
| 66                | 9.5t    | 14.9    | 14.0    | 12.2    |    |                   | 66 |
| 68                |         | 12.0    | 13.2    | 11.5    |    |                   | 68 |
| 70                |         | 66.1m x | 12.6    | 10.9    |    |                   | 70 |
| 72                |         | 11.8t   | 11.9    | 10.3    |    |                   | 72 |
| 74                |         |         | 70.3m x | 9.7     |    |                   | 74 |
| 76                |         |         | 11.9t   | 9.2     |    |                   | 76 |
| 78                |         |         |         | 74.2m x |    |                   | 78 |
|                   |         |         |         | 9.2t    |    |                   |    |

\* For notes about the table above, refer to page 46.

■ Tower 30 m (Rear end Radius: Standard)



Unit: ton

| Boom Length (m)   | 30      |         |         |         |         |         |         |         | Boom Length (m)   |
|-------------------|---------|---------|---------|---------|---------|---------|---------|---------|-------------------|
| Jib Length (m)    | 24      |         |         |         | 30      |         |         |         | Jib Length (m)    |
| Boom Angle (deg.) | 88      | 80      | 70      | 60      | 88      | 80      | 70      | 60      | Boom Angle (deg.) |
| Radius (m)        |         |         |         |         |         |         |         |         | Radius (m)        |
| 10                | 12.4m x |         |         |         |         |         |         |         | 10                |
| 12                | 100.0t  |         |         |         | 14.1m x |         |         |         | 12                |
| 14                | 94.7    |         |         |         | 89.3t   |         |         |         | 14                |
| 16                | 86.9    | 19.4m x |         |         | 82.9    |         |         |         | 16                |
| 18                | 80.4    | 85.2t   |         |         | 76.7    | 21.8m x |         |         | 18                |
| 20                | 75.0    | 82.2    |         |         | 71.4    | 74.1t   |         |         | 20                |
| 22                | 70.5    | 73.5    |         |         | 66.9    | 73.3    |         |         | 22                |
| 24                | 62.1    | 66.2    |         |         | 63.0    | 66.1    |         |         | 24                |
| 26                | 48.5    | 59.7    | 28.2m x |         | 59.7    | 59.7    |         |         | 26                |
| 28                | 35.2    | 54.2    | 48.7t   |         | 56.8    | 54.2    | 31.6m x |         | 28                |
| 30                | 28.1m x | 49.5    | 44.9    |         | 47.6    | 49.6    | 41.8t   |         | 30                |
| 32                | 34.4t   | 43.0    | 41.2    |         | 38.3    | 45.6    | 41.1    |         | 32                |
| 34                |         | 32.4m x | 38.1    | 36.2m x | 33.8m x | 42.2    | 38.0    |         | 34                |
| 36                |         | 39.8t   | 35.3    | 31.5t   | 29.7t   | 39.2    | 35.3    |         | 36                |
| 38                |         |         | 37.6m x | 29.5    |         | 35.1    | 32.8    | 40.4m x | 38                |
| 40                |         |         | 33.3t   | 27.5    |         | 38.2m x | 30.7    | 27.0t   | 40                |
| 42                |         |         |         | 25.7    |         | 33.9t   | 28.7    | 25.6    | 42                |
| 44                |         |         |         | 42.4m x |         |         | 43.4m x | 24.0    | 44                |
| 46                |         |         |         | 25.4t   |         |         | 27.5t   | 22.6    | 46                |
| 48                |         |         |         |         |         |         |         | 21.3    | 48                |
| 50                |         |         |         |         |         |         |         | 48.2m x | 50                |
| 52                |         |         |         |         |         |         |         | 21.2t   | 52                |

Unit: ton

| Boom Length (m)   | 30      |         |         |         |         |         |         |         | Boom Length (m)   |
|-------------------|---------|---------|---------|---------|---------|---------|---------|---------|-------------------|
| Jib Length (m)    | 36      |         |         |         | 42      |         |         |         | Jib Length (m)    |
| Boom Angle (deg.) | 88      | 80      | 70      | 60      | 88      | 80      | 70      | 60      | Boom Angle (deg.) |
| Radius (m)        |         |         |         |         |         |         |         |         | Radius (m)        |
| 12                | 15.8m x |         |         |         |         |         |         |         | 12                |
| 14                | 78.7t   |         |         |         | 17.5m x |         |         |         | 14                |
| 16                | 78.1    |         |         |         | 69.6t   |         |         |         | 16                |
| 18                | 72.6    |         |         |         | 68.4    |         |         |         | 18                |
| 20                | 67.6    |         |         |         | 63.9    |         |         |         | 20                |
| 22                | 63.2    | 24.3m x |         |         | 59.9    |         |         |         | 22                |
| 24                | 59.4    | 64.4t   |         |         | 56.2    | 26.7m x |         |         | 24                |
| 26                | 56.1    | 59.1    |         |         | 53.0    | 56.5t   |         |         | 26                |
| 28                | 53.2    | 53.6    |         |         | 50.2    | 53.1    |         |         | 28                |
| 30                | 50.7    | 49.0    |         |         | 47.7    | 48.4    |         |         | 30                |
| 32                | 47.9    | 45.1    | 34.9m x |         | 45.4    | 44.5    |         |         | 32                |
| 34                | 44.5    | 41.6    | 36.0t   |         | 43.5    | 41.1    |         |         | 34                |
| 36                | 37.3    | 38.6    | 34.6    |         | 40.9    | 38.1    | 38.3m x |         | 36                |
| 38                | 30.5    | 36.0    | 32.2    |         | 38.2    | 35.4    | 31.1t   |         | 38                |
| 40                | 39.6m x | 33.6    | 30.0    |         | 35.4    | 33.1    | 29.3    |         | 40                |
| 42                | 24.8t   | 31.5    | 28.1    | 44.6m x | 29.9    | 30.9    | 27.4    |         | 42                |
| 44                |         | 28.6    | 26.3    | 22.8t   | 24.7    | 29.0    | 25.7    |         | 44                |
| 46                |         |         | 24.8    | 21.9    | 45.4m x | 27.3    | 24.1    | 48.7m x | 46                |
| 48                |         |         | 23.4    | 20.6    | 20.8t   | 25.8    | 22.7    | 19.4t   | 48                |
| 50                |         |         | 49.2m x | 19.4    |         | 49.8m x | 21.4    | 18.7    | 50                |
| 52                |         |         | 22.6t   | 18.3    |         | 24.3t   | 20.3    | 17.6    | 52                |
| 54                |         |         |         | 17.4    |         |         | 19.2    | 16.6    | 54                |
| 56                |         |         |         |         |         |         | 55.0m x | 15.7    | 56                |
| 58                |         |         |         |         |         |         | 18.7t   | 14.9    | 58                |
| 60                |         |         |         |         |         |         |         | 59.8m x | 60                |
| 62                |         |         |         |         |         |         |         | 14.2t   | 62                |

\* For notes about the table above, refer to page 46.

■ Tower 30 m (Rear end Radius: Standard)



| Boom Length (m)   |         | 30         |         |         |    |         |         |         |         | Boom Length (m)   |    |
|-------------------|---------|------------|---------|---------|----|---------|---------|---------|---------|-------------------|----|
| Jib Length (m)    |         | 48         |         |         |    | 54      |         |         |         | Jib Length (m)    |    |
| Boom Angle (deg.) |         | 88         | 80      | 70      | 60 | 88      | 80      | 70      | 60      | Boom Angle (deg.) |    |
| Radius (m)        |         | Radius (m) |         |         |    |         |         |         |         |                   |    |
| 16                | 19.2m x |            |         |         |    |         |         |         |         |                   | 16 |
| 18                | 62.1t   |            |         |         |    | 20.9m x |         |         |         |                   | 18 |
| 20                | 60.5    |            |         |         |    | 55.2t   |         |         |         |                   | 20 |
| 22                | 56.8    |            |         |         |    | 53.1    |         |         |         |                   | 22 |
| 24                | 53.4    |            |         |         |    | 49.6    |         |         |         |                   | 24 |
| 26                | 50.3    | 29.1m x    |         |         |    | 46.5    |         |         |         |                   | 26 |
| 28                | 47.6    | 49.8t      |         |         |    | 43.8    | 31.6m x |         |         |                   | 28 |
| 30                | 45.1    | 47.8       |         |         |    | 41.3    | 43.8t   |         |         |                   | 30 |
| 32                | 42.9    | 43.9       |         |         |    | 39.1    | 43.4    |         |         |                   | 32 |
| 34                | 40.9    | 40.5       |         |         |    | 37.0    | 39.9    |         |         |                   | 34 |
| 36                | 39.2    | 37.5       |         |         |    | 35.2    | 36.9    |         |         |                   | 36 |
| 38                | 37.5    | 34.8       | 41.6m x |         |    | 33.6    | 34.3    |         |         |                   | 38 |
| 40                | 35.1    | 32.5       | 27.1t   |         |    | 32.0    | 31.9    |         |         |                   | 40 |
| 42                | 33.0    | 30.4       | 26.8    |         |    | 30.7    | 29.8    | 45.0m x |         |                   | 42 |
| 44                | 31.0    | 28.5       | 25.0    |         |    | 29.4    | 27.9    | 23.7t   |         |                   | 44 |
| 46                | 28.7    | 26.8       | 23.5    |         |    | 28.2    | 26.2    | 22.9    |         |                   | 46 |
| 48                | 24.4    | 25.2       | 22.1    |         |    | 26.8    | 24.7    | 21.5    |         |                   | 48 |
| 50                | 19.9    | 23.8       | 20.8    | 52.9m x |    | 25.2    | 23.3    | 20.2    |         |                   | 50 |
| 52                | 51.2m x | 22.5       | 19.6    | 16.5t   |    | 23.3    | 21.9    | 19.0    |         |                   | 52 |
| 54                | 17.1t   | 21.3       | 18.5    | 16.0    |    | 19.7    | 20.8    | 17.9    | 57.1m x |                   | 54 |
| 56                |         | 55.6m x    | 17.6    | 15.1    |    | 16.0    | 19.7    | 16.9    | 13.9t   |                   | 56 |
| 58                |         | 20.4t      | 16.6    | 14.2    |    | 57.0m x | 18.6    | 16.0    | 13.6    |                   | 58 |
| 60                |         |            | 15.8    | 13.5    |    | 14.1t   | 17.7    | 15.2    | 12.8    |                   | 60 |
| 62                |         |            | 60.8m x | 12.8    |    |         | 61.4m x | 14.4    | 12.1    |                   | 62 |
| 64                |         |            | 15.5t   | 12.1    |    |         | 17.1t   | 13.6    | 11.4    |                   | 64 |
| 66                |         |            |         | 65.6m x |    |         |         | 13.0    | 10.8    |                   | 66 |
| 68                |         |            |         | 11.6t   |    |         |         | 66.6m x | 10.2    |                   | 68 |
| 70                |         |            |         |         |    |         |         | 12.8t   | 9.7     |                   | 70 |
| 72                |         |            |         |         |    |         |         |         | 71.4m x |                   | 72 |
| 74                |         |            |         |         |    |         |         |         | 9.3t    |                   | 74 |

| Boom Length (m)   |         | 30         |         |         |    | Boom Length (m)   |    |
|-------------------|---------|------------|---------|---------|----|-------------------|----|
| Jib Length (m)    |         | 60         |         |         |    | Jib Length (m)    |    |
| Boom Angle (deg.) |         | 88         | 80      | 70      | 60 | Boom Angle (deg.) |    |
| Radius (m)        |         | Radius (m) |         |         |    |                   |    |
| 20                | 22.6m x |            |         |         |    |                   | 20 |
| 22                | 40.7t   |            |         |         |    |                   | 22 |
| 24                | 38.8    |            |         |         |    |                   | 24 |
| 26                | 36.3    |            |         |         |    |                   | 26 |
| 28                | 34.1    |            |         |         |    |                   | 28 |
| 30                | 32.1    |            |         |         |    |                   | 30 |
| 32                | 30.2    |            |         |         |    |                   | 32 |
| 34                | 28.6    | 32.4       |         |         |    |                   | 34 |
| 36                | 27.0    | 30.5       |         |         |    |                   | 36 |
| 38                | 25.7    | 28.9       |         |         |    |                   | 38 |
| 40                | 24.4    | 27.4       |         |         |    |                   | 40 |
| 42                | 23.2    | 26.0       |         |         |    |                   | 42 |
| 44                | 22.1    | 24.7       |         |         |    |                   | 44 |
| 46                | 21.2    | 23.5       | 48.3m x |         |    |                   | 46 |
| 48                | 20.2    | 22.4       | 20.7t   |         |    |                   | 48 |
| 50                | 19.4    | 21.4       | 19.6    |         |    |                   | 50 |
| 52                | 18.6    | 20.5       | 18.5    |         |    |                   | 52 |
| 54                | 17.9    | 19.7       | 17.4    |         |    |                   | 54 |
| 56                | 17.3    | 18.9       | 16.4    |         |    |                   | 56 |
| 58                | 16.7    | 18.1       | 15.5    | 61.2m x |    |                   | 58 |
| 60                | 15.9    | 17.2       | 14.6    | 11.7t   |    |                   | 60 |
| 62                | 12.9    | 16.3       | 13.8    | 11.5    |    |                   | 62 |
| 64                | 62.8m x | 15.5       | 13.1    | 10.8    |    |                   | 64 |
| 66                | 11.6t   | 14.7       | 12.4    | 10.2    |    |                   | 66 |
| 68                |         | 67.2m x    | 11.7    | 9.6     |    |                   | 68 |
| 70                |         | 14.3t      | 11.1    | 9.0     |    |                   | 70 |
| 72                |         |            | 10.5    | 8.5     |    |                   | 72 |
| 74                |         |            | 72.4m x | 8.0     |    |                   | 74 |
| 76                |         |            | 10.4t   | 7.6     |    |                   | 76 |
| 78                |         |            |         | 77.2m x |    |                   | 78 |
| 80                |         |            |         | 7.3t    |    |                   | 80 |

\* For notes about the table above, refer to page 46.

■ Tower 36 m (Rear end Radius: Standard)



Unit: ton

| Boom Length (m)   | 36      |         |         |         |         |         |         |         | Boom Length (m)   |
|-------------------|---------|---------|---------|---------|---------|---------|---------|---------|-------------------|
| Jib Length (m)    | 24      |         |         |         | 30      |         |         |         | Jib Length (m)    |
| Boom Angle (deg.) | 88      | 80      | 70      | 60      | 88      | 80      | 70      | 60      | Boom Angle (deg.) |
| Radius (m)        |         |         |         |         |         |         |         |         | Radius (m)        |
| 10                | 12.7m x |         |         |         |         |         |         |         | 10                |
| 12                | 98.3t   |         |         |         | 14.4m x |         |         |         | 12                |
| 14                | 93.2    |         |         |         | 86.8t   |         |         |         | 14                |
| 16                | 86.1    |         |         |         | 81.8    |         |         |         | 16                |
| 18                | 79.9    | 20.4m x |         |         | 76.2    |         |         |         | 18                |
| 20                | 74.5    | 78.2t   |         |         | 71.2    | 22.9m x |         |         | 20                |
| 22                | 69.9    | 71.5    |         |         | 66.9    | 68.0t   |         |         | 22                |
| 24                | 64.7    | 64.4    |         |         | 63.3    | 64.3    |         |         | 24                |
| 26                | 50.8    | 58.5    |         |         | 59.7    | 58.4    |         |         | 26                |
| 28                | 37.4    | 53.2    | 30.3m x |         | 56.4    | 53.2    |         |         | 28                |
| 30                | 28.3m x | 48.6    | 42.4t   |         | 49.5    | 48.7    | 33.6m x |         | 30                |
| 32                | 35.2t   | 44.7    | 39.4    |         | 40.0    | 44.7    | 36.8t   |         | 32                |
| 34                |         | 33.4m x | 36.3    |         | 30.4    | 41.4    | 36.2    |         | 34                |
| 36                |         | 40.9t   | 33.7    | 39.2m x | 34.1m x | 38.4    | 33.6    |         | 36                |
| 38                |         |         | 31.3    | 26.0t   | 29.8t   | 35.8    | 31.2    |         | 38                |
| 40                |         |         | 39.6m x | 25.3    |         | 39.2m x | 29.1    | 43.4m x | 40                |
| 42                |         |         | 29.6t   | 23.7    |         | 34.3t   | 27.3    | 22.4t   | 42                |
| 44                |         |         |         | 22.1    |         |         | 25.6    | 22.0    | 44                |
| 46                |         |         |         | 45.4m x |         |         | 45.4m x | 20.6    | 46                |
| 48                |         |         |         | 21.2t   |         |         | 24.6t   | 19.4    | 48                |
| 50                |         |         |         |         |         |         |         | 18.3    | 50                |
| 52                |         |         |         |         |         |         |         | 51.2m x | 52                |
| 54                |         |         |         |         |         |         |         | 17.7t   | 54                |

Unit: ton

| Boom Length (m)   | 36      |         |         |         |         |         |         |         | Boom Length (m)   |
|-------------------|---------|---------|---------|---------|---------|---------|---------|---------|-------------------|
| Jib Length (m)    | 36      |         |         |         | 42      |         |         |         | Jib Length (m)    |
| Boom Angle (deg.) | 88      | 80      | 70      | 60      | 88      | 80      | 70      | 60      | Boom Angle (deg.) |
| Radius (m)        |         |         |         |         |         |         |         |         | Radius (m)        |
| 14                | 16.1m x |         |         |         | 17.8m x |         |         |         | 14                |
| 16                | 76.5t   |         |         |         | 67.8t   |         |         |         | 16                |
| 18                | 71.7    |         |         |         | 67.4    |         |         |         | 18                |
| 20                | 67.2    |         |         |         | 63.3    |         |         |         | 20                |
| 22                | 63.1    | 25.3m x |         |         | 59.5    |         |         |         | 22                |
| 24                | 59.5    | 59.6t   |         |         | 56.1    | 27.7m x |         |         | 24                |
| 26                | 56.4    | 57.7    |         |         | 53.1    | 52.7t   |         |         | 26                |
| 28                | 53.6    | 52.6    |         |         | 50.4    | 52.0    |         |         | 28                |
| 30                | 51.2    | 48.1    |         |         | 48.0    | 47.5    |         |         | 30                |
| 32                | 47.4    | 44.2    |         |         | 45.9    | 43.6    |         |         | 32                |
| 34                | 44.0    | 40.8    | 37.0m x |         | 43.5    | 40.2    |         |         | 34                |
| 36                | 38.8    | 37.8    | 31.7t   |         | 40.4    | 37.3    |         |         | 36                |
| 38                | 31.9    | 35.2    | 30.5    |         | 37.8    | 34.6    | 40.3m x |         | 38                |
| 40                | 39.9m x | 32.9    | 28.5    |         | 35.4    | 32.3    | 27.5t   |         | 40                |
| 42                | 25.0t   | 30.8    | 26.6    |         | 31.2    | 30.2    | 25.9    |         | 42                |
| 44                |         | 28.9    | 24.9    | 47.6m x | 25.8    | 28.4    | 24.3    |         | 44                |
| 46                |         | 45.0m x | 23.4    | 18.9t   | 45.6m x | 26.7    | 22.8    |         | 46                |
| 48                |         | 28.1t   | 22.1    | 18.7    | 21.3t   | 25.2    | 21.4    | 51.7m x | 48                |
| 50                |         |         | 20.8    | 17.6    |         | 23.8    | 20.2    | 16.0t   | 50                |
| 52                |         |         | 51.2m x | 16.6    |         | 50.8m x | 19.1    | 15.8    | 52                |
| 54                |         |         | 20.2t   | 15.6    |         | 23.2t   | 18.0    | 14.9    | 54                |
| 56                |         |         |         | 14.8    |         |         | 17.1    | 14.1    | 56                |
| 58                |         |         |         | 57.0m x |         |         | 57.0m x | 13.3    | 58                |
| 60                |         |         |         | 14.4t   |         |         | 16.6t   | 12.6    | 60                |
| 62                |         |         |         |         |         |         |         | 11.9    | 62                |
| 64                |         |         |         |         |         |         |         | 62.8m x | 64                |
| 66                |         |         |         |         |         |         |         | 11.7t   | 66                |

\* For notes about the table above, refer to page 46.

■ Tower 36 m (Rear end Radius: Standard)



Unit: ton

| Boom Length (m)   |            | 36 |         |         |         |         |         |         |         | Boom Length (m)   |            |  |
|-------------------|------------|----|---------|---------|---------|---------|---------|---------|---------|-------------------|------------|--|
| Jib Length (m)    |            | 48 |         |         |         | 54      |         |         |         | Jib Length (m)    |            |  |
| Boom Angle (deg.) | Radius (m) | 88 | 80      | 70      | 60      | 88      | 80      | 70      | 60      | Boom Angle (deg.) | Radius (m) |  |
| 16                | 19.5m x    |    |         |         |         |         |         |         |         | 16                |            |  |
| 18                | 60.6t      |    |         |         |         | 21.2m x |         |         |         | 18                |            |  |
| 20                | 59.7       |    |         |         |         | 52.7t   |         |         |         | 20                |            |  |
| 22                | 56.2       |    |         |         |         | 52.3    |         |         |         | 22                |            |  |
| 24                | 53.1       |    |         |         |         | 49.9    |         |         |         | 24                |            |  |
| 26                | 50.2       |    |         |         |         | 46.7    |         |         |         | 26                |            |  |
| 28                | 47.6       |    | 30.2m x |         |         | 43.9    |         |         |         | 28                |            |  |
| 30                | 45.3       |    | 46.4t   |         |         | 41.4    |         |         |         | 30                |            |  |
| 32                | 43.2       |    | 43.0    |         |         | 39.2    | 32.6m x |         |         | 32                |            |  |
| 34                | 41.3       |    | 39.6    |         |         | 37.1    | 41.4t   |         |         | 34                |            |  |
| 36                | 39.6       |    | 36.6    |         |         | 35.3    | 39.1    |         |         | 36                |            |  |
| 38                | 37.1       |    | 34.0    |         |         | 33.6    | 36.1    |         |         | 38                |            |  |
| 40                | 34.7       |    | 31.7    |         |         | 32.1    | 33.5    |         |         | 40                |            |  |
| 42                | 32.6       |    | 29.6    | 43.7m x |         | 30.7    | 31.2    |         |         | 42                |            |  |
| 44                | 30.6       |    | 27.8    | 23.8t   |         | 29.4    | 29.1    |         |         | 44                |            |  |
| 46                | 28.8       |    | 26.1    | 23.6    |         | 28.3    | 27.3    | 47.0m x |         | 46                |            |  |
| 48                | 25.4       |    | 24.6    | 22.1    |         | 26.7    | 25.6    | 20.8t   |         | 48                |            |  |
| 50                | 21.2       |    | 23.2    | 20.8    |         | 25.2    | 24.0    | 20.2    |         | 50                |            |  |
| 52                | 51.4m x    |    | 21.9    | 19.5    |         | 23.7    | 22.6    | 18.9    |         | 52                |            |  |
| 54                | 18.0t      |    | 20.7    | 18.4    | 55.9m x | 20.9    | 21.4    | 17.8    |         | 54                |            |  |
| 56                |            |    | 19.7    | 17.4    | 13.4t   | 17.4    | 20.2    | 16.8    |         | 56                |            |  |
| 58                |            |    | 56.6m x | 16.4    | 13.4    | 17.4    | 19.1    | 15.8    |         | 58                |            |  |
| 60                |            |    | 19.4t   | 15.5    | 12.6    | 57.2m x | 18.1    | 14.9    | 60.1m x | 60                |            |  |
| 62                |            |    |         | 14.7    | 11.9    | 15.2t   | 17.2    | 14.1    | 11.2t   | 62                |            |  |
| 64                |            |    |         | 14.0    | 11.2    |         |         | 16.3    | 13.3    | 10.5              | 64         |  |
| 66                |            |    |         | 62.8m x | 10.6    |         |         | 62.4m x | 12.6    | 9.9               | 66         |  |
| 68                |            |    |         | 13.7t   | 10.0    |         |         | 16.2t   | 12.0    | 9.3               | 68         |  |
| 70                |            |    |         |         | 9.5     |         |         |         | 11.4    | 8.8               | 70         |  |
| 72                |            |    |         |         | 68.6m x |         |         |         | 68.6m x | 8.3               | 72         |  |
| 74                |            |    |         |         | 9.4t    |         |         |         | 11.2t   | 7.8               | 74         |  |
| 76                |            |    |         |         |         |         |         |         |         | 7.4               | 76         |  |
| 78                |            |    |         |         |         |         |         |         |         | 74.4m x           | 78         |  |
|                   |            |    |         |         |         |         |         |         |         | 7.3t              |            |  |

Unit: ton

| Boom Length (m)   |            | 36 |         |         |         | Boom Length (m)   |            |
|-------------------|------------|----|---------|---------|---------|-------------------|------------|
| Jib Length (m)    |            | 60 |         |         |         | Jib Length (m)    |            |
| Boom Angle (deg.) | Radius (m) | 88 | 80      | 70      | 60      | Boom Angle (deg.) | Radius (m) |
| 20                | 22.9m x    |    |         |         |         | 20                |            |
| 22                | 40.5t      |    |         |         |         | 22                |            |
| 24                | 39.0       |    |         |         |         | 24                |            |
| 26                | 36.5       |    |         |         |         | 26                |            |
| 28                | 34.3       |    |         |         |         | 28                |            |
| 30                | 32.2       |    |         |         |         | 30                |            |
| 32                | 30.3       |    | 35.1m x |         |         | 32                |            |
| 34                | 28.7       |    | 32.2t   |         |         | 34                |            |
| 36                | 27.1       |    | 31.4    |         |         | 36                |            |
| 38                | 25.7       |    | 29.7    |         |         | 38                |            |
| 40                | 24.4       |    | 28.1    |         |         | 40                |            |
| 42                | 23.3       |    | 26.6    |         |         | 42                |            |
| 44                | 22.2       |    | 25.3    |         |         | 44                |            |
| 46                | 21.2       |    | 24.1    |         |         | 46                |            |
| 48                | 20.3       |    | 22.9    | 50.4m x |         | 48                |            |
| 50                | 19.4       |    | 21.9    | 18.1t   |         | 50                |            |
| 52                | 18.6       |    | 20.9    | 17.2    |         | 52                |            |
| 54                | 17.9       |    | 19.7    | 16.2    |         | 54                |            |
| 56                | 17.3       |    | 18.6    | 15.2    |         | 56                |            |
| 58                | 16.7       |    | 17.6    | 14.3    |         | 58                |            |
| 60                | 16.2       |    | 16.7    | 13.5    |         | 60                |            |
| 62                | 14.3       |    | 15.8    | 12.8    | 64.2m x | 62                |            |
| 64                | 63.0m x    |    | 15.0    | 12.0    | 9.2t    | 64                |            |
| 66                | 12.7t      |    | 14.2    | 11.4    | 8.7     | 66                |            |
| 68                |            |    | 13.5    | 10.8    | 8.2     | 68                |            |
| 70                |            |    | 68.2m x | 10.2    | 7.7     | 70                |            |
| 72                |            |    | 13.5t   | 9.6     | 7.2     | 72                |            |
| 74                |            |    |         | 9.1     | 6.7     | 74                |            |
| 76                |            |    |         | 74.4m x | 6.3     | 76                |            |
| 78                |            |    |         | 9.0t    | 5.8     | 78                |            |
| 80                |            |    |         |         | 5.5     | 80                |            |
| 82                |            |    |         |         | 80.2m x | 82                |            |
| 84                |            |    |         |         | 5.4t    | 84                |            |

\* For notes about the table above, refer to page 46.

■ Tower 42 m (Rear end Radius: Standard)



Unit: ton

| Boom Length (m)   | 42      |         |         |         |         |         |         |         | Boom Length (m)   |
|-------------------|---------|---------|---------|---------|---------|---------|---------|---------|-------------------|
| Jib Length (m)    | 24      |         |         |         | 30      |         |         |         | Jib Length (m)    |
| Boom Angle (deg.) | 88      | 80      | 70      | 60      | 88      | 80      | 70      | 60      | Boom Angle (deg.) |
| Radius (m)        |         |         |         |         |         |         |         |         | Radius (m)        |
| 10                | 12.9m x |         |         |         |         |         |         |         | 10                |
| 12                | 92.3t   |         |         |         | 14.6m x |         |         |         | 12                |
| 14                | 88.6    |         |         |         | 81.8t   |         |         |         | 14                |
| 16                | 82.3    |         |         |         | 78.0    |         |         |         | 16                |
| 18                | 76.9    | 21.5m x |         |         | 73.0    |         |         |         | 18                |
| 20                | 72.3    | 71.4t   |         |         | 68.5    | 23.9m x |         |         | 20                |
| 22                | 68.4    | 69.5    |         |         | 64.7    | 63.0t   |         |         | 22                |
| 24                | 65.3    | 62.6    |         |         | 61.3    | 62.7    |         |         | 24                |
| 26                | 52.7    | 56.9    |         |         | 58.5    | 57.0    |         |         | 26                |
| 28                | 39.3    | 52.0    |         |         | 56.0    | 52.1    |         |         | 28                |
| 30                | 28.5m x | 47.6    | 32.3m x |         | 51.1    | 47.8    |         |         | 30                |
| 32                | 35.6t   | 43.8    | 37.0t   |         | 41.5    | 44.0    | 35.7m x |         | 32                |
| 34                |         | 40.4    | 34.5    |         | 31.9    | 40.6    | 32.4t   |         | 34                |
| 36                |         | 34.5m x | 32.0    |         | 34.3m x | 37.7    | 32.0    |         | 36                |
| 38                |         | 39.6t   | 29.7    |         | 30.3t   | 35.1    | 29.8    |         | 38                |
| 40                |         |         | 27.7    | 42.2m x |         | 32.8    | 27.8    |         | 40                |
| 42                |         |         | 41.7m x | 21.4t   |         | 40.3m x | 26.0    |         | 42                |
| 44                |         |         | 26.1t   | 20.1    |         | 32.5t   | 24.4    | 46.4m x | 44                |
| 46                |         |         |         | 18.8    |         |         | 22.9    | 18.6t   | 46                |
| 48                |         |         |         | 17.7    |         |         | 47.5m x | 17.7    | 48                |
| 50                |         |         |         | 48.4m x |         |         | 21.9t   | 16.6    | 50                |
| 52                |         |         |         | 17.4t   |         |         |         | 15.7    | 52                |
| 54                |         |         |         |         |         |         |         | 14.8    | 54                |
| 56                |         |         |         |         |         |         |         | 54.2m x | 56                |
| 58                |         |         |         |         |         |         |         | 14.7t   | 58                |

Unit: ton

| Boom Length (m)   | 42      |         |         |         |         |         |         |         | Boom Length (m)   |
|-------------------|---------|---------|---------|---------|---------|---------|---------|---------|-------------------|
| Jib Length (m)    | 36      |         |         |         | 42      |         |         |         | Jib Length (m)    |
| Boom Angle (deg.) | 88      | 80      | 70      | 60      | 88      | 80      | 70      | 60      | Boom Angle (deg.) |
| Radius (m)        |         |         |         |         |         |         |         |         | Radius (m)        |
| 14                | 16.3m x |         |         |         |         |         |         |         | 14                |
| 16                | 72.3t   |         |         |         |         |         |         |         | 16                |
| 18                | 68.5    |         |         |         | 64.1    |         |         |         | 18                |
| 20                | 64.4    |         |         |         | 60.5    |         |         |         | 20                |
| 22                | 60.7    |         |         |         | 57.1    |         |         |         | 22                |
| 24                | 57.4    | 26.3m x |         |         | 54.0    |         |         |         | 24                |
| 26                | 54.6    | 55.2t   |         |         | 51.2    | 28.8m x |         |         | 26                |
| 28                | 52.1    | 51.1    |         |         | 48.8    | 48.7t   |         |         | 28                |
| 30                | 49.9    | 46.9    |         |         | 46.6    | 46.2    |         |         | 30                |
| 32                | 46.9    | 43.2    |         |         | 44.6    | 42.6    |         |         | 32                |
| 34                | 43.5    | 39.9    |         |         | 42.9    | 39.3    |         |         | 34                |
| 36                | 40.0    | 37.0    | 39.0m x |         | 40.0    | 36.4    |         |         | 36                |
| 38                | 33.0    | 34.4    | 27.8t   |         | 37.3    | 33.8    |         |         | 38                |
| 40                | 25.7    | 32.1    | 26.9    |         | 35.0    | 31.5    | 42.4m x |         | 40                |
| 42                | 40.1m x | 30.1    | 25.1    |         | 32.1    | 29.5    | 24.1t   |         | 42                |
| 44                | 25.3t   | 28.2    | 23.5    |         | 26.7    | 27.7    | 22.8    |         | 44                |
| 46                |         | 26.6    | 22.1    |         | 45.9m x | 26.0    | 21.4    |         | 46                |
| 48                |         | 46.1m x | 20.7    | 50.6m x | 21.3t   | 24.5    | 20.1    |         | 48                |
| 50                |         | 26.5t   | 19.6    | 15.4t   |         | 23.1    | 18.9    |         | 50                |
| 52                |         |         | 18.5    | 14.8    |         | 51.9m x | 17.8    | 54.7m x | 52                |
| 54                |         |         | 53.3m x | 13.9    |         | 21.9t   | 16.8    | 12.9t   | 54                |
| 56                |         |         | 17.8t   | 13.1    |         |         | 15.9    | 12.4    | 56                |
| 58                |         |         |         | 12.4    |         |         | 15.0    | 11.7    | 58                |
| 60                |         |         |         | 11.7    |         |         | 59.1m x | 11.0    | 60                |
| 62                |         |         |         |         |         |         | 14.6t   | 10.4    | 62                |
| 64                |         |         |         |         |         |         |         | 9.8     | 64                |
| 66                |         |         |         |         |         |         |         | 65.8m x | 66                |
| 68                |         |         |         |         |         |         |         | 9.3t    | 68                |

\* For notes about the table above, refer to page 46.



■ Tower 42 m (Rear end Radius: Standard)



Unit: ton

| Boom Length (m)   | 42      |         |         |         |         |         |         |         | Boom Length (m)   |
|-------------------|---------|---------|---------|---------|---------|---------|---------|---------|-------------------|
| Jib Length (m)    | 48      |         |         |         | 54      |         |         |         | Jib Length (m)    |
| Boom Angle (deg.) | 88      | 80      | 70      | 60      | 88      | 80      | 70      | 60      | Boom Angle (deg.) |
| Radius (m)        |         |         |         |         |         |         |         |         | Radius (m)        |
| 16                | 19.7m x |         |         |         |         |         |         |         | 16                |
| 18                | 54.9t   |         |         |         | 21.4m x |         |         |         | 18                |
| 20                | 54.8    |         |         |         | 46.8t   |         |         |         | 20                |
| 22                | 53.6    |         |         |         | 46.5    |         |         |         | 22                |
| 24                | 50.9    |         |         |         | 45.6    |         |         |         | 24                |
| 26                | 48.3    |         |         |         | 44.7    |         |         |         | 26                |
| 28                | 45.9    | 31.2m x |         |         | 43.0    |         |         |         | 28                |
| 30                | 43.8    | 43.6t   |         |         | 41.0    | 33.7m x |         |         | 30                |
| 32                | 41.9    | 42.2    |         |         | 39.2    | 38.5t   |         |         | 32                |
| 34                | 40.2    | 38.9    |         |         | 37.3    | 38.1    |         |         | 34                |
| 36                | 38.6    | 36.0    |         |         | 35.4    | 35.2    |         |         | 36                |
| 38                | 37.0    | 33.5    |         |         | 33.7    | 32.7    |         |         | 38                |
| 40                | 34.6    | 31.2    |         |         | 32.2    | 30.4    |         |         | 40                |
| 42                | 32.5    | 29.1    | 45.7m x |         | 30.7    | 28.4    |         |         | 42                |
| 44                | 30.5    | 27.3    | 21.1t   |         | 29.5    | 26.5    |         |         | 44                |
| 46                | 28.7    | 25.6    | 20.9    |         | 27.9    | 24.9    | 49.1m x |         | 46                |
| 48                | 26.3    | 24.1    | 19.6    |         | 26.3    | 23.4    | 18.1t   |         | 48                |
| 50                | 22.0    | 22.7    | 18.4    |         | 24.9    | 22.0    | 17.6    |         | 50                |
| 52                | 51.7m x | 21.5    | 17.4    |         | 23.5    | 20.7    | 16.5    |         | 52                |
| 54                | 18.2t   | 20.3    | 16.4    |         | 21.5    | 19.6    | 15.5    |         | 54                |
| 56                |         | 19.3    | 15.4    | 58.9m x | 18.0    | 18.5    | 14.6    |         | 56                |
| 58                |         | 57.7m x | 14.6    | 10.8t   | 57.4m x | 17.5    | 13.8    |         | 58                |
| 60                |         | 18.4t   | 13.8    | 10.5    | 15.4t   | 16.6    | 13.0    | 63.1m x | 60                |
| 62                |         |         | 13.1    | 9.8     |         | 15.8    | 12.3    | 8.5t    | 62                |
| 64                |         |         | 12.4    | 9.2     |         | 63.5m x | 11.6    | 8.2     | 64                |
| 66                |         |         | 64.9m x | 8.7     |         | 15.2t   | 10.9    | 7.7     | 66                |
| 68                |         |         | 12.1t   | 8.2     |         |         | 10.4    | 7.1     | 68                |
| 70                |         |         |         | 7.7     |         |         | 9.8     | 6.7     | 70                |
| 72                |         |         |         | 71.6m x |         |         | 70.7m x | 6.2     | 72                |
| 74                |         |         |         | 7.3t    |         |         | 9.6t    | 5.8     | 74                |
| 76                |         |         |         |         |         |         |         | 5.4     | 76                |
| 78                |         |         |         |         |         |         |         | 77.4m x | 78                |
| 80                |         |         |         |         |         |         |         | 5.2t    | 80                |

Unit: ton

| Boom Length (m)   | 42      |         |         | Boom Length (m)   |
|-------------------|---------|---------|---------|-------------------|
| Jib Length (m)    | 60      |         |         | Jib Length (m)    |
| Boom Angle (deg.) | 88      | 80      | 70      | Boom Angle (deg.) |
| Radius (m)        |         |         |         | Radius (m)        |
| 20                | 23.1m x |         |         | 20                |
| 22                | 39.7t   |         |         | 22                |
| 24                | 39.2    |         |         | 24                |
| 26                | 36.7    |         |         | 26                |
| 28                | 34.4    |         |         | 28                |
| 30                | 32.3    |         |         | 30                |
| 32                | 30.5    |         |         | 32                |
| 34                | 28.8    | 36.1m x |         | 34                |
| 36                | 27.2    | 32.2t   |         | 36                |
| 38                | 25.8    | 30.5    |         | 38                |
| 40                | 24.5    | 28.8    |         | 40                |
| 42                | 23.3    | 27.3    |         | 42                |
| 44                | 22.2    | 25.9    |         | 44                |
| 46                | 21.2    | 24.4    |         | 46                |
| 48                | 20.3    | 22.9    |         | 48                |
| 50                | 19.4    | 21.5    | 52.4m x | 50                |
| 52                | 18.7    | 20.3    | 15.7t   | 52                |
| 54                | 17.9    | 19.1    | 15.0    | 54                |
| 56                | 17.3    | 18.0    | 14.0    | 56                |
| 58                | 16.7    | 17.0    | 13.2    | 58                |
| 60                | 16.1    | 16.1    | 12.4    | 60                |
| 62                | 14.8    | 15.3    | 11.6    | 62                |
| 64                | 63.2m x | 14.5    | 10.9    | 64                |
| 66                | 13.0t   | 13.7    | 10.3    | 66                |
| 68                |         | 13.0    | 9.7     | 68                |
| 70                |         | 69.2m x | 9.1     | 70                |
| 72                |         | 12.6t   | 8.6     | 72                |
| 74                |         |         | 8.1     | 74                |
| 76                |         |         | 7.6     | 76                |
| 78                |         |         | 76.5m x | 78                |
| 80                |         |         | 7.5t    | 80                |

\* For notes about the table above, refer to page 46.

■ Tower 48 m (Rear end Radius: Standard)



Unit: ton

| Boom Length (m)   | 48      |         |         |         |         |         |         |         | Boom Length (m)   |
|-------------------|---------|---------|---------|---------|---------|---------|---------|---------|-------------------|
| Jib Length (m)    | 24      |         |         |         | 30      |         |         |         | Jib Length (m)    |
| Boom Angle (deg.) | 88      | 80      | 70      | 60      | 88      | 80      | 70      | 60      | Boom Angle (deg.) |
| Radius (m)        |         |         |         |         |         |         |         |         | Radius (m)        |
| 10                | 13.2m x |         |         |         |         |         |         |         | 10                |
| 12                | 83.7t   |         |         |         | 14.9m x |         |         |         | 12                |
| 14                | 81.5    |         |         |         | 74.6t   |         |         |         | 14                |
| 16                | 76.1    |         |         |         | 72.0    |         |         |         | 16                |
| 18                | 71.3    |         |         |         | 67.7    |         |         |         | 18                |
| 20                | 67.2    | 22.5m x |         |         | 63.7    |         |         |         | 20                |
| 22                | 63.8    | 65.8t   |         |         | 60.2    | 24.9m x |         |         | 22                |
| 24                | 60.9    | 60.9    |         |         | 57.2    | 58.1t   |         |         | 24                |
| 26                | 54.4    | 55.3    |         |         | 54.7    | 55.1    |         |         | 26                |
| 28                | 41.1    | 50.5    |         |         | 52.5    | 50.4    |         |         | 28                |
| 30                | 28.7m x | 46.4    |         |         | 50.6    | 46.3    |         |         | 30                |
| 32                | 36.0t   | 42.8    | 34.4m x |         | 42.7    | 42.8    |         |         | 32                |
| 34                |         | 39.6    | 32.1t   |         | 33.2    | 39.7    | 37.7m x |         | 34                |
| 36                |         | 35.5m x | 30.3    |         | 34.5m x | 36.8    | 28.2t   |         | 36                |
| 38                |         | 37.4t   | 28.1    |         | 30.6t   | 34.3    | 27.9    |         | 38                |
| 40                |         |         | 26.1    |         |         | 32.0    | 26.0    |         | 40                |
| 42                |         |         | 24.4    | 45.2m x |         | 41.3m x | 24.3    |         | 42                |
| 44                |         |         | 43.8m x | 17.3t   |         | 30.7t   | 22.8    |         | 44                |
| 46                |         |         | 23.0t   | 16.8    |         |         | 21.4    | 49.4m x | 46                |
| 48                |         |         |         | 15.7    |         |         | 20.1    | 14.8t   | 48                |
| 50                |         |         |         | 14.7    |         |         | 49.5m x | 14.5    | 50                |
| 52                |         |         |         | 51.4m x |         |         | 19.2t   | 13.7    | 52                |
| 54                |         |         |         | 14.1t   |         |         |         | 12.9    | 54                |
| 56                |         |         |         |         |         |         |         | 12.1    | 56                |
| 58                |         |         |         |         |         |         |         | 57.2m x | 58                |
| 60                |         |         |         |         |         |         |         | 11.7t   | 60                |

Unit: ton

| Boom Length (m)   | 48      |         |         |         |         |         |         |         | Boom Length (m)   |
|-------------------|---------|---------|---------|---------|---------|---------|---------|---------|-------------------|
| Jib Length (m)    | 36      |         |         |         | 42      |         |         |         | Jib Length (m)    |
| Boom Angle (deg.) | 88      | 80      | 70      | 60      | 88      | 80      | 70      | 60      | Boom Angle (deg.) |
| Radius (m)        |         |         |         |         |         |         |         |         | Radius (m)        |
| 14                | 16.6m x |         |         |         |         |         |         |         | 14                |
| 16                | 64.5t   |         |         |         | 18.3m x |         |         |         | 16                |
| 18                | 63.3    |         |         |         | 55.2t   |         |         |         | 18                |
| 20                | 59.7    |         |         |         | 54.1    |         |         |         | 20                |
| 22                | 56.4    |         |         |         | 52.8    |         |         |         | 22                |
| 24                | 53.5    | 27.4m x |         |         | 50.1    |         |         |         | 24                |
| 26                | 51.0    | 51.0t   |         |         | 47.6    | 29.8m x |         |         | 26                |
| 28                | 48.7    | 49.7    |         |         | 45.4    | 45.3t   |         |         | 28                |
| 30                | 46.7    | 45.6    |         |         | 43.5    | 44.9    |         |         | 30                |
| 32                | 45.0    | 42.1    |         |         | 41.7    | 41.4    |         |         | 32                |
| 34                | 43.4    | 39.0    |         |         | 40.2    | 38.4    |         |         | 34                |
| 36                | 40.4    | 36.2    |         |         | 38.8    | 35.6    |         |         | 36                |
| 38                | 34.0    | 33.7    | 41.1m x |         | 37.2    | 33.2    |         |         | 38                |
| 40                | 26.8    | 31.5    | 24.4t   |         | 34.9    | 30.9    |         |         | 40                |
| 42                | 40.3m x | 29.4    | 23.6    |         | 32.7    | 28.9    | 44.4m x |         | 42                |
| 44                | 25.6t   | 27.6    | 22.1    |         | 27.6    | 27.1    | 21.1t   |         | 44                |
| 46                |         | 26.0    | 20.7    |         | 21.9    | 25.5    | 20.0    |         | 46                |
| 48                |         | 47.1m x | 19.5    |         | 46.1m x | 24.0    | 18.8    |         | 48                |
| 50                |         | 25.2t   | 18.3    | 53.6m x | 21.6t   | 22.6    | 17.7    |         | 50                |
| 52                |         |         | 17.3    | 12.1t   |         | 21.4    | 16.6    |         | 52                |
| 54                |         |         | 16.3    | 12.0    |         | 52.9m x | 15.7    | 57.7m x | 54                |
| 56                |         |         | 55.3m x | 11.3    |         | 20.9t   | 14.8    | 9.9t    | 56                |
| 58                |         |         | 15.7t   | 10.6    |         |         | 14.0    | 9.8     | 58                |
| 60                |         |         |         | 10.0    |         |         | 13.2    | 9.1     | 60                |
| 62                |         |         |         | 9.4     |         |         | 61.1m x | 8.6     | 62                |
| 64                |         |         |         | 63.0m x |         |         | 12.8t   | 8.0     | 64                |
| 66                |         |         |         | 9.1t    |         |         |         | 7.5     | 66                |
| 68                |         |         |         |         |         |         |         | 7.0     | 68                |
| 70                |         |         |         |         |         |         |         | 68.8m x | 70                |
| 72                |         |         |         |         |         |         |         | 6.9t    | 72                |

\* For notes about the table above, refer to page 46.

■ Tower 48 m (Rear end Radius: Standard)



|                   |         |         |         |         |         |         |         | Unit: ton         |
|-------------------|---------|---------|---------|---------|---------|---------|---------|-------------------|
| Boom Length (m)   | 48      |         |         |         |         |         |         | Boom Length (m)   |
| Jib Length (m)    | 48      |         |         |         | 54      |         |         | Jib Length (m)    |
| Boom Angle (deg.) | 88      | 80      | 70      | 60      | 88      | 80      | 70      | Boom Angle (deg.) |
| Radius (m)        |         |         |         |         |         |         |         | Radius (m)        |
| 18                |         |         |         |         | 21.7m x |         |         | 18                |
| 20                | 47.7    |         |         |         | 41.0t   |         |         | 20                |
| 22                | 46.6    |         |         |         | 40.9    |         |         | 22                |
| 24                | 45.6    |         |         |         | 40.1    |         |         | 24                |
| 26                | 44.6    |         |         |         | 39.3    |         |         | 26                |
| 28                | 42.6    |         |         |         | 38.5    |         |         | 28                |
| 30                | 40.7    | 32.3m x |         |         | 37.7    |         |         | 30                |
| 32                | 39.0    | 40.2t   |         |         | 36.3    | 34.7m x |         | 32                |
| 34                | 37.4    | 37.6    |         |         | 34.8    | 36.0t   |         | 34                |
| 36                | 36.0    | 34.9    |         |         | 33.4    | 34.3    |         | 36                |
| 38                | 34.8    | 32.5    |         |         | 32.2    | 31.9    |         | 38                |
| 40                | 33.6    | 30.3    |         |         | 31.1    | 29.7    |         | 40                |
| 42                | 32.1    | 28.3    |         |         | 30.0    | 27.8    |         | 42                |
| 44                | 30.2    | 26.5    | 47.8m x |         | 29.1    | 26.0    |         | 44                |
| 46                | 28.4    | 24.9    | 18.1t   |         | 27.9    | 24.4    |         | 46                |
| 48                | 26.8    | 23.4    | 18.0    |         | 26.3    | 22.9    | 51.1m x | 48                |
| 50                | 22.7    | 22.1    | 16.9    |         | 24.8    | 21.6    | 15.6t   | 50                |
| 52                | 51.9m x | 20.8    | 15.8    |         | 23.5    | 20.3    | 15.2    | 52                |
| 54                | 18.3t   | 19.7    | 14.9    |         | 22.2    | 19.2    | 14.2    | 54                |
| 56                |         | 18.6    | 14.0    |         | 18.7    | 18.1    | 13.4    | 56                |
| 58                |         | 17.7    | 13.2    | 61.9m x | 57.7m x | 17.2    | 12.5    | 58                |
| 60                |         | 58.7m x | 12.5    | 7.7t    | 15.5t   | 16.3    | 11.8    | 60                |
| 62                |         | 17.4t   | 11.8    | 7.7     |         | 15.4    | 11.1    | 62                |
| 64                |         |         | 11.1    | 7.2     |         | 14.6    | 10.4    | 64                |
| 66                |         |         | 10.5    | 6.7     |         | 64.5m x | 9.8     | 66                |
| 68                |         |         | 66.9m x | 6.2     |         | 14.5t   | 9.2     | 68                |
| 70                |         |         | 10.3t   | 5.8     |         |         | 8.7     | 70                |
| 72                |         |         |         | 5.4     |         |         | 8.2     | 72                |
| 74                |         |         |         | 5.0     |         |         | 72.7m x | 74                |
| 76                |         |         |         | 74.2m x |         |         | 8.0t    | 76                |
| 78                |         |         |         | 5.0t    |         |         |         | 78                |

|                   |         |         |         |                   | Unit: ton |
|-------------------|---------|---------|---------|-------------------|-----------|
| Boom Length (m)   | 48      |         |         | Boom Length (m)   |           |
| Jib Length (m)    | 60      |         |         | Jib Length (m)    |           |
| Boom Angle (deg.) | 88      | 80      | 70      | Boom Angle (deg.) |           |
| Radius (m)        |         |         |         | Radius (m)        |           |
| 20                | 23.4m x |         |         | 20                |           |
| 22                | 35.6t   |         |         | 22                |           |
| 24                | 35.4    |         |         | 24                |           |
| 26                | 34.7    |         |         | 26                |           |
| 28                | 34.1    |         |         | 28                |           |
| 30                | 32.5    |         |         | 30                |           |
| 32                | 30.6    |         |         | 32                |           |
| 34                | 28.9    | 37.1m x |         | 34                |           |
| 36                | 27.3    | 32.0t   |         | 36                |           |
| 38                | 25.9    | 30.9    |         | 38                |           |
| 40                | 24.6    | 28.8    |         | 40                |           |
| 42                | 23.4    | 26.8    |         | 42                |           |
| 44                | 22.3    | 25.1    |         | 44                |           |
| 46                | 21.3    | 23.5    |         | 46                |           |
| 48                | 20.3    | 22.1    |         | 48                |           |
| 50                | 19.5    | 20.7    |         | 50                |           |
| 52                | 18.7    | 19.5    | 54.5m x | 52                |           |
| 54                | 17.9    | 18.4    | 13.0t   | 54                |           |
| 56                | 17.3    | 17.3    | 12.4    | 56                |           |
| 58                | 16.7    | 16.3    | 11.6    | 58                |           |
| 60                | 16.1    | 15.4    | 10.8    | 60                |           |
| 62                | 15.3    | 14.6    | 10.1    | 62                |           |
| 64                | 63.5m x | 13.8    | 9.5     | 64                |           |
| 66                | 13.0t   | 13.1    | 8.9     | 66                |           |
| 68                |         | 12.4    | 8.3     | 68                |           |
| 70                |         | 11.7    | 7.8     | 70                |           |
| 72                |         | 70.3m x | 7.3     | 72                |           |
| 74                |         | 11.7t   | 6.8     | 74                |           |
| 76                |         |         | 6.3     | 76                |           |
| 78                |         |         | 5.9     | 78                |           |
| 80                |         |         | 78.5m x | 80                |           |
| 82                |         |         | 5.8t    | 82                |           |

\* For notes about the table above, refer to page 46.

■ Tower 54 m (Rear end Radius: Standard)



Unit: ton

| Boom Length (m)   | 54      |         |         |         |         |         |         |         | Boom Length (m)   |
|-------------------|---------|---------|---------|---------|---------|---------|---------|---------|-------------------|
| Jib Length (m)    | 24      |         |         |         | 30      |         |         |         | Jib Length (m)    |
| Boom Angle (deg.) | 88      | 80      | 70      | 60      | 88      | 80      | 70      | 60      | Boom Angle (deg.) |
| Radius (m)        |         |         |         |         |         |         |         |         | Radius (m)        |
| 10                | 13.4m x |         |         |         |         |         |         |         | 10                |
| 12                | 72.4t   |         |         |         | 15.1m x |         |         |         | 12                |
| 14                | 71.6    |         |         |         | 62.8t   |         |         |         | 14                |
| 16                | 68.4    |         |         |         | 61.9    |         |         |         | 16                |
| 18                | 64.1    |         |         |         | 60.0    |         |         |         | 18                |
| 20                | 60.5    | 23.5m x |         |         | 57.4    |         |         |         | 20                |
| 22                | 57.4    | 60.7t   |         |         | 54.3    |         |         |         | 22                |
| 24                | 54.7    | 59.2    |         |         | 51.7    |         |         |         | 24                |
| 26                | 52.6    | 53.7    |         |         | 49.3    | 53.5    |         |         | 26                |
| 28                | 42.7    | 49.1    |         |         | 47.3    | 48.9    |         |         | 28                |
| 30                | 28.9m x | 45.1    |         |         | 45.6    | 44.9    |         |         | 30                |
| 32                | 36.3t   | 41.6    |         |         | 43.9    | 41.5    |         |         | 32                |
| 34                |         | 38.5    | 36.4m x |         | 34.4    | 38.5    |         |         | 34                |
| 36                |         | 35.8    | 27.6t   |         | 34.7m x | 35.8    | 39.8m x |         | 36                |
| 38                |         | 36.6m x | 26.1    |         | 30.8t   | 33.4    | 24.2t   |         | 38                |
| 40                |         | 35.0t   | 24.3    |         |         | 31.3    | 24.1    |         | 40                |
| 42                |         |         | 22.7    |         |         | 29.3    | 22.5    |         | 42                |
| 44                |         |         | 21.3    |         |         | 42.4m x | 21.1    |         | 44                |
| 46                |         |         | 45.8m x | 48.2m x |         | 28.9t   | 19.8    |         | 46                |
| 48                |         |         | 20.0t   | 13.2t   |         |         | 18.6    |         | 48                |
| 50                |         |         |         | 12.4    |         |         | 17.6    | 52.4m x | 50                |
| 52                |         |         |         | 11.6    |         |         | 51.6m x | 11.2t   | 52                |
| 54                |         |         |         | 10.9    |         |         | 16.8t   | 10.6    | 54                |
| 56                |         |         |         | 54.4m x |         |         |         | 10.0    | 56                |
| 58                |         |         |         | 10.7t   |         |         |         | 9.4     | 58                |
| 60                |         |         |         |         |         |         |         | 8.8     | 60                |
| 62                |         |         |         |         |         |         |         | 60.2m x | 62                |
| 64                |         |         |         |         |         |         |         | 8.7t    | 64                |

Unit: ton

| Boom Length (m)   | 54      |         |         |         |         |         |         |         | Boom Length (m)   |
|-------------------|---------|---------|---------|---------|---------|---------|---------|---------|-------------------|
| Jib Length (m)    | 36      |         |         |         | 42      |         |         |         | Jib Length (m)    |
| Boom Angle (deg.) | 88      | 80      | 70      | 60      | 88      | 80      | 70      | 60      | Boom Angle (deg.) |
| Radius (m)        |         |         |         |         |         |         |         |         | Radius (m)        |
| 14                | 16.8m x |         |         |         |         |         |         |         | 14                |
| 16                | 54.4t   |         |         |         | 18.5m x |         |         |         | 16                |
| 18                | 53.5    |         |         |         | 47.2t   |         |         |         | 18                |
| 20                | 52.0    |         |         |         | 46.3    |         |         |         | 20                |
| 22                | 50.6    |         |         |         | 45.1    |         |         |         | 22                |
| 24                | 48.2    |         |         |         | 44.0    |         |         |         | 24                |
| 26                | 45.9    | 28.4m x |         |         | 42.8    |         |         |         | 26                |
| 28                | 43.9    | 47.4t   |         |         | 40.8    | 30.9m x |         |         | 28                |
| 30                | 42.1    | 44.3    |         |         | 39.1    | 41.7t   |         |         | 30                |
| 32                | 40.5    | 40.8    |         |         | 37.5    | 39.8    |         |         | 32                |
| 34                | 39.1    | 37.8    |         |         | 36.0    | 36.8    |         |         | 34                |
| 36                | 37.9    | 35.2    |         |         | 34.8    | 34.2    |         |         | 36                |
| 38                | 34.9    | 32.8    |         |         | 33.6    | 31.9    |         |         | 38                |
| 40                | 27.8    | 30.7    | 43.1m x |         | 32.7    | 29.8    |         |         | 40                |
| 42                | 40.5m x | 28.8    | 20.9t   |         | 31.9    | 27.9    |         |         | 42                |
| 44                | 25.8t   | 27.0    | 20.3    |         | 28.2    | 26.1    | 46.5m x |         | 44                |
| 46                |         | 25.4    | 19.0    |         | 22.7    | 24.6    | 17.7t   |         | 46                |
| 48                |         | 23.9    | 17.9    |         | 46.3m x | 23.1    | 16.8    |         | 48                |
| 50                |         | 48.1m x | 16.8    |         | 21.7t   | 21.8    | 15.8    |         | 50                |
| 52                |         | 23.9t   | 15.8    |         |         | 20.6    | 14.8    |         | 52                |
| 54                |         |         | 14.9    | 56.6m x |         | 53.9m x | 13.9    |         | 54                |
| 56                |         |         | 14.1    | 8.9t    |         | 19.6t   | 13.1    |         | 56                |
| 58                |         |         | 57.4m x | 8.5     |         |         | 12.3    | 60.7m x | 58                |
| 60                |         |         | 13.5t   | 8.0     |         |         | 11.6    | 6.7t    | 60                |
| 62                |         |         |         | 7.4     |         |         | 11.0    | 6.4     | 62                |
| 64                |         |         |         | 7.0     |         |         | 63.2m x | 5.9     | 64                |
| 66                |         |         |         | 6.5     |         |         | 10.6t   | 5.4     | 66                |
| 68                |         |         |         |         |         |         |         | 5.0     | 68                |
| 70                |         |         |         |         |         |         |         | 68.2m x | 70                |
| 72                |         |         |         |         |         |         |         | 5.0t    | 72                |

\* For notes about the table above, refer to page 46.

■ Tower 54 m (Rear end Radius: Standard)



Unit: ton

| Boom Length (m)   | 54      |         |         |         |         |         | Boom Length (m)   |
|-------------------|---------|---------|---------|---------|---------|---------|-------------------|
| Jib Length (m)    | 48      |         |         | 54      |         |         | Jib Length (m)    |
| Boom Angle (deg.) | 88      | 80      | 70      | 88      | 80      | 70      | Boom Angle (deg.) |
| Radius (m)        |         |         |         |         |         |         | Radius (m)        |
| 18                | 20.3m x |         |         |         |         |         | 18                |
| 20                | 40.9t   |         |         |         |         |         | 20                |
| 22                | 40.2    |         |         | 35.9    |         |         | 22                |
| 24                | 39.3    |         |         | 35.1    |         |         | 24                |
| 26                | 38.4    |         |         | 34.4    |         |         | 26                |
| 28                | 37.5    |         |         | 33.7    |         |         | 28                |
| 30                | 36.4    | 33.3m x |         | 33.0    |         |         | 30                |
| 32                | 34.9    | 37.0t   |         | 32.3    | 35.7m x |         | 32                |
| 34                | 33.5    | 36.4    |         | 31.0    | 32.4t   |         | 34                |
| 36                | 32.2    | 33.8    |         | 29.8    | 32.2    |         | 36                |
| 38                | 31.1    | 31.5    |         | 28.6    | 30.5    |         | 38                |
| 40                | 30.1    | 29.4    |         | 27.6    | 28.4    |         | 40                |
| 42                | 29.2    | 27.5    |         | 26.7    | 26.5    |         | 42                |
| 44                | 28.4    | 25.8    |         | 25.8    | 24.8    |         | 44                |
| 46                | 27.7    | 24.2    | 49.8m x | 25.1    | 23.3    |         | 46                |
| 48                | 26.8    | 22.8    | 15.4t   | 24.4    | 21.9    |         | 48                |
| 50                | 23.3    | 21.5    | 15.3    | 23.8    | 20.6    | 53.2m x | 50                |
| 52                | 18.8    | 20.3    | 14.3    | 23.2    | 19.4    | 12.8t   | 52                |
| 54                | 52.1m x | 19.1    | 13.4    | 22.0    | 18.3    | 12.4    | 54                |
| 56                | 18.5t   | 18.1    | 12.6    | 19.2    | 17.2    | 11.6    | 56                |
| 58                |         | 17.2    | 11.9    | 57.9m x | 16.3    | 10.9    | 58                |
| 60                |         | 59.7m x | 11.2    | 15.6t   | 15.4    | 10.2    | 60                |
| 62                |         | 16.4t   | 10.5    |         | 14.6    | 9.5     | 62                |
| 64                |         |         | 9.9     |         | 13.8    | 8.9     | 64                |
| 66                |         |         | 9.3     |         | 65.5m x | 8.3     | 66                |
| 68                |         |         | 8.7     |         | 13.3t   | 7.8     | 68                |
| 70                |         |         | 69.0m x |         |         | 7.3     | 70                |
| 72                |         |         | 8.5t    |         |         | 6.8     | 72                |
| 74                |         |         |         |         |         | 6.4     | 74                |
| 76                |         |         |         |         |         | 74.8m x | 76                |
| 78                |         |         |         |         |         | 6.2t    | 78                |

Unit: ton

| Boom Length (m)   | 54      |         |         | Boom Length (m)   |
|-------------------|---------|---------|---------|-------------------|
| Jib Length (m)    | 60      |         |         | Jib Length (m)    |
| Boom Angle (deg.) | 88      | 80      | 70      | Boom Angle (deg.) |
| Radius (m)        |         |         |         | Radius (m)        |
| 20                | 23.7m x |         |         | 20                |
| 22                | 31.0t   |         |         | 22                |
| 24                | 31.0    |         |         | 24                |
| 26                | 30.6    |         |         | 26                |
| 28                | 30.0    |         |         | 28                |
| 30                | 29.4    |         |         | 30                |
| 32                | 28.9    |         |         | 32                |
| 34                | 28.3    |         |         | 34                |
| 36                | 26.9    | 38.2m x |         | 36                |
| 38                | 25.5    | 28.1t   |         | 38                |
| 40                | 24.3    | 27.1    |         | 40                |
| 42                | 23.1    | 26.0    |         | 42                |
| 44                | 22.0    | 24.3    |         | 44                |
| 46                | 21.1    | 22.8    |         | 46                |
| 48                | 20.2    | 21.4    |         | 48                |
| 50                | 19.3    | 20.0    |         | 50                |
| 52                | 18.5    | 18.9    |         | 52                |
| 54                | 17.8    | 17.7    | 56.5m x | 54                |
| 56                | 17.2    | 16.7    | 10.8t   | 56                |
| 58                | 16.6    | 15.8    | 10.2    | 58                |
| 60                | 16.0    | 14.9    | 9.5     | 60                |
| 62                | 15.5    | 14.0    | 8.9     | 62                |
| 64                | 63.4m x | 13.3    | 8.3     | 64                |
| 66                | 13.3t   | 12.5    | 7.7     | 66                |
| 68                |         | 11.9    | 7.2     | 68                |
| 70                |         | 11.2    | 6.7     | 70                |
| 72                |         | 71.1m x | 6.2     | 72                |
| 74                |         | 10.9t   | 5.7     | 74                |
| 76                |         |         | 5.3     | 76                |
| 78                |         |         | 77.5m x | 78                |
| 80                |         |         | 5.0t    | 80                |

\* For notes about the table above, refer to page 46.

■ Tower 60 m (Rear end Radius: Standard)



Unit: ton

| Boom Length (m)   | 60      |         |         |         |         |         |         |         | Boom Length (m)   |
|-------------------|---------|---------|---------|---------|---------|---------|---------|---------|-------------------|
| Jib Length (m)    | 30      |         |         |         | 36      |         |         |         | Jib Length (m)    |
| Boom Angle (deg.) | 88      | 80      | 70      | 60      | 88      | 80      | 70      | 60      | Boom Angle (deg.) |
| Radius (m)        |         |         |         |         |         |         |         |         | Radius (m)        |
| 12                | 15.4m x |         |         |         |         |         |         |         | 12                |
| 14                | 52.6t   |         |         |         | 17.1m x |         |         |         | 14                |
| 16                | 52.1    |         |         |         | 45.8t   |         |         |         | 16                |
| 18                | 50.4    |         |         |         | 45.2    |         |         |         | 18                |
| 20                | 48.8    |         |         |         | 43.9    |         |         |         | 20                |
| 22                | 47.3    |         |         |         | 42.6    |         |         |         | 22                |
| 24                | 45.2    | 27.0m x |         |         | 41.4    |         |         |         | 24                |
| 26                | 43.1    | 46.6t   |         |         | 40.1    | 29.5m x |         |         | 26                |
| 28                | 41.2    | 45.5    |         |         | 38.3    | 40.4t   |         |         | 28                |
| 30                | 39.6    | 43.3    |         |         | 36.6    | 40.0    |         |         | 30                |
| 32                | 38.2    | 40.2    |         |         | 35.1    | 38.2    |         |         | 32                |
| 34                | 35.5    | 37.3    |         |         | 33.8    | 36.3    |         |         | 34                |
| 36                | 34.9m x | 34.7    |         |         | 32.7    | 33.7    |         |         | 36                |
| 38                | 31.0t   | 32.3    | 41.8m x |         | 31.7    | 31.4    |         |         | 38                |
| 40                |         | 30.3    | 20.6t   |         | 28.6    | 29.4    |         |         | 40                |
| 42                |         | 28.4    | 20.5    |         | 40.7m x | 27.5    | 45.2m x |         | 42                |
| 44                |         | 43.4m x | 19.2    |         | 26.0t   | 25.8    | 17.4t   |         | 44                |
| 46                |         | 27.2t   | 18.0    |         |         | 24.3    | 16.9    |         | 46                |
| 48                |         |         | 16.9    |         |         | 22.9    | 15.8    |         | 48                |
| 50                |         |         | 15.9    |         |         | 49.2m x | 14.8    |         | 50                |
| 52                |         |         | 14.9    | 55.4m x |         | 22.1t   | 13.9    |         | 52                |
| 54                |         |         | 53.7m x | 7.9t    |         |         | 13.1    |         | 54                |
| 56                |         |         | 14.2t   | 7.8     |         |         | 12.3    | 59.6m x | 56                |
| 58                |         |         |         | 7.2     |         |         | 11.6    | 5.7t    | 58                |
| 60                |         |         |         | 6.7     |         |         | 59.4m x | 5.6     | 60                |
| 62                |         |         |         | 6.2     |         |         | 11.1t   | 5.2     | 62                |
| 64                |         |         |         | 63.2m x |         |         |         | 62.8m x | 64                |
| 66                |         |         |         | 6.0t    |         |         |         | 5.0t    | 66                |

| Boom Length (m)   | 60      |         |         |         |         |         | Boom Length (m)   |
|-------------------|---------|---------|---------|---------|---------|---------|-------------------|
| Jib Length (m)    | 42      |         |         | 48      |         |         | Jib Length (m)    |
| Boom Angle (deg.) | 88      | 80      | 70      | 88      | 80      | 70      | Boom Angle (deg.) |
| Radius (m)        |         |         |         |         |         |         | Radius (m)        |
| 16                | 18.8m x |         |         |         |         |         | 16                |
| 18                | 40.2t   |         |         | 20.5m x |         |         | 18                |
| 20                | 39.6    |         |         | 35.3t   |         |         | 20                |
| 22                | 38.6    |         |         | 34.7    |         |         | 22                |
| 24                | 37.5    |         |         | 33.9    |         |         | 24                |
| 26                | 36.6    |         |         | 33.0    |         |         | 26                |
| 28                | 35.5    | 31.9m x |         | 32.3    |         |         | 28                |
| 30                | 33.9    | 35.2t   |         | 31.5    |         |         | 30                |
| 32                | 32.5    | 35.2    |         | 30.2    | 34.3m x |         | 32                |
| 34                | 31.2    | 33.6    |         | 28.9    | 30.7t   |         | 34                |
| 36                | 30.0    | 32.2    |         | 27.8    | 29.6    |         | 36                |
| 38                | 29.0    | 30.8    |         | 26.7    | 28.4    |         | 38                |
| 40                | 28.0    | 28.8    |         | 25.8    | 27.1    |         | 40                |
| 42                | 27.2    | 26.9    |         | 24.9    | 25.9    |         | 42                |
| 44                | 26.6    | 25.3    |         | 24.1    | 24.5    |         | 44                |
| 46                | 23.4    | 23.7    | 48.5m x | 23.5    | 23.0    |         | 46                |
| 48                | 46.5m x | 22.4    | 14.8t   | 22.9    | 21.7    | 51.9m x | 48                |
| 50                | 21.9t   | 21.1    | 14.1    | 22.3    | 20.4    | 12.4t   | 50                |
| 52                |         | 19.9    | 13.2    | 19.3    | 19.2    | 12.4    | 52                |
| 54                |         | 18.8    | 12.4    | 52.3m x | 18.2    | 11.6    | 54                |
| 56                |         | 55.0m x | 11.6    | 18.6t   | 17.2    | 10.8    | 56                |
| 58                |         | 18.3t   | 10.9    |         | 16.2    | 10.1    | 58                |
| 60                |         |         | 10.2    |         | 15.4    | 9.5     | 60                |
| 62                |         |         | 9.6     |         | 60.8m x | 8.9     | 62                |
| 64                |         |         | 9.0     |         | 15.1t   | 8.3     | 64                |
| 66                |         |         | 65.2m x |         |         | 7.8     | 66                |
| 68                |         |         | 8.7t    |         |         | 7.3     | 68                |
| 70                |         |         |         |         |         | 6.8     | 70                |
| 72                |         |         |         |         |         | 71.0m x | 72                |
| 74                |         |         |         |         |         | 6.6t    | 74                |

\* For notes about the table above, refer to page 46.

■ Tower 60 m (Rear end Radius: Standard)



Unit: ton

| Boom Length (m)   | 60      |         |         |         |         | Boom Length (m)   |
|-------------------|---------|---------|---------|---------|---------|-------------------|
| Jib Length (m)    | 54      |         |         | 60      |         | Jib Length (m)    |
| Boom Angle (deg.) | 88      | 80      | 70      | 88      | 80      | Boom Angle (deg.) |
| Radius (m)        |         |         |         |         |         | Radius (m)        |
| 20                | 22.3m x |         |         |         |         | 20                |
| 22                | 30.9t   |         |         |         |         | 22                |
| 24                | 30.4    |         |         | 27.2    |         | 24                |
| 26                | 29.7    |         |         | 26.7    |         | 26                |
| 28                | 29.1    |         |         | 26.1    |         | 28                |
| 30                | 28.4    |         |         | 25.6    |         | 30                |
| 32                | 27.7    |         |         | 25.0    |         | 32                |
| 34                | 26.5    | 36.8m x |         | 24.4    |         | 34                |
| 36                | 25.4    | 26.6t   |         | 23.3    | 39.2m x | 36                |
| 38                | 24.4    | 25.9    |         | 22.3    | 22.8t   | 38                |
| 40                | 23.5    | 24.9    |         | 21.5    | 22.4    | 40                |
| 42                | 22.7    | 23.9    |         | 20.6    | 21.5    | 42                |
| 44                | 21.9    | 22.8    |         | 19.9    | 20.7    | 44                |
| 46                | 21.2    | 21.8    |         | 19.2    | 19.8    | 46                |
| 48                | 20.6    | 20.9    |         | 18.5    | 18.9    | 48                |
| 50                | 20.0    | 19.9    |         | 18.0    | 18.1    | 50                |
| 52                | 19.5    | 18.7    | 55.2m x | 17.4    | 17.4    | 52                |
| 54                | 19.1    | 17.6    | 10.5t   | 17.0    | 16.7    | 54                |
| 56                | 18.6    | 16.6    | 10.2    | 16.5    | 15.8    | 56                |
| 58                | 57.9m x | 15.7    | 9.5     | 16.2    | 14.8    | 58                |
| 60                | 15.7t   | 14.8    | 8.8     | 15.8    | 14.0    | 60                |
| 62                |         | 14.0    | 8.2     | 15.4    | 13.2    | 62                |
| 64                |         | 13.3    | 7.6     | 63.7m x | 12.4    | 64                |
| 66                |         | 12.5    | 7.1     | 13.2t   | 11.7    | 66                |
| 68                |         | 66.4m x | 6.6     |         | 11.1    | 68                |
| 70                |         | 12.4t   | 6.1     |         | 10.4    | 70                |
| 72                |         |         | 5.7     |         | 9.9     | 72                |
| 74                |         |         | 5.3     |         | 72.2m x | 74                |
| 76                |         |         | 75.5m x |         | 9.8t    | 76                |
| 78                |         |         | 5.0t    |         |         | 78                |

\* For notes about the table above, refer to page 46.

■ Tower 24 m (Rear end Radius: Short)



Unit: ton

| Boom Length (m)   | 24      |         |         |         |         |         |         |         | Boom Length (m)   |
|-------------------|---------|---------|---------|---------|---------|---------|---------|---------|-------------------|
| Jib Length (m)    | 24      |         |         |         | 30      |         |         |         | Jib Length (m)    |
| Boom Angle (deg.) | 88      | 80      | 70      | 60      | 88      | 80      | 70      | 60      | Boom Angle (deg.) |
| Radius (m)        |         |         |         |         |         |         |         |         | Radius (m)        |
| -                 |         |         |         |         | 13.8m x |         |         |         | -                 |
| 12.1              | 100.0   |         |         |         | 90.0t   |         |         |         | 12.1              |
| 14                | 92.9    |         |         |         | 89.2    |         |         |         | 14                |
| 16                | 84.0    | 18.3m x |         |         | 82.1    |         |         |         | 16                |
| 18                | 76.8    | 85.6t   |         |         | 74.9    | 20.8m x |         |         | 18                |
| 20                | 70.8    | 78.1    |         |         | 68.9    | 74.3t   |         |         | 20                |
| 22                | 65.8    | 69.8    |         |         | 63.9    | 69.7    |         |         | 22                |
| 24                | 58.6    | 62.9    | 26.1m x |         | 59.6    | 62.8    |         |         | 24                |
| 26                | 45.5    | 57.1    | 52.4t   |         | 55.9    | 57.1    | 29.5m x |         | 26                |
| 28                | 27.8m x | 52.3    | 48.1    |         | 52.8    | 52.3    | 45.0t   |         | 28                |
| 30                | 33.7t   | 48.1    | 44.2    | 33.2m x | 44.1    | 48.1    | 44.1    |         | 30                |
| 32                |         | 31.3m x | 40.8    | 35.5t   | 34.8    | 44.5    | 40.7    |         | 32                |
| 34                |         | 38.8t   | 37.8    | 34.5    | 33.6m x | 41.3    | 37.8    | 37.4m x | 34                |
| 36                |         |         | 35.5m x | 32.0    | 27.3t   | 37.5    | 35.2    | 30.4t   | 36                |
| 38                |         |         | 35.8t   | 29.9    |         | 37.1m x | 32.9    | 29.7    | 38                |
| 40                |         |         |         | 39.4m x |         | 31.6t   | 30.8    | 27.8    | 40                |
| 42                |         |         |         | 28.5t   |         |         | 41.3m x | 26.1    | 42                |
| 44                |         |         |         |         |         |         | 29.6t   | 24.6    | 44                |
| 46                |         |         |         |         |         |         |         | 45.2m x | 46                |
| 48                |         |         |         |         |         |         |         | 23.7t   | 48                |

Unit: ton

| Boom Length (m)   | 24      |         |         |         |         |         |         |         | Boom Length (m)   |
|-------------------|---------|---------|---------|---------|---------|---------|---------|---------|-------------------|
| Jib Length (m)    | 36      |         |         |         | 42      |         |         |         | Jib Length (m)    |
| Boom Angle (deg.) | 88      | 80      | 70      | 60      | 88      | 80      | 70      | 60      | Boom Angle (deg.) |
| Radius (m)        |         |         |         |         |         |         |         |         | Radius (m)        |
| 12                | 15.5m x |         |         |         |         |         |         |         | 12                |
| 14                | 79.1t   |         |         |         | 17.2m x |         |         |         | 14                |
| 16                | 77.5    |         |         |         | 69.9t   |         |         |         | 16                |
| 18                | 71.9    |         |         |         | 67.9    |         |         |         | 18                |
| 20                | 66.6    | 23.2m x |         |         | 63.3    |         |         |         | 20                |
| 22                | 61.7    | 64.4t   |         |         | 59.2    | 25.7m x |         |         | 22                |
| 24                | 57.4    | 62.1    |         |         | 55.5    | 56.0t   |         |         | 24                |
| 26                | 53.7    | 56.4    |         |         | 51.9    | 55.5    |         |         | 26                |
| 28                | 50.5    | 51.5    |         |         | 48.7    | 50.8    |         |         | 28                |
| 30                | 47.7    | 47.4    | 32.9m x |         | 45.8    | 46.7    |         |         | 30                |
| 32                | 44.9    | 43.8    | 38.5t   |         | 43.3    | 43.1    |         |         | 32                |
| 34                | 40.2    | 40.6    | 36.9    |         | 41.1    | 39.9    | 36.2m x |         | 34                |
| 36                | 33.2    | 37.8    | 34.4    |         | 38.2    | 37.1    | 33.3t   |         | 36                |
| 38                | 26.7    | 35.3    | 32.1    | 41.6m x | 35.7    | 34.6    | 31.3    |         | 38                |
| 40                | 39.4m x | 33.1    | 30.0    | 25.6t   | 30.8    | 32.4    | 29.2    |         | 40                |
| 42                | 21.9t   | 29.1    | 28.1    | 25.3    | 25.7    | 30.4    | 27.4    | 45.7m x | 42                |
| 44                |         | 42.9m x | 26.5    | 23.7    | 20.9    | 28.6    | 25.7    | 21.7t   | 44                |
| 46                |         | 25.7t   | 25.0    | 22.3    | 45.2m x | 26.9    | 24.2    | 21.5    | 46                |
| 48                |         |         | 47.1m x | 21.0    | 17.8t   | 23.1    | 22.8    | 20.2    | 48                |
| 50                |         |         | 24.2t   | 19.9    |         | 48.7m x | 21.5    | 19.1    | 50                |
| 52                |         |         |         | 51.0m x |         | 21.1t   | 20.4    | 18.0    | 52                |
| 54                |         |         |         | 19.3t   |         |         | 52.9m x | 17.0    | 54                |
| 56                |         |         |         |         |         |         | 19.9t   | 16.1    | 56                |
| 58                |         |         |         |         |         |         |         | 56.8m x | 58                |
| 60                |         |         |         |         |         |         |         | 15.8t   | 60                |

- The rated loads are determined according to EN13000 rating on the condition that the machine is stationed on firm, level ground.
- To calculate the maximum load that can actually be lifted, deduct mass of all lifting accessories, such as hook, from figures shown above.
- The figures surrounded by bold lines are based on factors other than those which would cause a tioping condition.
- Working radius is the horizontal distance from the swing center to the center of gravity of a lifted load.
- The 145 ton counter weight and 25 ton lower weight are required for all capacities on these charts.
- Figures described as OOm x OOt in the tables indicate "working radius" m x "rated load" ton.
- The usable hook when lifting tower jib is described on page 46. Using the unusable hook cause the jib to swing.
- Correlation between the number of reeved lines, maximum rated loads, hook mass are shown in the table below.

| Hook Capacity | Hook Mass (ton) | Maximum Rated Load (ton) |        |        |        |        |        |       |
|---------------|-----------------|--------------------------|--------|--------|--------|--------|--------|-------|
|               |                 | 7falls                   | 6falls | 5falls | 4falls | 3falls | 2falls | 1fall |
| 100t          | 3.11            | 100                      | 90     | 76     | 61     | 46     | 31     | -     |
| 45t           | 2.17            | -                        | -      | -      | -      | 45     | 31     | -     |
| 15t           | 0.62            | -                        | -      | -      | -      | -      | -      | 15    |

- The necessary mass to lower the hook refers "Lowerable Jib Hook Mass" on page 47.
- Be sure to attach the balance weight (420kg x 2) to the top jib when the jib length is 24m.
- Remove the sheave block the boom top when using jib length 54 or 60 m for boom length 54 m.
- The gross rated load value of the jib with the sheave block the boom top is after 1.1 ton is deducted from the gross rated load of the jib.



■ **Tower 24 m (Rear end Radius: Short)**



|                   |         | 24 |         |         |         |         |         |         |         |                   |  |
|-------------------|---------|----|---------|---------|---------|---------|---------|---------|---------|-------------------|--|
| Boom Length (m)   |         | 48 |         |         |         | 54      |         |         |         | Boom Length (m)   |  |
| Jib Length (m)    |         |    |         |         |         |         |         |         |         | Jib Length (m)    |  |
| Boom Angle (deg.) |         |    |         |         |         |         |         |         |         | Boom Angle (deg.) |  |
| Radius (m)        |         | 88 | 80      | 70      | 60      | 88      | 80      | 70      | 60      | Radius (m)        |  |
| 16                | 18.9m x |    |         |         |         |         |         |         |         | 16                |  |
| 18                | 62.4t   |    |         |         |         | 20.6m x |         |         |         | 18                |  |
| 20                | 60.1    |    |         |         |         | 55.4t   |         |         |         | 20                |  |
| 22                | 56.3    |    |         |         |         | 52.8    |         |         |         | 22                |  |
| 24                | 52.8    |    |         |         |         | 49.4    |         |         |         | 24                |  |
| 26                | 49.7    |    | 28.1m x |         |         | 46.3    |         |         |         | 26                |  |
| 28                | 46.9    |    | 49.3t   |         |         | 43.6    |         | 30.5m x |         | 28                |  |
| 30                | 44.4    |    | 45.9    |         |         | 41.1    | 43.5t   |         |         | 30                |  |
| 32                | 41.9    |    | 42.3    |         |         | 38.9    | 41.7    |         |         | 32                |  |
| 34                | 39.7    |    | 39.2    |         |         | 36.9    | 38.6    |         |         | 34                |  |
| 36                | 37.6    |    | 36.4    | 39.6m x |         | 35.1    | 35.8    |         |         | 36                |  |
| 38                | 35.0    |    | 33.9    | 28.9t   |         | 33.5    | 33.3    |         |         | 38                |  |
| 40                | 32.7    |    | 31.7    | 28.5    |         | 32.0    | 31.1    | 42.9m x |         | 40                |  |
| 42                | 30.7    |    | 29.7    | 26.6    |         | 30.1    | 29.1    | 25.1t   |         | 42                |  |
| 44                | 28.1    |    | 27.9    | 25.0    |         | 28.3    | 27.3    | 24.3    |         | 44                |  |
| 46                | 24.0    |    | 26.2    | 23.4    | 49.9m x | 26.6    | 25.6    | 22.7    |         | 46                |  |
| 48                | 20.2    |    | 24.8    | 22.1    | 18.3t   | 25.0    | 24.1    | 21.4    |         | 48                |  |
| 50                | 16.5    |    | 23.4    | 20.8    | 18.3    | 22.2    | 22.7    | 20.1    |         | 50                |  |
| 52                | 51.0m x |    | 22.1    | 19.6    | 17.2    | 19.1    | 21.5    | 18.9    | 54.1m x | 52                |  |
| 54                | 14.5t   |    | 18.5    | 18.6    | 16.2    | 16.1    | 20.3    | 17.9    | 15.4t   | 54                |  |
| 56                |         |    | 54.5m x | 17.6    | 15.3    | 13.1    | 19.2    | 16.9    | 14.6    | 56                |  |
| 58                |         |    | 17.4t   | 16.7    | 14.5    | 56.8m x | 18.2    | 16.0    | 13.7    | 58                |  |
| 60                |         |    |         | 58.7m x | 13.7    | 11.8t   | 14.9    | 15.1    | 12.9    | 60                |  |
| 62                |         |    |         | 16.4t   | 13.0    |         | 60.3m x | 14.3    | 12.2    | 62                |  |
| 64                |         |    |         |         | 62.6m x |         | 14.4t   | 13.6    | 11.5    | 64                |  |
| 66                |         |    |         |         | 12.8t   |         |         | 64.5m x | 10.9    | 66                |  |
| 68                |         |    |         |         |         |         |         | 13.4t   | 10.3    | 68                |  |
| 70                |         |    |         |         |         |         |         |         | 68.4m x | 70                |  |
| 72                |         |    |         |         |         |         |         |         | 10.2t   | 72                |  |

|                   |         | 24 |         |         |         |                   |  |
|-------------------|---------|----|---------|---------|---------|-------------------|--|
| Boom Length (m)   |         | 60 |         |         |         | Boom Length (m)   |  |
| Jib Length (m)    |         |    |         |         |         | Jib Length (m)    |  |
| Boom Angle (deg.) |         |    |         |         |         | Boom Angle (deg.) |  |
| Radius (m)        |         | 88 | 80      | 70      | 60      | Radius (m)        |  |
| 20                | 22.4m x |    |         |         |         | 20                |  |
| 22                | 40.8t   |    |         |         |         | 22                |  |
| 24                | 38.6    |    |         |         |         | 24                |  |
| 26                | 36.2    |    |         |         |         | 26                |  |
| 28                | 33.9    |    |         |         |         | 28                |  |
| 30                | 31.9    |    | 33.0m x |         |         | 30                |  |
| 32                | 30.1    |    | 32.4t   |         |         | 32                |  |
| 34                | 28.5    |    | 31.5    |         |         | 34                |  |
| 36                | 27.0    |    | 29.7    |         |         | 36                |  |
| 38                | 25.6    |    | 28.2    |         |         | 38                |  |
| 40                | 24.3    |    | 26.7    |         |         | 40                |  |
| 42                | 23.2    |    | 25.4    |         |         | 42                |  |
| 44                | 22.1    |    | 24.1    | 46.3m x |         | 44                |  |
| 46                | 21.1    |    | 23.0    | 21.9t   |         | 46                |  |
| 48                | 20.2    |    | 22.0    | 20.7    |         | 48                |  |
| 50                | 19.4    |    | 21.0    | 19.4    |         | 50                |  |
| 52                | 18.6    |    | 20.1    | 18.3    |         | 52                |  |
| 54                | 17.9    |    | 19.3    | 17.2    |         | 54                |  |
| 56                | 17.3    |    | 18.6    | 16.2    | 58.2m x | 56                |  |
| 58                | 15.2    |    | 17.6    | 15.3    | 12.9t   | 58                |  |
| 60                | 12.8    |    | 16.7    | 14.4    | 12.2    | 60                |  |
| 62                | 10.3    |    | 15.8    | 13.6    | 11.5    | 62                |  |
| 64                | 62.6m x |    | 14.9    | 12.9    | 10.8    | 64                |  |
| 66                | 9.5t    |    | 12.0    | 12.2    | 10.2    | 66                |  |
| 68                |         |    | 66.1m x | 11.5    | 9.6     | 68                |  |
| 70                |         |    | 11.8t   | 10.9    | 9.0     | 70                |  |
| 72                |         |    |         | 70.3m x | 8.5     | 72                |  |
| 74                |         |    |         | 10.8t   | 8.0     | 74                |  |
| 76                |         |    |         |         | 74.2m x | 76                |  |
| 78                |         |    |         |         | 8.0t    | 78                |  |

\* For notes about the table above, refer to page 60.

■ Tower 30 m (Rear end Radius: Short)



Unit: ton

| Boom Length (m)   | 30      |         |         |         |         |         |         |         | Boom Length (m)   |
|-------------------|---------|---------|---------|---------|---------|---------|---------|---------|-------------------|
| Jib Length (m)    | 24      |         |         |         | 30      |         |         |         | Jib Length (m)    |
| Boom Angle (deg.) | 88      | 80      | 70      | 60      | 88      | 80      | 70      | 60      | Boom Angle (deg.) |
| Radius (m)        |         |         |         |         |         |         |         |         | Radius (m)        |
| 10                | 12.4m x |         |         |         |         |         |         |         | 10                |
| 12                | 100.0t  |         |         |         | 14.1m x |         |         |         | 12                |
| 14                | 94.4    |         |         |         | 89.2t   |         |         |         | 14                |
| 16                | 86.6    | 19.4m x |         |         | 82.6    |         |         |         | 16                |
| 18                | 80.1    | 77.3t   |         |         | 76.5    | 21.8m x |         |         | 18                |
| 20                | 74.7    | 74.6    |         |         | 71.1    | 67.1t   |         |         | 20                |
| 22                | 69.1    | 66.6    |         |         | 66.6    | 66.4    |         |         | 22                |
| 24                | 62.1    | 60.0    |         |         | 62.4    | 59.9    |         |         | 24                |
| 26                | 48.5    | 54.5    | 28.2m x |         | 56.7    | 54.4    |         |         | 26                |
| 28                | 35.2    | 49.8    | 44.1t   |         | 51.9    | 49.7    | 31.6m x |         | 28                |
| 30                | 28.1m x | 45.7    | 40.9    |         | 47.6    | 45.7    | 38.1t   |         | 30                |
| 32                | 34.4t   | 42.2    | 37.7    |         | 38.3    | 42.2    | 37.5    |         | 32                |
| 34                |         | 32.4m x | 34.9    | 36.2m x | 33.8m x | 39.2    | 34.8    |         | 34                |
| 36                |         | 39.8t   | 32.4    | 28.3t   | 29.7t   | 36.5    | 32.3    |         | 36                |
| 38                |         |         | 37.6m x | 26.6    |         | 34.1    | 30.2    | 40.4m x | 38                |
| 40                |         |         | 30.7t   | 24.8    |         | 38.2m x | 28.2    | 24.2t   | 40                |
| 42                |         |         |         | 23.2    |         | 33.9t   | 26.5    | 23.0    | 42                |
| 44                |         |         |         | 42.4m x |         |         | 43.4m x | 21.6    | 44                |
| 46                |         |         |         | 22.9t   |         |         | 25.4t   | 20.3    | 46                |
| 48                |         |         |         |         |         |         |         | 19.2    | 48                |
| 50                |         |         |         |         |         |         |         | 48.2m x | 50                |
| 52                |         |         |         |         |         |         |         | 19.1t   | 52                |

Unit: ton

| Boom Length (m)   | 30      |         |         |         |         |         |         |         | Boom Length (m)   |
|-------------------|---------|---------|---------|---------|---------|---------|---------|---------|-------------------|
| Jib Length (m)    | 36      |         |         |         | 42      |         |         |         | Jib Length (m)    |
| Boom Angle (deg.) | 88      | 80      | 70      | 60      | 88      | 80      | 70      | 60      | Boom Angle (deg.) |
| Radius (m)        |         |         |         |         |         |         |         |         | Radius (m)        |
| 12                | 15.8m x |         |         |         |         |         |         |         | 12                |
| 14                | 78.4t   |         |         |         | 17.5m x |         |         |         | 14                |
| 16                | 77.8    |         |         |         | 69.3t   |         |         |         | 16                |
| 18                | 72.3    |         |         |         | 68.1    |         |         |         | 18                |
| 20                | 67.3    |         |         |         | 63.7    |         |         |         | 20                |
| 22                | 62.9    | 24.3m x |         |         | 59.6    |         |         |         | 22                |
| 24                | 59.1    | 58.2t   |         |         | 56.0    | 26.7m x |         |         | 24                |
| 26                | 55.8    | 53.6    |         |         | 52.8    | 51.2t   |         |         | 26                |
| 28                | 51.3    | 49.0    |         |         | 49.9    | 48.3    |         |         | 28                |
| 30                | 47.1    | 45.0    |         |         | 46.5    | 44.3    |         |         | 30                |
| 32                | 43.5    | 41.5    | 34.9m x |         | 42.9    | 40.8    |         |         | 32                |
| 34                | 40.3    | 38.5    | 32.8t   |         | 39.8    | 37.8    |         |         | 34                |
| 36                | 37.3    | 35.8    | 31.5    |         | 37.0    | 35.1    | 38.3m x |         | 36                |
| 38                | 30.5    | 33.4    | 29.4    |         | 34.5    | 32.7    | 28.3t   |         | 38                |
| 40                | 39.6m x | 31.3    | 27.4    |         | 32.3    | 30.6    | 26.6    |         | 40                |
| 42                | 24.8t   | 29.4    | 25.7    | 44.6m x | 29.9    | 28.7    | 24.9    |         | 42                |
| 44                |         | 27.6    | 24.1    | 20.3t   | 24.7    | 26.9    | 23.3    |         | 44                |
| 46                |         |         | 22.7    | 19.4    | 45.4m x | 25.4    | 21.9    | 48.7m x | 46                |
| 48                |         |         | 21.4    | 18.3    | 20.8t   | 23.9    | 20.6    | 17.1t   | 48                |
| 50                |         |         | 49.2m x | 17.2    |         | 49.8m x | 19.4    | 16.4    | 50                |
| 52                |         |         | 20.7t   | 16.3    |         | 22.8t   | 18.4    | 15.4    | 52                |
| 54                |         |         |         | 15.4    |         |         | 17.4    | 14.5    | 54                |
| 56                |         |         |         |         |         |         | 55.0m x | 13.7    | 56                |
| 58                |         |         |         |         |         |         | 16.9t   | 12.9    | 58                |
| 60                |         |         |         |         |         |         |         | 59.8m x | 60                |
| 62                |         |         |         |         |         |         |         | 12.3t   | 62                |

\* For notes about the table above, refer to page 60.

■ Tower 30 m (Rear end Radius: Short)



Unit: ton

| Boom Length (m)   | 30      |         |         |         |         |         |         |         | Boom Length (m)   |
|-------------------|---------|---------|---------|---------|---------|---------|---------|---------|-------------------|
| Jib Length (m)    | 48      |         |         |         | 54      |         |         |         | Jib Length (m)    |
| Boom Angle (deg.) | 88      | 80      | 70      | 60      | 88      | 80      | 70      | 60      | Boom Angle (deg.) |
| Radius (m)        |         |         |         |         |         |         |         |         | Radius (m)        |
| 16                | 19.2m x |         |         |         | 20.9m x |         |         |         | 16                |
| 18                | 61.9t   |         |         |         | 55.1t   |         |         |         | 18                |
| 20                | 60.3    |         |         |         |         |         |         |         | 20                |
| 22                | 56.5    |         |         |         | 53.1    |         |         |         | 22                |
| 24                | 53.2    |         |         |         | 49.6    |         |         |         | 24                |
| 26                | 50.1    | 29.1m x |         |         | 46.5    |         |         |         | 26                |
| 28                | 47.3    | 45.3t   |         |         | 43.8    | 31.6m x |         |         | 28                |
| 30                | 44.9    | 43.5    |         |         | 41.3    | 40.1t   |         |         | 30                |
| 32                | 42.3    | 40.1    |         |         | 39.1    | 39.5    |         |         | 32                |
| 34                | 39.1    | 37.1    |         |         | 37.0    | 36.4    |         |         | 34                |
| 36                | 36.3    | 34.4    |         |         | 35.2    | 33.8    |         |         | 36                |
| 38                | 33.8    | 32.0    | 41.6m x |         | 33.3    | 31.4    |         |         | 38                |
| 40                | 31.6    | 29.9    | 24.4t   |         | 31.1    | 29.3    |         |         | 40                |
| 42                | 29.6    | 28.0    | 24.1    |         | 29.1    | 27.3    | 45.0m x |         | 42                |
| 44                | 27.8    | 26.2    | 22.6    |         | 27.2    | 25.6    | 21.1t   |         | 44                |
| 46                | 26.2    | 24.7    | 21.2    |         | 25.6    | 24.0    | 20.4    |         | 46                |
| 48                | 24.4    | 23.2    | 19.9    |         | 24.1    | 22.6    | 19.1    |         | 48                |
| 50                | 19.9    | 21.9    | 18.7    | 52.9m x | 22.7    | 21.3    | 18.0    |         | 50                |
| 52                | 51.2m x | 20.7    | 17.6    | 14.2t   | 21.5    | 20.1    | 16.9    |         | 52                |
| 54                | 17.1t   | 19.6    | 16.6    | 13.7    | 19.7    | 18.9    | 15.9    | 57.1m x | 54                |
| 56                |         | 55.6m x | 15.7    | 12.9    | 16.0    | 17.9    | 15.0    | 11.7t   | 56                |
| 58                |         | 18.8t   | 14.8    | 12.1    | 57.0m x | 17.0    | 14.1    | 11.4    | 58                |
| 60                |         |         | 14.1    | 11.4    | 14.1t   | 16.1    | 13.3    | 10.6    | 60                |
| 62                |         |         | 60.8m x | 10.8    |         | 61.4m x | 12.6    | 10.0    | 62                |
| 64                |         |         | 13.8t   | 10.2    |         | 15.5t   | 11.9    | 9.4     | 64                |
| 66                |         |         |         | 65.6m x |         |         | 11.3    | 8.8     | 66                |
| 68                |         |         |         | 9.8t    |         |         | 66.6m x | 8.3     | 68                |
| 70                |         |         |         |         |         |         | 11.1t   | 7.8     | 70                |
| 72                |         |         |         |         |         |         |         | 71.4m x | 72                |
| 74                |         |         |         |         |         |         |         | 7.5t    | 74                |

Unit: ton

| Boom Length (m)   | 30      |         |         |         | Boom Length (m)   |
|-------------------|---------|---------|---------|---------|-------------------|
| Jib Length (m)    | 60      |         |         |         | Jib Length (m)    |
| Boom Angle (deg.) | 88      | 80      | 70      | 60      | Boom Angle (deg.) |
| Radius (m)        |         |         |         |         | Radius (m)        |
| 20                | 22.6m x |         |         |         | 20                |
| 22                | 40.7t   |         |         |         | 22                |
| 24                | 38.8    |         |         |         | 24                |
| 26                | 36.3    |         |         |         | 26                |
| 28                | 34.1    |         |         |         | 28                |
| 30                | 32.1    |         |         |         | 30                |
| 32                | 30.2    |         |         |         | 32                |
| 34                | 28.6    | 32.4    |         |         | 34                |
| 36                | 27.0    | 30.5    |         |         | 36                |
| 38                | 25.7    | 28.9    |         |         | 38                |
| 40                | 24.4    | 27.4    |         |         | 40                |
| 42                | 23.2    | 26.0    |         |         | 42                |
| 44                | 22.1    | 24.7    |         |         | 44                |
| 46                | 21.2    | 23.5    | 48.3m x |         | 46                |
| 48                | 20.2    | 22.0    | 18.3t   |         | 48                |
| 50                | 19.4    | 20.7    | 17.3    |         | 50                |
| 52                | 18.6    | 19.5    | 16.2    |         | 52                |
| 54                | 17.9    | 18.3    | 15.2    |         | 54                |
| 56                | 17.3    | 17.3    | 14.3    |         | 56                |
| 58                | 16.7    | 16.3    | 13.4    | 61.2m x | 58                |
| 60                | 15.9    | 15.5    | 12.6    | 9.5t    | 60                |
| 62                | 12.9    | 14.6    | 11.9    | 9.3     | 62                |
| 64                | 62.8m x | 13.8    | 11.2    | 8.7     | 64                |
| 66                | 11.6t   | 13.1    | 10.6    | 8.1     | 66                |
| 68                |         | 67.2m x | 9.9     | 7.5     | 68                |
| 70                |         | 12.7t   | 9.4     | 7.0     | 70                |
| 72                |         |         | 8.8     | 6.6     | 72                |
| 74                |         |         | 72.4m x | 6.1     | 74                |
| 76                |         |         | 8.7t    | 5.7     | 76                |
| 78                |         |         |         | 77.2m x | 78                |
| 80                |         |         |         | 5.5t    | 80                |

\* For notes about the table above, refer to page 60.

■ Tower 36 m (Rear end Radius: Short)



Unit: ton

| Boom Length (m)   | 36      |         |         |         |         |         |         |         | Boom Length (m)   |
|-------------------|---------|---------|---------|---------|---------|---------|---------|---------|-------------------|
| Jib Length (m)    | 24      |         |         |         | 30      |         |         |         | Jib Length (m)    |
| Boom Angle (deg.) | 88      | 80      | 70      | 60      | 88      | 80      | 70      | 60      | Boom Angle (deg.) |
| Radius (m)        |         |         |         |         |         |         |         |         | Radius (m)        |
| 10                | 12.7m x |         |         |         |         |         |         |         | 10                |
| 12                | 97.9t   |         |         |         | 14.4m x |         |         |         | 12                |
| 14                | 92.8    |         |         |         | 86.4t   |         |         |         | 14                |
| 16                | 85.6    |         |         |         | 81.4    |         |         |         | 16                |
| 18                | 79.6    | 20.4m x |         |         | 75.8    |         |         |         | 18                |
| 20                | 74.2    | 69.8t   |         |         | 70.8    | 22.9m x |         |         | 20                |
| 22                | 67.6    | 63.8    |         |         | 66.5    | 60.6t   |         |         | 22                |
| 24                | 60.9    | 57.4    |         |         | 61.0    | 57.3    |         |         | 24                |
| 26                | 50.8    | 52.1    |         |         | 55.4    | 52.0    |         |         | 26                |
| 28                | 37.4    | 47.6    | 30.3m x |         | 50.6    | 47.5    |         |         | 28                |
| 30                | 28.3m x | 43.7    | 37.2t   |         | 46.6    | 43.6    | 33.6m x |         | 30                |
| 32                | 35.2t   | 40.3    | 34.7    |         | 40.0    | 40.3    | 32.4t   |         | 32                |
| 34                |         | 33.4m x | 32.1    |         | 30.4    | 37.3    | 31.9    |         | 34                |
| 36                |         | 38.2t   | 29.8    | 39.2m x | 34.1m x | 34.7    | 29.6    |         | 36                |
| 38                |         |         | 27.8    | 22.3t   | 29.8t   | 32.5    | 27.6    |         | 38                |
| 40                |         |         | 39.6m x | 21.6    |         | 39.2m x | 25.8    | 43.4m x | 40                |
| 42                |         |         | 26.3t   | 20.2    |         | 31.2t   | 24.2    | 19.0t   | 42                |
| 44                |         |         |         | 18.9    |         |         | 22.7    | 18.7    | 44                |
| 46                |         |         |         | 45.4m x |         |         | 45.4m x | 17.5    | 46                |
| 48                |         |         |         | 18.1t   |         |         | 21.8t   | 16.5    | 48                |
| 50                |         |         |         |         |         |         |         | 15.5    | 50                |
| 52                |         |         |         |         |         |         |         | 51.2m x | 52                |
| 54                |         |         |         |         |         |         |         | 15.0t   | 54                |

Unit: ton

| Boom Length (m)   | 36      |         |         |         |         |         |         |         | Boom Length (m)   |
|-------------------|---------|---------|---------|---------|---------|---------|---------|---------|-------------------|
| Jib Length (m)    | 36      |         |         |         | 42      |         |         |         | Jib Length (m)    |
| Boom Angle (deg.) | 88      | 80      | 70      | 60      | 88      | 80      | 70      | 60      | Boom Angle (deg.) |
| Radius (m)        |         |         |         |         |         |         |         |         | Radius (m)        |
| 14                | 16.1m x |         |         |         | 17.8m x |         |         |         | 14                |
| 16                | 76.1t   |         |         |         | 67.5t   |         |         |         | 16                |
| 18                | 71.4    |         |         |         | 67.1    |         |         |         | 18                |
| 20                | 66.8    |         |         |         | 62.9    |         |         |         | 20                |
| 22                | 62.7    | 25.3m x |         |         | 59.2    |         |         |         | 22                |
| 24                | 59.1    | 53.0t   |         |         | 55.8    | 27.7m x |         |         | 24                |
| 26                | 54.8    | 51.2    |         |         | 52.7    | 46.7t   |         |         | 26                |
| 28                | 50.1    | 46.7    |         |         | 49.5    | 46.0    |         |         | 28                |
| 30                | 46.0    | 42.9    |         |         | 45.4    | 42.2    |         |         | 30                |
| 32                | 42.4    | 39.6    |         |         | 41.9    | 38.9    |         |         | 32                |
| 34                | 39.3    | 36.6    | 37.0m x |         | 38.8    | 36.0    |         |         | 34                |
| 36                | 36.6    | 34.0    | 27.7t   |         | 36.0    | 33.4    |         |         | 36                |
| 38                | 31.9    | 31.7    | 26.8    |         | 33.6    | 31.1    | 40.3m x |         | 38                |
| 40                | 39.9m x | 29.7    | 25.0    |         | 31.4    | 29.0    | 23.9t   |         | 40                |
| 42                | 25.0t   | 27.8    | 23.3    |         | 29.4    | 27.2    | 22.6    |         | 42                |
| 44                |         | 26.2    | 21.9    | 47.6m x | 25.8    | 25.5    | 21.1    |         | 44                |
| 46                |         | 45.0m x | 20.6    | 15.8t   | 45.6m x | 24.0    | 19.8    |         | 46                |
| 48                |         | 25.4t   | 19.3    | 15.6    | 21.3t   | 22.6    | 18.6    | 51.7m x | 48                |
| 50                |         |         | 18.2    | 14.6    |         | 21.3    | 17.5    | 13.0t   | 50                |
| 52                |         |         | 51.2m x | 13.7    |         | 50.8m x | 16.4    | 12.9    | 52                |
| 54                |         |         | 17.6t   | 12.9    |         | 20.9t   | 15.5    | 12.1    | 54                |
| 56                |         |         |         | 12.2    |         |         | 14.7    | 11.3    | 56                |
| 58                |         |         |         | 57.0m x |         |         | 57.0m x | 10.6    | 58                |
| 60                |         |         |         | 11.8t   |         |         | 14.3t   | 10.0    | 60                |
| 62                |         |         |         |         |         |         |         | 9.4     | 62                |
| 64                |         |         |         |         |         |         |         | 62.8m x | 64                |
| 66                |         |         |         |         |         |         |         | 9.2t    | 66                |

\* For notes about the table above, refer to page 60.

■ Tower 36 m (Rear end Radius: Short)



|                   |                | 36 |         |         |         |         |         |         |         |                   |                |
|-------------------|----------------|----|---------|---------|---------|---------|---------|---------|---------|-------------------|----------------|
| Unit: ton         |                | 48 |         |         |         | 54      |         |         |         | Unit: ton         |                |
| Boom Length (m)   | Jib Length (m) |    |         |         |         |         |         |         |         | Boom Length (m)   | Jib Length (m) |
| Boom Angle (deg.) | Radius (m)     | 88 | 80      | 70      | 60      | 88      | 80      | 70      | 60      | Boom Angle (deg.) | Radius (m)     |
| 16                | 19.5m x        |    |         |         |         |         |         |         |         |                   | 16             |
| 18                | 60.2t          |    |         |         |         | 21.2m x |         |         |         |                   | 18             |
| 20                | 59.3           |    |         |         |         | 52.7t   |         |         |         |                   | 20             |
| 22                | 55.9           |    |         |         |         | 52.3    |         |         |         |                   | 22             |
| 24                | 52.8           |    |         |         |         | 49.6    |         |         |         |                   | 24             |
| 26                | 49.9           |    |         |         |         | 46.7    |         |         |         |                   | 26             |
| 28                | 47.3           |    | 30.2m x |         |         | 43.9    |         |         |         |                   | 28             |
| 30                | 44.8           |    | 41.1t   |         |         | 41.4    | 32.6m x |         |         |                   | 30             |
| 32                | 41.2           |    | 38.1    |         |         | 39.2    | 36.6t   |         |         |                   | 32             |
| 34                | 38.1           |    | 35.2    |         |         | 37.1    | 34.6    |         |         |                   | 34             |
| 36                | 35.4           |    | 32.6    |         |         | 34.9    | 32.0    |         |         |                   | 36             |
| 38                | 32.9           |    | 30.3    |         |         | 32.4    | 29.7    |         |         |                   | 38             |
| 40                | 30.8           |    | 28.3    | 43.7m x |         | 30.2    | 27.7    |         |         |                   | 40             |
| 42                | 28.8           |    | 26.4    | 20.5t   |         | 28.3    | 25.8    |         |         |                   | 42             |
| 44                | 27.0           |    | 24.8    | 20.3    |         | 26.5    | 24.2    | 47.0m x |         |                   | 44             |
| 46                | 25.4           |    | 23.3    | 19.0    |         | 24.9    | 22.6    | 17.6t   |         |                   | 46             |
| 48                | 24.0           |    | 21.9    | 17.8    |         | 23.4    | 21.3    | 17.1    |         |                   | 48             |
| 50                | 21.2           |    | 20.6    | 16.7    |         | 22.0    | 20.0    | 16.0    |         |                   | 50             |
| 52                | 51.4m x        |    | 19.5    | 15.7    | 55.9m x | 20.8    | 18.8    | 15.0    |         |                   | 52             |
| 54                | 18.0t          |    | 18.4    | 14.7    | 10.5t   | 19.7    | 17.7    | 14.0    |         |                   | 54             |
| 56                |                |    | 17.4    | 13.9    | 10.5    | 17.4    | 16.8    | 13.2    |         |                   | 56             |
| 58                |                |    | 56.6m x | 13.1    | 9.8     | 57.2m x | 15.8    | 12.4    | 60.1m x |                   | 58             |
| 60                |                |    | 17.2t   | 12.4    | 9.2     | 15.2t   | 15.0    | 11.6    | 8.4t    |                   | 60             |
| 62                |                |    |         | 11.7    | 8.6     |         | 14.2    | 10.9    | 7.8     |                   | 62             |
| 64                |                |    |         | 62.8m x | 8.1     |         | 62.4m x | 10.3    | 7.3     |                   | 64             |
| 66                |                |    |         | 11.4t   | 7.6     |         | 14.1t   | 9.7     | 6.8     |                   | 66             |
| 68                |                |    |         |         | 7.1     |         |         | 9.2     | 6.3     |                   | 68             |
| 70                |                |    |         |         | 68.6m x |         |         | 68.6m x | 5.8     |                   | 70             |
| 72                |                |    |         |         | 7.0t    |         |         | 9.0t    | 5.4     |                   | 72             |
| 74                |                |    |         |         |         |         |         |         | 5.0     |                   | 74             |
| 76                |                |    |         |         |         |         |         |         | 74.2m x |                   | 76             |
| 78                |                |    |         |         |         |         |         |         | 5.0t    |                   | 78             |

|                   |                | 36 |         |         |                   |                |
|-------------------|----------------|----|---------|---------|-------------------|----------------|
| Unit: ton         |                | 60 |         |         | Unit: ton         |                |
| Boom Length (m)   | Jib Length (m) |    |         |         | Boom Length (m)   | Jib Length (m) |
| Boom Angle (deg.) | Radius (m)     | 88 | 80      | 70      | Boom Angle (deg.) | Radius (m)     |
| 20                | 22.9m x        |    |         |         |                   | 20             |
| 22                | 40.5t          |    |         |         |                   | 22             |
| 24                | 39.0           |    |         |         |                   | 24             |
| 26                | 36.5           |    |         |         |                   | 26             |
| 28                | 34.3           |    |         |         |                   | 28             |
| 30                | 32.2           |    |         |         |                   | 30             |
| 32                | 30.3           |    | 35.1m x |         |                   | 32             |
| 34                | 28.7           |    | 32.2t   |         |                   | 34             |
| 36                | 27.1           |    | 31.4    |         |                   | 36             |
| 38                | 25.7           |    | 29.1    |         |                   | 38             |
| 40                | 24.4           |    | 27.1    |         |                   | 40             |
| 42                | 23.3           |    | 25.3    |         |                   | 42             |
| 44                | 22.2           |    | 23.6    |         |                   | 44             |
| 46                | 21.2           |    | 22.1    |         |                   | 46             |
| 48                | 20.3           |    | 20.7    | 50.4m x |                   | 48             |
| 50                | 19.4           |    | 19.4    | 15.1t   |                   | 50             |
| 52                | 18.6           |    | 18.2    | 14.3    |                   | 52             |
| 54                | 17.9           |    | 17.2    | 13.4    |                   | 54             |
| 56                | 17.3           |    | 16.2    | 12.5    |                   | 56             |
| 58                | 16.7           |    | 15.2    | 11.7    |                   | 58             |
| 60                | 16.2           |    | 14.4    | 11.0    |                   | 60             |
| 62                | 14.3           |    | 13.6    | 10.3    |                   | 62             |
| 64                | 63.0m x        |    | 12.8    | 9.6     |                   | 64             |
| 66                | 12.7t          |    | 12.1    | 9.0     |                   | 66             |
| 68                |                |    | 11.5    | 8.4     |                   | 68             |
| 70                |                |    | 68.2m x | 7.9     |                   | 70             |
| 72                |                |    | 11.4t   | 7.4     |                   | 72             |
| 74                |                |    |         | 7.0     |                   | 74             |
| 76                |                |    |         | 74.4m x |                   | 76             |
| 78                |                |    |         | 6.9t    |                   | 78             |

\* For notes about the table above, refer to page 60.

■ Tower 42 m (Rear end Radius: Short)



Unit: ton

| Boom Length (m)   | 42      |         |         |         |         |         |         |         | Boom Length (m)   |
|-------------------|---------|---------|---------|---------|---------|---------|---------|---------|-------------------|
| Jib Length (m)    | 24      |         |         |         | 30      |         |         |         | Jib Length (m)    |
| Boom Angle (deg.) | 88      | 80      | 70      | 60      | 88      | 80      | 70      | 60      | Boom Angle (deg.) |
| Radius (m)        |         |         |         |         |         |         |         |         | Radius (m)        |
| 10                | 12.9m x |         |         |         |         |         |         |         | 10                |
| 12                | 91.9t   |         |         |         | 14.6m x |         |         |         | 12                |
| 14                | 88.2    |         |         |         | 81.4t   |         |         |         | 14                |
| 16                | 81.9    |         |         |         | 77.6    |         |         |         | 16                |
| 18                | 76.4    | 21.5m x |         |         | 72.6    |         |         |         | 18                |
| 20                | 71.8    | 63.0t   |         |         | 68.1    | 23.9m x |         |         | 20                |
| 22                | 66.4    | 61.3    |         |         | 64.2    | 55.5t   |         |         | 22                |
| 24                | 59.8    | 55.1    |         |         | 60.1    | 55.2    |         |         | 24                |
| 26                | 52.7    | 50.0    |         |         | 54.6    | 50.1    |         |         | 26                |
| 28                | 39.3    | 45.6    |         |         | 49.9    | 45.7    |         |         | 28                |
| 30                | 28.5m x | 41.8    | 32.3m x |         | 45.9    | 42.0    |         |         | 30                |
| 32                | 35.6t   | 38.6    | 31.6t   |         | 41.5    | 38.7    | 35.7m x |         | 32                |
| 34                |         | 35.7    | 29.5    |         | 31.9    | 35.9    | 27.6t   |         | 34                |
| 36                |         | 34.5m x | 27.3    |         | 34.3m x | 33.4    | 27.3    |         | 36                |
| 38                |         | 35.0t   | 25.4    |         | 30.3t   | 31.2    | 25.4    |         | 38                |
| 40                |         |         | 23.7    | 42.2m x |         | 29.2    | 23.7    |         | 40                |
| 42                |         |         | 41.7m x | 17.2t   |         | 40.3m x | 22.2    |         | 42                |
| 44                |         |         | 22.3t   | 16.2    |         | 28.9t   | 20.8    | 46.4m x | 44                |
| 46                |         |         |         | 15.1    |         |         | 19.5    | 14.8t   | 46                |
| 48                |         |         |         | 14.1    |         |         | 47.5m x | 14.1    | 48                |
| 50                |         |         |         | 48.4m x |         |         | 18.7t   | 13.2    | 50                |
| 52                |         |         |         | 13.9t   |         |         |         | 12.4    | 52                |
| 54                |         |         |         |         |         |         |         | 11.7    | 54                |
| 56                |         |         |         |         |         |         |         | 54.2m x | 56                |
| 58                |         |         |         |         |         |         |         | 11.6t   | 58                |

| Boom Length (m)   | 42      |         |         |         |         |         |         |         | Boom Length (m)   |
|-------------------|---------|---------|---------|---------|---------|---------|---------|---------|-------------------|
| Jib Length (m)    | 36      |         |         |         | 42      |         |         |         | Jib Length (m)    |
| Boom Angle (deg.) | 88      | 80      | 70      | 60      | 88      | 80      | 70      | 60      | Boom Angle (deg.) |
| Radius (m)        |         |         |         |         |         |         |         |         | Radius (m)        |
| 14                | 16.3m x |         |         |         |         |         |         |         | 14                |
| 16                | 71.9t   |         |         |         |         |         |         |         | 16                |
| 18                | 68.1    |         |         |         | 63.8    |         |         |         | 18                |
| 20                | 64.1    |         |         |         | 60.1    |         |         |         | 20                |
| 22                | 60.3    |         |         |         | 56.8    |         |         |         | 22                |
| 24                | 57.1    | 26.3m x |         |         | 53.6    |         |         |         | 24                |
| 26                | 53.8    | 48.4t   |         |         | 50.9    | 28.8m x |         |         | 26                |
| 28                | 49.1    | 44.7    |         |         | 48.4    | 42.5t   |         |         | 28                |
| 30                | 45.1    | 41.0    |         |         | 44.5    | 40.3    |         |         | 30                |
| 32                | 41.6    | 37.8    |         |         | 41.0    | 37.1    |         |         | 32                |
| 34                | 38.5    | 35.0    |         |         | 38.0    | 34.3    |         |         | 34                |
| 36                | 35.8    | 32.5    | 39.0m x |         | 35.3    | 31.8    |         |         | 36                |
| 38                | 33.0    | 30.2    | 23.5t   |         | 32.9    | 29.6    |         |         | 38                |
| 40                | 25.7    | 28.2    | 22.7    |         | 30.7    | 27.6    | 42.4m x |         | 40                |
| 42                | 40.1m x | 26.5    | 21.1    |         | 28.8    | 25.8    | 20.1t   |         | 42                |
| 44                | 25.3t   | 24.9    | 19.8    |         | 26.7    | 24.2    | 19.0    |         | 44                |
| 46                |         | 23.4    | 18.5    |         | 45.9m x | 22.7    | 17.7    |         | 46                |
| 48                |         | 46.1m x | 17.4    | 50.6m x | 21.3t   | 21.4    | 16.6    |         | 48                |
| 50                |         | 23.3t   | 16.4    | 11.8t   |         | 20.2    | 15.6    |         | 50                |
| 52                |         |         | 15.4    | 11.3    |         | 51.9m x | 14.6    | 54.7m x | 52                |
| 54                |         |         | 53.3m x | 10.6    |         | 19.1t   | 13.8    | 9.5t    | 54                |
| 56                |         |         | 14.9t   | 9.9     |         |         | 13.0    | 9.0     | 56                |
| 58                |         |         |         | 9.3     |         |         | 12.2    | 8.4     | 58                |
| 60                |         |         |         | 8.8     |         |         | 59.1m x | 7.9     | 60                |
| 62                |         |         |         |         |         |         | 11.8t   | 7.3     | 62                |
| 64                |         |         |         |         |         |         |         | 6.9     | 64                |
| 66                |         |         |         |         |         |         |         | 65.8m x | 66                |
| 68                |         |         |         |         |         |         |         | 6.5t    | 68                |

\* For notes about the table above, refer to page 60.

■ Tower 42 m (Rear end Radius: Short)



| Unit: ton         |         |         |         |         |         |         |                 |
|-------------------|---------|---------|---------|---------|---------|---------|-----------------|
| Boom Length (m)   | 42      |         |         |         |         |         | Boom Length (m) |
| Jib Length (m)    | 48      |         |         | 54      |         |         | Jib Length (m)  |
| Boom Angle (deg.) | 88      | 80      | 70      | 60      | 88      | 80      | 70              |
| Radius (m)        |         |         |         |         |         |         | Radius (m)      |
| 16                | 19.7m x |         |         |         |         |         | 16              |
| 18                | 54.9t   |         |         |         | 21.4m x |         | 18              |
| 20                | 54.8    |         |         |         | 46.8t   |         | 20              |
| 22                | 53.4    |         |         |         | 46.5    |         | 22              |
| 24                | 50.6    |         |         |         | 45.6    |         | 24              |
| 26                | 47.9    |         |         |         | 44.7    |         | 26              |
| 28                | 45.6    | 31.2m x |         |         | 42.7    |         | 28              |
| 30                | 43.5    | 37.9t   |         |         | 40.7    | 33.7m x | 30              |
| 32                | 40.7    | 36.6    |         |         | 38.9    | 33.3t   | 32              |
| 34                | 37.6    | 33.8    |         |         | 36.8    | 32.9    | 34              |
| 36                | 34.9    | 31.3    |         |         | 34.1    | 30.4    | 36              |
| 38                | 32.5    | 29.1    |         |         | 31.7    | 28.2    | 38              |
| 40                | 30.4    | 27.1    |         |         | 29.6    | 26.2    | 40              |
| 42                | 28.4    | 25.4    | 45.7m x |         | 27.6    | 24.4    | 42              |
| 44                | 26.7    | 23.7    | 17.4t   |         | 25.9    | 22.8    | 44              |
| 46                | 25.1    | 22.3    | 17.2    |         | 24.3    | 21.4    | 46              |
| 48                | 23.6    | 20.9    | 16.1    |         | 22.8    | 20.0    | 48              |
| 50                | 22.0    | 19.7    | 15.1    |         | 21.5    | 18.8    | 50              |
| 52                | 51.7m x | 18.6    | 14.1    |         | 20.3    | 17.7    | 52              |
| 54                | 18.2t   | 17.5    | 13.2    |         | 19.1    | 16.7    | 54              |
| 56                |         | 16.6    | 12.4    | 58.9m x | 18.0    | 15.7    | 56              |
| 58                |         | 57.7m x | 11.7    | 7.6t    | 57.4m x | 14.8    | 58              |
| 60                |         | 15.8t   | 11.0    | 7.3     | 15.4t   | 14.0    | 60              |
| 62                |         |         | 10.3    | 6.8     |         | 13.2    | 62              |
| 64                |         |         | 9.7     | 6.3     |         | 63.5m x | 64              |
| 66                |         |         | 64.9m x | 5.8     |         | 12.7t   | 66              |
| 68                |         |         | 9.5t    | 5.4     |         |         | 68              |
| 70                |         |         |         | 5.0     |         |         | 70              |
| 72                |         |         |         |         |         | 70.7m x | 72              |
| 74                |         |         |         |         |         | 7.1t    | 74              |

| Unit: ton         |         |         |         |                   |
|-------------------|---------|---------|---------|-------------------|
| Boom Length (m)   | 42      |         |         | Boom Length (m)   |
| Jib Length (m)    | 60      |         |         | Jib Length (m)    |
| Boom Angle (deg.) | 88      | 80      | 70      | Boom Angle (deg.) |
| Radius (m)        |         |         |         | Radius (m)        |
| 20                | 23.1m x |         |         | 20                |
| 22                | 39.7t   |         |         | 22                |
| 24                | 39.2    |         |         | 24                |
| 26                | 36.7    |         |         | 26                |
| 28                | 34.4    |         |         | 28                |
| 30                | 32.3    |         |         | 30                |
| 32                | 30.5    |         |         | 32                |
| 34                | 28.8    | 36.1m x |         | 34                |
| 36                | 27.2    | 29.7t   |         | 36                |
| 38                | 25.8    | 27.6    |         | 38                |
| 40                | 24.5    | 25.7    |         | 40                |
| 42                | 23.3    | 23.9    |         | 42                |
| 44                | 22.2    | 22.3    |         | 44                |
| 46                | 21.2    | 20.8    |         | 46                |
| 48                | 20.3    | 19.5    |         | 48                |
| 50                | 19.4    | 18.3    | 52.4m x | 50                |
| 52                | 18.7    | 17.1    | 12.3t   | 52                |
| 54                | 17.9    | 16.1    | 11.6    | 54                |
| 56                | 17.3    | 15.1    | 10.8    | 56                |
| 58                | 16.6    | 14.2    | 10.1    | 58                |
| 60                | 15.7    | 13.4    | 9.4     | 60                |
| 62                | 14.8    | 12.6    | 8.7     | 62                |
| 64                | 63.2m x | 11.9    | 8.1     | 64                |
| 66                | 13.0t   | 11.2    | 7.6     | 66                |
| 68                |         | 10.6    | 7.0     | 68                |
| 70                |         | 69.2m x | 6.5     | 70                |
| 72                |         | 10.3t   | 6.1     | 72                |
| 74                |         |         | 5.6     | 74                |
| 76                |         |         | 5.2     | 76                |
| 78                |         |         | 76.5m x | 78                |
| 80                |         |         | 5.1t    | 80                |

\* For notes about the table above, refer to page 60.

■ Tower 48 m (Rear end Radius: Short)



Unit: ton

| Boom Length (m)   | 48      |         |         |         |         |         |         |         | Boom Length (m)   |
|-------------------|---------|---------|---------|---------|---------|---------|---------|---------|-------------------|
| Jib Length (m)    | 24      |         |         |         | 30      |         |         |         | Jib Length (m)    |
| Boom Angle (deg.) | 88      | 80      | 70      | 60      | 88      | 80      | 70      | 60      | Boom Angle (deg.) |
| Radius (m)        |         |         |         |         |         |         |         |         | Radius (m)        |
| 10                | 13.2m x |         |         |         |         |         |         |         | 10                |
| 12                | 83.4t   |         |         |         | 14.9m x |         |         |         | 12                |
| 14                | 81.2    |         |         |         | 74.3t   |         |         |         | 14                |
| 16                | 75.8    |         |         |         | 71.7    |         |         |         | 16                |
| 18                | 71.0    |         |         |         | 67.4    |         |         |         | 18                |
| 20                | 66.9    | 22.5m x |         |         | 63.4    |         |         |         | 20                |
| 22                | 63.5    | 57.4t   |         |         | 59.9    | 24.9m x |         |         | 22                |
| 24                | 59.1    | 53.1    |         |         | 56.9    | 50.5t   |         |         | 24                |
| 26                | 53.6    | 48.1    |         |         | 53.7    | 47.9    |         |         | 26                |
| 28                | 41.1    | 43.9    |         |         | 49.1    | 43.7    |         |         | 28                |
| 30                | 28.7m x | 40.2    |         |         | 45.1    | 40.1    |         |         | 30                |
| 32                | 36.0t   | 37.1    | 34.4m x |         | 41.6    | 37.0    |         |         | 32                |
| 34                |         | 34.3    | 26.5t   |         | 33.2    | 34.2    | 37.7m x |         | 34                |
| 36                |         | 35.5m x | 24.9    |         | 34.5m x | 31.8    | 23.2t   |         | 36                |
| 38                |         | 32.4t   | 23.2    |         | 30.6t   | 29.7    | 22.9    |         | 38                |
| 40                |         |         | 21.5    |         |         | 27.7    | 21.3    |         | 40                |
| 42                |         |         | 20.1    | 45.2m x |         | 41.3m x | 19.9    |         | 42                |
| 44                |         |         | 43.8m x | 12.8t   |         | 26.6t   | 18.6    |         | 44                |
| 46                |         |         | 18.9t   | 12.5    |         |         | 17.4    | 49.4m x | 46                |
| 48                |         |         |         | 11.6    |         |         | 16.4    | 10.8t   | 48                |
| 50                |         |         |         | 10.8    |         |         | 49.5m x | 10.5    | 50                |
| 52                |         |         |         | 51.4m x |         |         | 15.6t   | 9.8     | 52                |
| 54                |         |         |         | 10.3t   |         |         |         | 9.2     | 54                |
| 56                |         |         |         |         |         |         |         | 8.6     | 56                |
| 58                |         |         |         |         |         |         |         | 57.2m x | 58                |
| 60                |         |         |         |         |         |         |         | 8.3t    | 60                |

Unit: ton

| Boom Length (m)   | 48      |         |         |         |         |         |         |         | Boom Length (m)   |
|-------------------|---------|---------|---------|---------|---------|---------|---------|---------|-------------------|
| Jib Length (m)    | 36      |         |         |         | 42      |         |         |         | Jib Length (m)    |
| Boom Angle (deg.) | 88      | 80      | 70      | 60      | 88      | 80      | 70      | 60      | Boom Angle (deg.) |
| Radius (m)        |         |         |         |         |         |         |         |         | Radius (m)        |
| 14                | 16.6m x |         |         |         |         |         |         |         | 14                |
| 16                | 64.5t   |         |         |         | 18.3m x |         |         |         | 16                |
| 18                | 63.0    |         |         |         | 55.2t   |         |         |         | 18                |
| 20                | 59.5    |         |         |         | 54.1    |         |         |         | 20                |
| 22                | 56.2    |         |         |         | 52.6    |         |         |         | 22                |
| 24                | 53.2    | 27.4m x |         |         | 49.8    |         |         |         | 24                |
| 26                | 50.7    | 44.2t   |         |         | 47.4    | 29.8m x |         |         | 26                |
| 28                | 48.4    | 43.0    |         |         | 45.2    | 39.1t   |         |         | 28                |
| 30                | 44.6    | 39.4    |         |         | 43.2    | 38.7    |         |         | 30                |
| 32                | 41.1    | 36.3    |         |         | 40.6    | 35.6    |         |         | 32                |
| 34                | 38.1    | 33.6    |         |         | 37.6    | 32.9    |         |         | 34                |
| 36                | 35.4    | 31.1    |         |         | 34.9    | 30.5    |         |         | 36                |
| 38                | 33.0    | 29.0    | 41.1m x |         | 32.5    | 28.4    |         |         | 38                |
| 40                | 26.8    | 27.1    | 19.7t   |         | 30.4    | 26.4    |         |         | 40                |
| 42                | 40.3m x | 25.3    | 19.1    |         | 28.5    | 24.7    | 44.4m x |         | 42                |
| 44                | 25.6t   | 23.8    | 17.8    |         | 26.7    | 23.1    | 16.8t   |         | 44                |
| 46                |         | 22.4    | 16.7    |         | 21.9    | 21.7    | 15.9    |         | 46                |
| 48                |         | 47.1m x | 15.6    |         | 46.1m x | 20.4    | 14.8    |         | 48                |
| 50                |         | 21.6t   | 14.6    | 53.6m x | 21.6t   | 19.2    | 13.9    |         | 50                |
| 52                |         |         | 13.7    | 8.4t    |         | 18.1    | 13.0    |         | 52                |
| 54                |         |         | 12.9    | 8.3     |         | 52.9m x | 12.2    | 57.7m x | 54                |
| 56                |         |         | 55.3m x | 7.7     |         | 17.7t   | 11.4    | 6.4t    | 56                |
| 58                |         |         | 12.4t   | 7.2     |         |         | 10.7    | 6.3     | 58                |
| 60                |         |         |         | 6.7     |         |         | 10.1    | 5.8     | 60                |
| 62                |         |         |         | 6.2     |         |         | 61.1m x | 5.4     | 62                |
| 64                |         |         |         | 63.0m x |         |         | 9.7t    | 63.7m x | 64                |
| 66                |         |         |         | 6.0t    |         |         |         | 5.0t    | 66                |

\* For notes about the table above, refer to page 60.



■ Tower 48 m (Rear end Radius: Short)



| Unit: ton         |         |         |         |         |         |         |                   |
|-------------------|---------|---------|---------|---------|---------|---------|-------------------|
| Boom Length (m)   | 48      |         |         |         |         |         | Boom Length (m)   |
| Jib Length (m)    | 48      |         |         | 54      |         |         | Jib Length (m)    |
| Boom Angle (deg.) | 88      | 80      | 70      | 88      | 80      | 70      | Boom Angle (deg.) |
| Radius (m)        |         |         |         |         |         |         | Radius (m)        |
| 18                |         |         |         | 21.7m x |         |         | 18                |
| 20                | 47.7    |         |         | 41.0t   |         |         | 20                |
| 22                | 46.6    |         |         | 40.9    |         |         | 22                |
| 24                | 45.6    |         |         | 40.1    |         |         | 24                |
| 26                | 44.5    |         |         | 39.3    |         |         | 26                |
| 28                | 42.4    |         |         | 38.5    |         |         | 28                |
| 30                | 40.5    | 32.3m x |         | 37.7    |         |         | 30                |
| 32                | 38.7    | 34.4t   |         | 36.1    | 34.7m x |         | 32                |
| 34                | 37.0    | 32.1    |         | 34.6    | 30.7t   |         | 34                |
| 36                | 34.3    | 29.7    |         | 33.2    | 29.2    |         | 36                |
| 38                | 31.9    | 27.6    |         | 31.5    | 27.0    |         | 38                |
| 40                | 29.8    | 25.7    |         | 29.3    | 25.1    |         | 40                |
| 42                | 27.9    | 24.0    |         | 27.4    | 23.4    |         | 42                |
| 44                | 26.1    | 22.4    | 47.8m x | 25.7    | 21.9    |         | 44                |
| 46                | 24.6    | 21.0    | 14.1t   | 24.1    | 20.4    |         | 46                |
| 48                | 23.1    | 19.7    | 14.0    | 22.6    | 19.2    | 51.1m x | 48                |
| 50                | 21.8    | 18.5    | 13.1    | 21.3    | 18.0    | 11.9t   | 50                |
| 52                | 51.9m x | 17.5    | 12.2    | 20.1    | 16.9    | 11.5    | 52                |
| 54                | 18.3t   | 16.5    | 11.4    | 19.0    | 15.9    | 10.7    | 54                |
| 56                |         | 15.5    | 10.6    | 17.9    | 14.9    | 10.0    | 56                |
| 58                |         | 14.7    | 10.0    | 57.7m x | 14.1    | 9.3     | 58                |
| 60                |         | 58.7m x | 9.3     | 15.5t   | 13.3    | 8.6     | 60                |
| 62                |         | 14.4t   | 8.7     |         | 12.5    | 8.0     | 62                |
| 64                |         |         | 8.2     |         | 11.8    | 7.5     | 64                |
| 66                |         |         | 7.7     |         | 64.5m x | 7.0     | 66                |
| 68                |         |         | 66.9m x |         | 11.7t   | 6.5     | 68                |
| 70                |         |         | 7.4t    |         |         | 6.0     | 70                |
| 72                |         |         |         |         |         | 5.6     | 72                |
| 74                |         |         |         |         |         | 72.7m x | 74                |
| 76                |         |         |         |         |         | 5.4t    | 76                |

| Unit: ton         |         |         |         |                   |  |  |
|-------------------|---------|---------|---------|-------------------|--|--|
| Boom Length (m)   | 48      |         |         | Boom Length (m)   |  |  |
| Jib Length (m)    | 60      |         |         | Jib Length (m)    |  |  |
| Boom Angle (deg.) | 88      | 80      | 70      | Boom Angle (deg.) |  |  |
| Radius (m)        |         |         |         | Radius (m)        |  |  |
| 20                | 23.4m x |         |         | 20                |  |  |
| 22                | 35.6t   |         |         | 22                |  |  |
| 24                | 35.4    |         |         | 24                |  |  |
| 26                | 34.7    |         |         | 26                |  |  |
| 28                | 34.1    |         |         | 28                |  |  |
| 30                | 32.5    |         |         | 30                |  |  |
| 32                | 30.6    |         |         | 32                |  |  |
| 34                | 28.9    | 37.1m x |         | 34                |  |  |
| 36                | 27.3    | 27.0t   |         | 36                |  |  |
| 38                | 25.9    | 26.1    |         | 38                |  |  |
| 40                | 24.6    | 24.2    |         | 40                |  |  |
| 42                | 23.4    | 22.5    |         | 42                |  |  |
| 44                | 22.3    | 21.0    |         | 44                |  |  |
| 46                | 21.3    | 19.5    |         | 46                |  |  |
| 48                | 20.3    | 18.3    |         | 48                |  |  |
| 50                | 19.5    | 17.1    |         | 50                |  |  |
| 52                | 18.7    | 16.0    | 54.5m x | 52                |  |  |
| 54                | 17.9    | 15.0    | 9.5t    | 54                |  |  |
| 56                | 17.2    | 14.1    | 9.0     | 56                |  |  |
| 58                | 16.2    | 13.2    | 8.3     | 58                |  |  |
| 60                | 15.3    | 12.4    | 7.7     | 60                |  |  |
| 62                | 14.5    | 11.7    | 7.1     | 62                |  |  |
| 64                | 63.5m x | 11.0    | 6.5     | 64                |  |  |
| 66                | 13.0t   | 10.3    | 6.0     | 66                |  |  |
| 68                |         | 9.7     | 5.5     | 68                |  |  |
| 70                |         | 9.2     | 5.1     | 70                |  |  |
| 72                |         | 70.3m x | 70.4m x | 72                |  |  |
| 74                |         | 9.1t    | 5.0t    | 74                |  |  |

\* For notes about the table above, refer to page 60.

■ Tower 54 m (Rear end Radius: Short)



Unit: ton

| Boom Length (m)   | 54      |         |         |         |         |         |         |         | Boom Length (m)   |
|-------------------|---------|---------|---------|---------|---------|---------|---------|---------|-------------------|
| Jib Length (m)    | 24      |         |         |         | 30      |         |         |         | Jib Length (m)    |
| Boom Angle (deg.) | 88      | 80      | 70      | 60      | 88      | 80      | 70      | 60      | Boom Angle (deg.) |
| Radius (m)        |         |         |         |         |         |         |         |         | Radius (m)        |
| 10                | 13.4m x |         |         |         |         |         |         |         | 10                |
| 12                | 72.4t   |         |         |         | 15.1m x |         |         |         | 12                |
| 14                | 71.6    |         |         |         | 62.8t   |         |         |         | 14                |
| 16                | 68.2    |         |         |         | 61.9    |         |         |         | 16                |
| 18                | 64.0    |         |         |         | 60.0    |         |         |         | 18                |
| 20                | 60.3    | 23.5m x |         |         | 57.2    |         |         |         | 20                |
| 22                | 57.2    | 52.4t   |         |         | 54.2    |         |         |         | 22                |
| 24                | 54.6    | 51.1    |         |         | 51.5    |         |         |         | 24                |
| 26                | 52.5    | 46.3    |         |         | 49.2    | 46.1    |         |         | 26                |
| 28                | 42.7    | 42.2    |         |         | 47.1    | 42.0    |         |         | 28                |
| 30                | 28.9m x | 38.7    |         |         | 44.7    | 38.5    |         |         | 30                |
| 32                | 36.3t   | 35.6    |         |         | 41.2    | 35.5    |         |         | 32                |
| 34                |         | 32.9    | 36.4m x |         | 34.4    | 32.9    |         |         | 34                |
| 36                |         | 30.5    | 22.2t   |         | 34.7m x | 30.5    | 39.8m x |         | 36                |
| 38                |         | 36.6m x | 20.9    |         | 30.8t   | 28.4    | 19.3t   |         | 38                |
| 40                |         | 29.8t   | 19.4    |         |         | 26.6    | 19.1    |         | 40                |
| 42                |         |         | 18.0    |         |         | 24.9    | 17.8    |         | 42                |
| 44                |         |         | 16.8    |         |         | 42.4m x | 16.6    |         | 44                |
| 46                |         |         | 45.8m x | 48.2m x |         | 24.5t   | 15.5    |         | 46                |
| 48                |         |         | 15.8t   | 9.0t    |         |         | 14.5    |         | 48                |
| 50                |         |         |         | 8.3     |         |         | 13.6    | 52.4m x | 50                |
| 52                |         |         |         | 7.7     |         |         | 51.6m x | 7.3t    | 52                |
| 54                |         |         |         | 7.1     |         |         | 13.0t   | 6.9     | 54                |
| 56                |         |         |         | 54.4m x |         |         |         | 6.3     | 56                |
| 58                |         |         |         | 7.0t    |         |         |         | 5.9     | 58                |
| 60                |         |         |         |         |         |         |         | 5.4     | 60                |
| 62                |         |         |         |         |         |         |         | 60.2m x | 62                |
| 64                |         |         |         |         |         |         |         | 5.4t    | 64                |

| Boom Length (m)   | 54      |         |         |         |         |         |         | Boom Length (m)   |
|-------------------|---------|---------|---------|---------|---------|---------|---------|-------------------|
| Jib Length (m)    | 36      |         |         | 42      |         |         |         | Jib Length (m)    |
| Boom Angle (deg.) | 88      | 80      | 70      | 60      | 88      | 80      | 70      | Boom Angle (deg.) |
| Radius (m)        |         |         |         |         |         |         |         | Radius (m)        |
| 14                | 16.8m x |         |         |         |         |         |         | 14                |
| 16                | 54.4t   |         |         |         | 18.5m x |         |         | 16                |
| 18                | 53.5    |         |         |         | 47.2t   |         |         | 18                |
| 20                | 52.0    |         |         |         | 46.3    |         |         | 20                |
| 22                | 50.6    |         |         |         | 45.1    |         |         | 22                |
| 24                | 48.0    |         |         |         | 44.0    |         |         | 24                |
| 26                | 45.7    | 28.4m x |         |         | 42.7    |         |         | 26                |
| 28                | 43.7    | 40.6t   |         |         | 40.7    | 30.9m x |         | 28                |
| 30                | 41.9    | 37.9    |         |         | 38.9    | 35.5t   |         | 30                |
| 32                | 40.4    | 34.9    |         |         | 37.3    | 33.9    |         | 32                |
| 34                | 37.8    | 32.2    |         |         | 35.9    | 31.2    |         | 34                |
| 36                | 35.1    | 29.9    |         |         | 34.3    | 28.9    |         | 36                |
| 38                | 32.8    | 27.8    |         |         | 32.0    | 26.9    |         | 38                |
| 40                | 27.8    | 25.9    | 43.1m x |         | 29.9    | 25.0    |         | 40                |
| 42                | 40.5m x | 24.3    | 16.4t   |         | 28.0    | 23.4    |         | 42                |
| 44                | 25.8t   | 22.7    | 15.8    |         | 26.3    | 21.8    | 46.5m x | 44                |
| 46                |         | 21.4    | 14.8    |         | 22.7    | 20.5    | 13.5t   | 46                |
| 48                |         | 20.1    | 13.8    |         | 46.3m x | 19.2    | 12.7    | 48                |
| 50                |         | 48.1m x | 12.9    |         | 21.7t   | 18.1    | 11.9    | 50                |
| 52                |         | 20.0t   | 12.1    |         |         | 17.0    | 11.1    | 52                |
| 54                |         |         | 11.3    | 56.6m x |         | 53.9m x | 10.3    | 54                |
| 56                |         |         | 10.6    | 5.3t    |         | 16.1t   | 9.6     | 56                |
| 58                |         |         | 57.4m x | 5.0     |         |         | 9.0     | 58                |
| 60                |         |         | 10.1t   | 58.2m x |         |         | 8.4     | 60                |
| 62                |         |         |         | 5.0t    |         |         | 7.8     | 62                |
| 64                |         |         |         |         |         |         | 63.2m x | 64                |
| 66                |         |         |         |         |         |         | 7.5t    | 66                |

\* For notes about the table above, refer to page 60.

■ Tower 54 m (Rear end Radius: Short)



Unit: ton

| Boom Length (m)   |         | 54 |         |         |         |      |         | Boom Length (m) |    |                   |    |
|-------------------|---------|----|---------|---------|---------|------|---------|-----------------|----|-------------------|----|
| Jib Length (m)    |         | 48 |         |         | 54      |      |         | Jib Length (m)  |    |                   |    |
| Boom Angle (deg.) |         | 88 |         | 80      | 70      | 88   |         | 80              | 70 | Boom Angle (deg.) |    |
| Radius (m)        |         | 88 |         | 80      | 70      | 88   |         | 80              | 70 | Radius (m)        |    |
| 18                | 20.3m x |    |         |         |         |      |         |                 |    |                   | 18 |
| 20                | 40.9t   |    |         |         |         |      |         |                 |    |                   | 20 |
| 22                | 40.2    |    |         |         |         | 35.9 |         |                 |    |                   | 22 |
| 24                | 39.3    |    |         |         |         | 35.1 |         |                 |    |                   | 24 |
| 26                | 38.4    |    |         |         |         | 34.4 |         |                 |    |                   | 26 |
| 28                | 37.5    |    |         |         |         | 33.7 |         |                 |    |                   | 28 |
| 30                | 36.3    |    | 33.3m x |         |         | 33.0 |         |                 |    |                   | 30 |
| 32                | 34.8    |    | 31.7t   |         |         | 32.2 | 35.7m x |                 |    |                   | 32 |
| 34                | 33.4    |    | 30.8    |         |         | 30.9 | 27.9t   |                 |    |                   | 34 |
| 36                | 32.1    |    | 28.5    |         |         | 29.6 | 27.6    |                 |    |                   | 36 |
| 38                | 31.0    |    | 26.5    |         |         | 28.5 | 25.5    |                 |    |                   | 38 |
| 40                | 29.6    |    | 24.6    |         |         | 27.5 | 23.7    |                 |    |                   | 40 |
| 42                | 27.7    |    | 23.0    |         |         | 26.6 | 22.0    |                 |    |                   | 42 |
| 44                | 26.0    |    | 21.5    |         |         | 25.2 | 20.5    |                 |    |                   | 44 |
| 46                | 24.4    |    | 20.1    | 49.8m x |         | 23.6 | 19.2    |                 |    |                   | 46 |
| 48                | 23.0    |    | 18.8    | 11.5t   |         | 22.2 | 17.9    |                 |    |                   | 48 |
| 50                | 21.7    |    | 17.7    | 11.4    |         | 20.9 | 16.8    | 53.2m x         |    |                   | 50 |
| 52                | 18.8    |    | 16.6    | 10.6    |         | 19.7 | 15.8    | 9.1t            |    |                   | 52 |
| 54                | 52.1m x |    | 15.7    | 9.8     |         | 18.6 | 14.8    | 8.8             |    |                   | 54 |
| 56                | 18.5t   |    | 14.8    | 9.1     |         | 17.6 | 13.9    | 8.1             |    |                   | 56 |
| 58                |         |    | 13.9    | 8.5     | 57.9m x |      | 13.1    | 7.5             |    |                   | 58 |
| 60                |         |    | 59.7m x | 7.9     | 15.6t   |      | 12.3    | 6.9             |    |                   | 60 |
| 62                |         |    | 13.3t   | 7.4     |         |      | 11.6    | 6.4             |    |                   | 62 |
| 64                |         |    |         | 6.8     |         |      | 10.9    | 5.9             |    |                   | 64 |
| 66                |         |    |         | 6.3     |         |      | 65.5m x | 5.4             |    |                   | 66 |
| 68                |         |    |         | 5.9     |         |      | 10.5t   | 67.7m x         |    |                   | 68 |
| 70                |         |    |         | 69.0m x |         |      |         | 5.0t            |    |                   | 70 |
| 72                |         |    |         | 5.7t    |         |      |         |                 |    |                   | 72 |

Unit: ton

| Boom Length (m)   |         | 54 |         | Boom Length (m) |  |                   |    |
|-------------------|---------|----|---------|-----------------|--|-------------------|----|
| Jib Length (m)    |         | 60 |         | Jib Length (m)  |  |                   |    |
| Boom Angle (deg.) |         | 88 |         | 80              |  | Boom Angle (deg.) |    |
| Radius (m)        |         | 88 |         | 80              |  | Radius (m)        |    |
| 20                | 23.7m x |    |         |                 |  |                   | 20 |
| 22                | 31.0t   |    |         |                 |  |                   | 22 |
| 24                | 31.0    |    |         |                 |  |                   | 24 |
| 26                | 30.6    |    |         |                 |  |                   | 26 |
| 28                | 30.0    |    |         |                 |  |                   | 28 |
| 30                | 29.4    |    |         |                 |  |                   | 30 |
| 32                | 28.9    |    |         |                 |  |                   | 32 |
| 34                | 28.3    |    |         |                 |  |                   | 34 |
| 36                | 26.9    |    | 38.2m x |                 |  |                   | 36 |
| 38                | 25.5    |    | 24.8t   |                 |  |                   | 38 |
| 40                | 24.3    |    | 23.2    |                 |  |                   | 40 |
| 42                | 23.1    |    | 21.5    |                 |  |                   | 42 |
| 44                | 22.0    |    | 20.0    |                 |  |                   | 44 |
| 46                | 21.1    |    | 18.7    |                 |  |                   | 46 |
| 48                | 20.2    |    | 17.4    |                 |  |                   | 48 |
| 50                | 19.3    |    | 16.3    |                 |  |                   | 50 |
| 52                | 18.5    |    | 15.2    |                 |  |                   | 52 |
| 54                | 17.8    |    | 14.3    |                 |  |                   | 54 |
| 56                | 17.1    |    | 13.4    |                 |  |                   | 56 |
| 58                | 16.1    |    | 12.5    |                 |  |                   | 58 |
| 60                | 15.2    |    | 11.8    |                 |  |                   | 60 |
| 62                | 14.4    |    | 11.0    |                 |  |                   | 62 |
| 64                | 63.4m x |    | 10.4    |                 |  |                   | 64 |
| 66                | 13.3t   |    | 9.7     |                 |  |                   | 66 |
| 68                |         |    | 9.1     |                 |  |                   | 68 |
| 70                |         |    | 8.6     |                 |  |                   | 70 |
| 72                |         |    | 71.1m x |                 |  |                   | 72 |
| 74                |         |    | 8.3t    |                 |  |                   | 74 |

\* For notes about the table above, refer to page 60.

## ■ Tower 24m Tower Head Hoisting (Rear end Radius: Standard)



Unit: ton

| Boom Length (m)     | 24               |                  |                  |                  |                  |                  |                  | Boom Length (m)     |
|---------------------|------------------|------------------|------------------|------------------|------------------|------------------|------------------|---------------------|
| Jib Length (m)      | 24               | 30               | 36               | 42               | 48               | 54               | 60               | Jib Length (m)      |
| Offset angle (deg.) | 14               | 14               | 14               | 14               | 14               | 14               | 14               | Offset angle (deg.) |
| Working Radius (m)  | 14               | 14               | 14               | 14               | 14               | 14               | 14               | Working Radius (m)  |
| 5.9                 | 100.0            | 100.0            | 100.0            | 100.0            | 100.0            | 100.0            | 100.0            | 5.9                 |
| 6                   | 100.0            | 100.0            | 100.0            | 100.0            | 100.0            | 100.0            | 100.0            | 6                   |
| 7                   | 100.0            | 100.0            | 100.0            | 100.0            | 100.0            | 100.0            | 100.0            | 7                   |
| 8                   | 100.0            | 100.0            | 100.0            | 100.0            | 100.0            | 100.0            | 100.0            | 8                   |
| 9                   | 100.0            | 100.0            | 100.0            | 100.0            | 100.0            | 100.0            | 100.0            | 9                   |
| 10                  | 100.0            | 100.0            | 100.0            | 100.0            | 100.0            | 100.0            | 100.0            | 10                  |
| 12                  | 100.0            | 100.0            | 100.0            | 100.0            | 100.0            | 100.0            | 96.6             | 12                  |
| 14                  | 99.3             | 95.6             | 89.8             | 83.7             | 77.3             | 70.6             | 63.6             | 14                  |
| 16                  | 14.8m x<br>90.7t | 14.8m x<br>87.0t | 14.8m x<br>81.3t | 14.8m x<br>75.3t | 14.8m x<br>69.0t | 14.8m x<br>62.4t | 14.8m x<br>55.5t | 16                  |
| 18                  |                  |                  |                  |                  |                  |                  |                  | 18                  |

- The rated loads are determined according to EN13000 rating on the condition that the machine is stationed on firm level ground.
- To calculate the maximum load that can actually be lifted, deduct mass of all lifting accessories, such as hook, from figures shown above.
- The figures surrounded by bold lines are based on factors other than those which would cause a tipping condition.
- Working radius is the horizontal distance from the swing center to the center of gravity of a lifted load.
- The 145 ton counter weight and 25 ton lower weight are required for all capacities on these charts.
- Figures described as OOm x OOt in the tables indicate "working radius" m x "rated load" ton.
- The usable hook when lifting tower jib refers "Restriction of Hook Usage" on page 41.  
Using the unusable hook cause the jib to swing.
- Correlation between the number of reeved lines, maximum rated loads, hook mass are shown in the table below.

| Hook Capacity | Hook Mass (ton) | Maximum Rated Load (ton) |         |         |         |         |         |        |
|---------------|-----------------|--------------------------|---------|---------|---------|---------|---------|--------|
|               |                 | 7 falls                  | 6 falls | 5 falls | 4 falls | 3 falls | 2 falls | 1 fall |
| 180t          | 3.34            | 100                      | 90      | 76      | 61      | -       | -       | -      |
| 100t          | 3.11            | 100                      | 90      | 76      | 61      | 46      | 31      | -      |
| 45t           | 2.17            | -                        | -       | -       | -       | 45      | 31      | -      |
| 15t           | 0.62            | -                        | -       | -       | -       | -       | -       | 15     |

- The necessary mass to lower the jib hook refers "Lowerable Jib Hook Mass" on page 42.
- The necessary mass to lower the tower head hook refers "Lowerable Tower Head Hook Mass" on page 42.
- Be sure to attach the balance weight (420 kg x 2) to the jib top when the jib length is 24 m.
- Remove the sheave block the boom top when using jib length 54 or 60 m for boom length 60 m.
- The gross rated load value of the jib with the sheave block the boom top is after 1.1 ton is deducted from the gross rated load of the jib.

■ Tower 30m Tower Head Hoisting (Rear end Radius: Standard)



Unit: ton

| Boom Length (m)     | 30      |         |         |         |         |         |         | Boom Length (m)     |
|---------------------|---------|---------|---------|---------|---------|---------|---------|---------------------|
| Jib Length (m)      | 24      | 30      | 36      | 42      | 48      | 54      | 60      | Jib Length (m)      |
| Offset angle (deg.) | 14      |         |         |         |         |         |         | Offset angle (deg.) |
| Working Radius (m)  | 14      |         |         |         |         |         |         | Working Radius (m)  |
| 5                   | 6.5m x  | 6.5m x  | 6.5m x  | 6.5m x  | 6.5m x  | 6.5m x  | 6.5m x  | 5                   |
| 6                   | 100.0t  | 100.0t  | 100.0t  | 100.0t  | 100.0t  | 100.0t  | 100.0t  | 6                   |
| 7                   | 100.0   | 100.0   | 100.0   | 100.0   | 100.0   | 100.0   | 100.0   | 7                   |
| 8                   | 100.0   | 100.0   | 100.0   | 100.0   | 100.0   | 100.0   | 100.0   | 8                   |
| 9                   | 100.0   | 100.0   | 100.0   | 100.0   | 100.0   | 100.0   | 100.0   | 9                   |
| 10                  | 100.0   | 100.0   | 100.0   | 100.0   | 100.0   | 100.0   | 100.0   | 10                  |
| 12                  | 100.0   | 100.0   | 100.0   | 100.0   | 100.0   | 99.4    | 92.8    | 12                  |
| 14                  | 100.0   | 96.7    | 91.4    | 86.0    | 80.1    | 74.2    | 68.1    | 14                  |
| 16                  | 80.4    | 77.1    | 72.1    | 66.8    | 61.2    | 55.5    | 49.6    | 16                  |
| 18                  | 17.8m x | 17.8m x | 17.8m x | 17.8m x | 17.8m x | 17.8m x | 17.8m x | 18                  |
| 20                  | 66.8t   | 63.7t   | 58.8t   | 53.6t   | 48.2t   | 42.7t   | 36.9t   | 20                  |

■ Tower 36m Tower Head Hoisting (Rear end Radius: Standard)



Unit: ton

| Boom Length (m)     | 36      |         |         |         |         |         |         | Boom Length (m)     |
|---------------------|---------|---------|---------|---------|---------|---------|---------|---------------------|
| Jib Length (m)      | 24      | 30      | 36      | 42      | 48      | 54      | 60      | Jib Length (m)      |
| Offset angle (deg.) | 14      |         |         |         |         |         |         | Offset angle (deg.) |
| Working Radius (m)  | 14      |         |         |         |         |         |         | Working Radius (m)  |
| 6                   | 7.2m x  | 7.2m x  | 7.2m x  | 7.2m x  | 7.2m x  | 7.2m x  | 7.2m x  | 6                   |
| 7                   | 100.0t  | 100.0t  | 100.0t  | 100.0t  | 100.0t  | 100.0t  | 100.0t  | 7                   |
| 8                   | 100.0   | 100.0   | 100.0   | 100.0   | 100.0   | 100.0   | 100.0   | 8                   |
| 9                   | 100.0   | 100.0   | 100.0   | 100.0   | 100.0   | 100.0   | 100.0   | 9                   |
| 10                  | 100.0   | 100.0   | 100.0   | 100.0   | 100.0   | 100.0   | 100.0   | 10                  |
| 12                  | 100.0   | 100.0   | 100.0   | 100.0   | 100.0   | 100.0   | 94.2    | 12                  |
| 14                  | 99.9    | 96.7    | 91.9    | 86.8    | 81.3    | 75.9    | 70.1    | 14                  |
| 16                  | 80.3    | 77.3    | 72.6    | 67.8    | 62.6    | 57.4    | 52.0    | 16                  |
| 18                  | 65.5    | 62.5    | 58.1    | 53.4    | 48.4    | 43.3    | 38.1    | 18                  |
| 20                  | 53.9    | 51.0    | 46.6    | 42.1    | 37.2    | 32.3    | 27.3    | 20                  |
| 22                  | 20.8m x | 20.8m x | 20.8m x | 20.8m x | 20.8m x | 20.8m x | 20.8m x | 22                  |
| 24                  | 49.9t   | 47.1t   | 42.7t   | 38.2t   | 33.5t   | 28.6t   | 23.6t   | 24                  |

■ Tower 42m Tower Head Hoisting (Rear end Radius: Standard)



Unit: ton

| Boom Length (m)     | 42      |         |         |         |         |         |         | Boom Length (m)     |
|---------------------|---------|---------|---------|---------|---------|---------|---------|---------------------|
| Jib Length (m)      | 24      | 30      | 36      | 42      | 48      | 54      | 60      | Jib Length (m)      |
| Offset angle (deg.) | 14      |         |         |         |         |         |         | Offset angle (deg.) |
| Working Radius (m)  | 14      |         |         |         |         |         |         | Working Radius (m)  |
| 6                   | 7.9m x  | 7.9m x  | 7.9m x  | 7.9m x  | 7.9m x  | 7.9m x  | 7.9m x  | 6                   |
| 7                   | 90.0t   | 90.0t   | 90.0t   | 90.0t   | 90.0t   | 90.0t   | 90.0t   | 7                   |
| 8                   | 90.0    | 90.0    | 90.0    | 90.0    | 90.0    | 90.0    | 90.0    | 8                   |
| 9                   | 90.0    | 90.0    | 90.0    | 90.0    | 90.0    | 90.0    | 90.0    | 9                   |
| 10                  | 90.0    | 90.0    | 90.0    | 90.0    | 90.0    | 90.0    | 90.0    | 10                  |
| 12                  | 90.0    | 90.0    | 90.0    | 90.0    | 90.0    | 90.0    | 89.2    | 12                  |
| 14                  | 90.0    | 90.0    | 87.7    | 82.9    | 78.6    | 72.5    | 67.3    | 14                  |
| 16                  | 77.9    | 75.5    | 70.5    | 66.0    | 61.9    | 56.1    | 51.1    | 16                  |
| 18                  | 64.3    | 62.0    | 57.3    | 52.9    | 48.9    | 43.4    | 38.6    | 18                  |
| 20                  | 53.6    | 51.4    | 46.7    | 42.5    | 38.7    | 33.3    | 28.6    | 20                  |
| 22                  | 44.4    | 42.2    | 37.8    | 33.6    | 30.0    | 24.8    | 20.3    | 22                  |
| 24                  | 23.8m x | 23.8m x | 23.8m x | 23.8m x | 23.8m x | 23.8m x | 23.8m x | 24                  |
| 26                  | 37.4t   | 35.3t   | 31.0t   | 26.9t   | 23.3t   | 18.2t   | 13.8t   | 26                  |

\* For notes about the table above, refer to page 72.

■ Tower 48m Tower Head Hoisting (Rear end Radius: Standard)



Unit: ton

| Boom Length (m)     | 48      |         |         |         |         |         |         | Boom Length (m)     |
|---------------------|---------|---------|---------|---------|---------|---------|---------|---------------------|
| Jib Length (m)      | 24      | 30      | 36      | 42      | 48      | 54      | 60      | Jib Length (m)      |
| Offset angle (deg.) | 14      |         |         |         |         |         |         | Offset angle (deg.) |
| Working Radius (m)  | 14      |         |         |         |         |         |         | Working Radius (m)  |
| 7                   | 8.6m x  | 8.6m x  | 8.6m x  | 8.6m x  | 8.6m x  | 8.6m x  | 8.6m x  | 7                   |
| 8                   | 76.0t   | 76.0t   | 76.0t   | 76.0t   | 76.0t   | 76.0t   | 76.0t   | 8                   |
| 9                   | 76.0    | 76.0    | 76.0    | 76.0    | 76.0    | 76.0    | 76.0    | 9                   |
| 10                  | 76.0    | 76.0    | 76.0    | 76.0    | 76.0    | 76.0    | 76.0    | 10                  |
| 12                  | 76.0    | 76.0    | 76.0    | 76.0    | 76.0    | 76.0    | 76.0    | 12                  |
| 14                  | 76.0    | 76.0    | 76.0    | 76.0    | 76.0    | 73.2    | 67.1    | 14                  |
| 16                  | 76.0    | 74.4    | 70.3    | 66.0    | 61.3    | 56.8    | 51.0    | 16                  |
| 18                  | 63.7    | 61.0    | 57.0    | 53.0    | 48.4    | 44.1    | 38.5    | 18                  |
| 20                  | 53.0    | 50.4    | 46.5    | 42.6    | 38.2    | 34.0    | 28.7    | 20                  |
| 22                  | 44.1    | 41.7    | 38.0    | 34.1    | 29.9    | 25.8    | 20.6    | 22                  |
| 24                  | 36.5    | 34.1    | 30.5    | 26.8    | 22.8    | 18.8    | 13.8    | 24                  |
| 26                  | 30.0    | 27.7    | 24.2    | 20.6    | 16.6    | 12.8    | 7.9     | 26                  |
| 28                  | 26.8m x | 26.8m x | 26.8m x | 26.8m x | 26.8m x | 26.8m x | 26.8m x | 28                  |
| 30                  | 27.8t   | 25.5t   | 22.0t   | 18.3t   | 14.5t   | 10.6t   | 5.8t    | 30                  |

■ Tower 54m Tower Head Hoisting (Rear end Radius: Standard)



Unit: ton

| Boom Length (m)     | 54      |         |         |         |         |         |         | Boom Length (m)     |
|---------------------|---------|---------|---------|---------|---------|---------|---------|---------------------|
| Jib Length (m)      | 24      | 30      | 36      | 42      | 48      | 54      | 60      | Jib Length (m)      |
| Offset angle (deg.) | 14      |         |         |         |         |         |         | Offset angle (deg.) |
| Working Radius (m)  | 14      |         |         |         |         |         |         | Working Radius (m)  |
| 8                   | 9.3m x  | 9.3m x  | 9.3m x  | 9.3m x  | 9.3m x  | 9.3m x  | 9.3m x  | 8                   |
| 9                   | 61.0t   | 61.0t   | 61.0t   | 61.0t   | 61.0t   | 61.0t   | 61.0t   | 9                   |
| 10                  | 61.0    | 61.0    | 61.0    | 61.0    | 61.0    | 61.0    | 61.0    | 10                  |
| 12                  | 61.0    | 61.0    | 61.0    | 61.0    | 61.0    | 61.0    | 58.7    | 12                  |
| 14                  | 61.0    | 61.0    | 61.0    | 61.0    | 61.0    | 61.0    | 52.4    | 14                  |
| 16                  | 61.0    | 61.0    | 61.0    | 61.0    | 58.8    | 53.7    | 46.3    | 16                  |
| 18                  | 60.6    | 58.1    | 54.6    | 50.1    | 46.8    | 41.9    | 37.8    | 18                  |
| 20                  | 50.5    | 48.1    | 44.6    | 40.3    | 37.1    | 32.3    | 28.4    | 20                  |
| 22                  | 42.2    | 39.9    | 36.5    | 32.3    | 29.2    | 24.6    | 20.8    | 22                  |
| 24                  | 35.3    | 33.1    | 29.7    | 25.6    | 22.6    | 18.1    | 14.3    | 24                  |
| 26                  | 29.4    | 27.3    | 24.0    | 20.0    | 17.0    | 12.6    | 8.9     | 26                  |
| 28                  | 24.2    | 22.1    | 18.9    | 14.9    | 12.0    | 7.7     | 27.6m x | 28                  |
| 30                  | 29.8m x | 29.8m x | 29.8m x | 29.8m x | 29.8m x | 29.0m x | 5.0t    | 30                  |
| 32                  | 20.0t   | 17.9t   | 14.7t   | 10.8t   | 7.9t    | 5.0t    |         | 32                  |

■ Tower 60m Tower Head Hoisting (Rear end Radius: Standard)



Unit: ton

| Boom Length (m)     | 60      |         |         |         | Boom Length (m)     |
|---------------------|---------|---------|---------|---------|---------------------|
| Jib Length (m)      | 30      | 36      | 42      | 48      | Jib Length (m)      |
| Offset angle (deg.) | 14      |         |         |         | Offset angle (deg.) |
| Working Radius (m)  | 14      |         |         |         | Working Radius (m)  |
| 8                   | 9.9m x  | 9.9m x  | 9.9m x  | 9.9m x  | 8                   |
| 9                   | 61.0t   | 61.0t   | 61.0t   | 61.0t   | 9                   |
| 10                  | 61.0    | 61.0    | 61.0    | 61.0    | 10                  |
| 12                  | 61.0    | 61.0    | 61.0    | 61.0    | 12                  |
| 14                  | 61.0    | 61.0    | 61.0    | 56.1    | 14                  |
| 16                  | 61.0    | 61.0    | 58.7    | 50.5    | 16                  |
| 18                  | 55.4    | 51.4    | 48.0    | 44.1    | 18                  |
| 20                  | 45.9    | 42.0    | 38.7    | 35.0    | 20                  |
| 22                  | 39.2    | 35.3    | 31.9    | 28.2    | 22                  |
| 24                  | 32.3    | 28.6    | 25.3    | 21.6    | 24                  |
| 26                  | 26.5    | 22.8    | 19.6    | 16.1    | 26                  |
| 28                  | 21.6    | 18.0    | 14.8    | 11.3    | 28                  |
| 30                  | 17.1    | 13.6    | 10.5    | 7.1     | 30                  |
| 32                  | 13.1    | 9.6     | 6.5     | 31.0m x | 32                  |
| 34                  | 32.8m x | 32.8m x | 32.8m x | 5.0t    | 34                  |
| 36                  | 11.6t   | 8.1t    | 5.1t    |         | 36                  |

\* For notes about the table above, refer to page 72.

# Weights and Dimensions of Disassembled Units

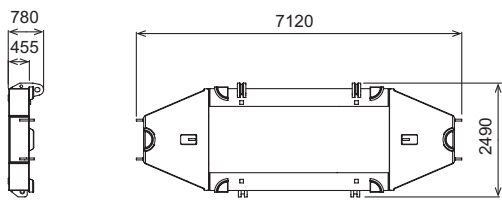
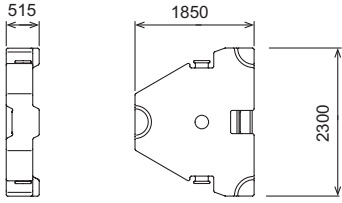
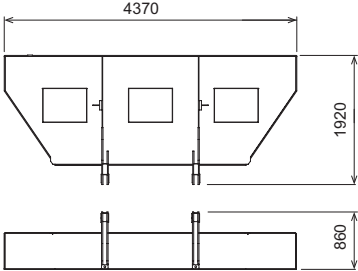
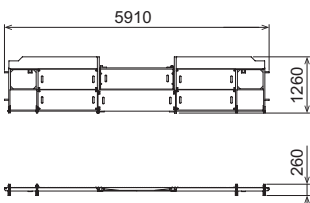
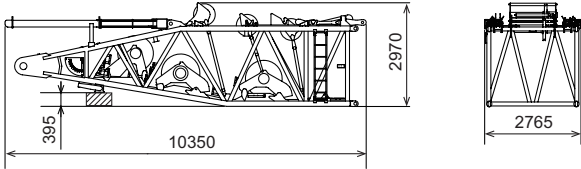

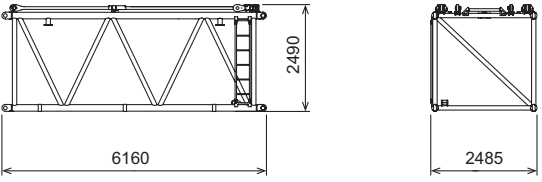
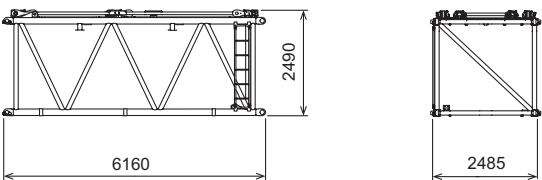
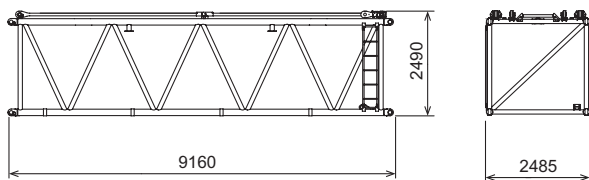
## Weights and Dimensions List

Comply with the regulations when transporting.  
"Weight" refers to the mass of each single unit.

Weights and Dimensions of Disassembled Units

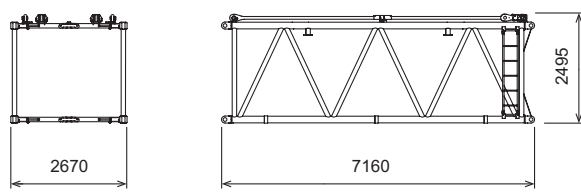
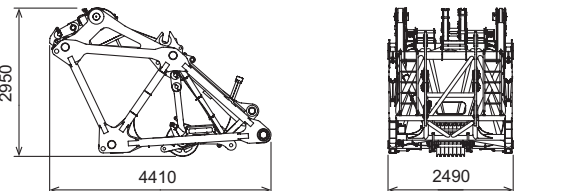
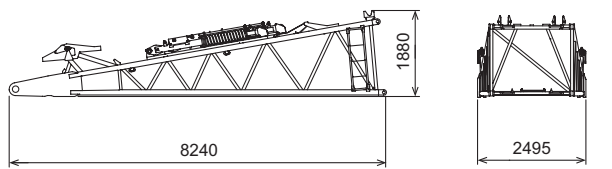
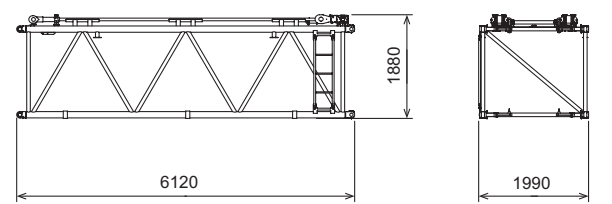
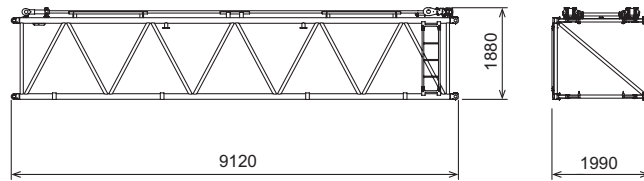
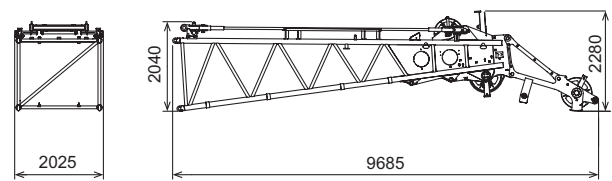
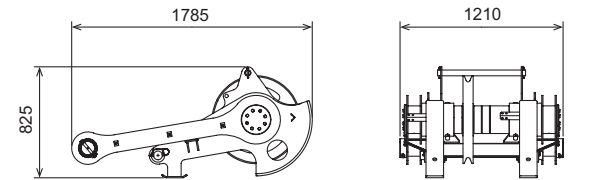
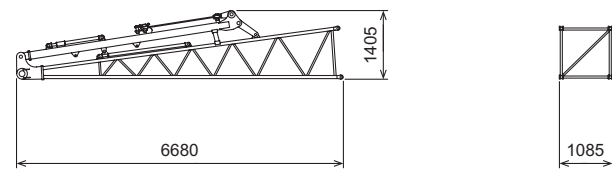
| Description  | Qty | Dimensions (mm) | Weight (kg) |
|--|-----|-----------------|-------------|
| Front revolving frame<br>+ rear revolving frame<br>Mast<br>Jacks<br>Boom hoist winch<br>(including rope)             | 1   |                 | 49250       |
| Front revolving frame<br>+ rear revolving frame<br>Mast<br>Boom hoist winch<br>(including rope)<br>without:<br>Jacks | 1   |                 | 46600       |
| Front revolving frame<br>Jacks<br>without:<br>Mast<br>Boom hoist winch<br>(including rope)                           | 1   |                 | 34650       |
| Front revolving frame<br>without:<br>Mast<br>Jacks<br>Boom hoist winch<br>(including rope)                           | 1   |                 | 32000       |
| Rear revolving frame<br>Mast<br>Boom hoist winch<br>(including rope)   | 1   |                 | 14600       |
| *Stands are for temporary placement only. Use the receiver stand size of  when transporting.                         |     |                 |             |
| Crawler  | 2   |                 | 30200       |
| Jack beam  | 4   |                 | 560         |

Weights and Dimensions of Disassembled Units

| Description  | Qty | Dimensions (mm)   | Weight (kg) |
|--|-----|---|-------------|
| Counter weight (Base)  | 1   |   | 19700       |
| Counter weight   | 14  |   | 8950        |
| Lower weight<br>(For counter weight 145 t specifications)  | 2   |   | 12500       |
| Lower step   | 2   |   | 280         |
| HB9.5 ; 9.5 m<br>Boom base<br>W1, W2, W4 Winch   | 1   |  <p>*Stands are for temporary placement only. Use the receiver stand size of  when transporting.</p> | 21800       |
| H6 ; 6 m<br>Boom insert<br>Connect pin<br>Bar pendant<br>(Boom support 6 m and rear strut support 6 m)   | 1   |   | 2700        |
| H6B ; 6 m<br>Boom insert B<br>Connect pin<br>Bar pendant<br>(Boom support 6 m and rear strut support 3m) | 1   |   | 2700        |
| H9 ; 9 m<br>Boom insert<br>Connect pin<br>Bar pendant<br>(Boom support 9m and rear strut support 9m)     | 1   |   | 3800        |



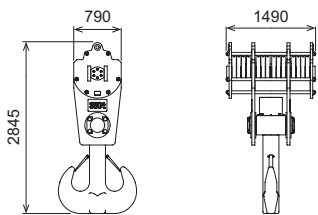
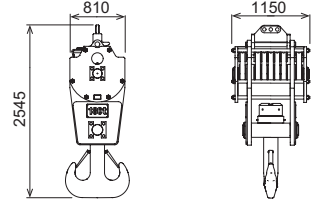
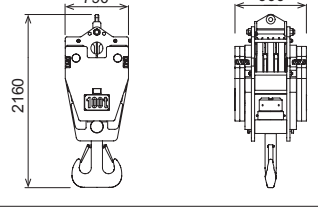
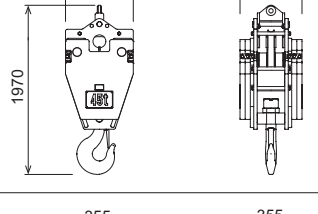
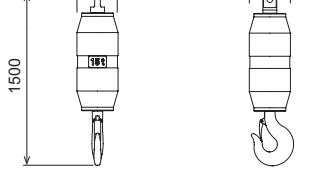
## Weights and Dimensions of Disassembled Units

| Description  | Qty | Dimensions (mm)  | Weight (kg) |
|--|-----|--|-------------|
| HR7 ; 7 m<br>Reducer<br>Connect pin<br>Bar pendant<br>(Boom support 7m and<br>rear strut support 7m) | 1   |    | 3500        |
| HT1.5 ; 1.5 m<br>Boom top  | 1   |    | 5400        |
| LB8 ; 8 m<br>Tower/luffing jib base  | 1   |    | 3120        |
| L6 ; 6 m<br>Tower/luffing jib insert<br>Connect pin<br>Pendant                                       | 1   |   | 1500        |
| L9 ; 9 m<br>Tower/luffing jib insert<br>Connect pin<br>Pendant                                       | 1   |  | 2000        |
| LT7 ; 7 m<br>Tower/luffing jib top   | 1   |  | 3400        |
| For boom top<br>Aux. sheave block  | 1   |  | 610         |
| Crane jib base<br>with jib strut<br>Connect pin attached<br>7.8 m pendant attached                   | 1   |  | 1280        |

Weights and Dimensions of Disassembled Units

| Description                              | Qty | Dimensions (mm) | Weight (kg) |
|--|-----|-----------------|-------------|
| Crane jib top                            | 1   |                 | 770         |
| Crane jib insert<br>Connect pin attached | 1   |                 | 320         |
| 7.8 m pendant                            | 2   |                 | 58          |
| 5.85m pendant                            | 12  |                 | 75          |
| 1.65m pendant                            | 2   |                 | 18.4        |
| Front strut<br>Rear strut                | 1   |                 | 7800        |
| Tower/luffing jib top tip roller         | 2   |                 | 530         |
| Tower/luffing jib top weight             | 2   |                 | 420         |

Weights and Dimensions of Disassembled Units

| Description | Qty | Dimensions (mm)  | Weight (kg) |
|-------------|-----|--|-------------|
| 350 t Hook  | 1   |    | 4440        |
| 180 t Hook  | 1   |    | 3340        |
| 100 t Hook  | 1   |    | 3110        |
| 45 t Hook   | 1   |  | 2170        |
| 15 t Hook   | 1   |  | 620         |

# Equipment List

## Standard and Optional Equipment

○ : Standard ● : Optional — : No setting

| Item   |  | Crane   | Crane / Tower |
|--|--|---|---------------|
| Lower Structure  | 1250 mm Shoe   | ○   | ○             |
|  | Jack Beam  | ○   | ○             |
|  | Crawler Sideframe Connection Unit  | ○   | ○             |
|  | Steps  | ○   | ○             |
|  | Shoe Tension Unit (Shim Adjusting Type)  | ○   | ○             |
| Upper Structure  | Cab Up/Down Catwalk  | ○   | ○             |
|  | Under Cover (Bed Lower Surface)  | ○   | ○             |
|  | Working Light (×2)   | ○   | ○             |
|  | Back Mirror (Left / Right)   | ○   | ○             |
|  | Flip Cylinder  | ○   | ○             |
|  | Auto Idle Stop   | ○   | ○             |
|  | Eco Mode   | ○   | ○             |
|  | Handrails (Inserting Type)   | ○   | ○             |
| Cab  | Tilt Cab (0 to 15°)  | ○   | ○             |
|  | Air Conditioner  | ○   | ○             |
|  | Sunvisor   | ○   | ○             |
|  | Sunshade   | ○   | ○             |
|  | Wiper with Washer (Front Window, Cab Roof Window)  | ○   | ○             |
|  | Microphone & Loud-speaker  | ○   | ○             |
|  | AM / FM Radio (with Clock)   | ○   | ○             |
|  | Room Lamp  | ○   | ○             |
|  | Cup Holder   | ○   | ○             |
|  | 24 V Power Socket (×2)   | ○   | ○             |
|  | Floor Carpet   | ○   | ○             |
|  | Level Gauge (in Cab)   | ○   | ○             |
|  | Accelerator Grip   | ○   | ○             |
|  | Drum Rotation Sensor [Front (W1) / Rear (W2) / Boom Hoist (W3) / Jib Hoist (W4)]* <sup>1</sup> | ○   | ○             |
|  | Speed Control Dial [Front (W1) / Rear (W2) / Boom Hoist (W3) / Jib Hoist (W4)]* <sup>1</sup>   | ○   | ○             |
|  | Arm Chair Lever  | ○   | ○             |
|  | Accelerator Pedal (Right Side)   | ●   | ●             |
|  | Boom Hoist Operation Pedal   | ●   | ●             |
|  | Swing Brake Operation Pedal  | ●   | ●             |
|  | Fan  | ●   | ●             |
|  | Fuel Burning Heater  | ●   | ●             |
|  | Life Hammer  | ○   | ○             |
|  | Attachment   | 24m Basic Boom (HB9.5: 9.5m Boom Base, HR7: 7m Reducer, H6B: 6m Boom Insert B, HT: 1.5m Boom Top) | ○             |
| H6: 6m Boom Insert (Including Boom Steps, Skywalk, Stanchion)  |  | ●   | ○             |
| H9: 9m Boom Insert (Including Boom Steps, Skywalk, Stanchion)  |  | ●   | ○             |
| Auxiliary Sheave for Crane (1 Sheave) [Including Auxiliary Sheave, Anti-two Block]                               |  | ●   | ●             |
| 24m Tower Jib (LB8: Tower/Luffing Jib Base: 8m, L9: 9m Tower/Luffing Jib Insert, LT7: Tower/Luffing Jib Top: 7m) |  | —   | ○             |
| L6: 6m Jib Insert  |  | —   | ○             |
| L9: 9m Jib Insert  |  | —   | ○             |
| Auxiliary Sheave for Tower Jib (1 Sheave) [Including Auxiliary Sheave, Anti-two Block]                           |  | —   | ○             |
| Parts Set for 13.0m Crane Jib (6.5m Jib Base, 6.5m Jib Top)  |  | ●   | ●             |
| 6.0m Crane Jib Insert  |  | ●   | ●             |
| Hammer Head only for 350t Lifting [Including Anti-two Block]   |  | ●   | ●             |
| Boom Foot Pin Removal / Installation Cylinder  |  | ○   | ○             |
| 350t Hook (14 Sheaves)   |  | ●   | ●             |
| 180t Hook (7 Sheaves)  |  | ●   | ●             |
| 100t Hook (3 Sheaves)  |  | ●   | ●             |
| 45t Hook (1 Sheave)  |  | ●   | ●             |
| 15t Hook   | ●  | ●   |               |
| Wire Rope  | Front (W1) Winch (φ 28)  | ●   | ●             |
|  | Rear (W2) Winch (φ 28)   | ○   | ○             |
|  | Boom Hoist (W3) Winch (φ 28)   | ○   | ○             |
|  | Jib Hoist (W4) Winch (φ 28)  | —   | ○             |

\*1 Jib hoist (W4) is not included in the crane specification.

○ : Standard ● : Optional — : No setting

|   | Item   | Crane               | Crane / Tower   |
|---|--|---------------------|-----------------|
| Safety Device                           | Moment Limiter   | ○                   | ○               |
|   | 3 Color Percentage Indicator Light   | ○                   | ○               |
|   | Gate Lock Lever  | ○                   | ○               |
|   | Individual Winch Operation Lever Lock [Front (W1), Rear (W2), Boom Hoist (W3), Jib Hoist (W4), Travel] | ○                   | ○               |
|   | Automatic Drum Lock [Boom Hoist (W3), Jib Hoist (W4)]  | ○                   | ○               |
|   | Winch Drum Lock [Front (W1), Rear (W2)]  | ○                   | ○               |
|   | Swing Lock   | ○                   | ○               |
|   | Swing Alarm  | ○                   | ○               |
|   | Travel Alarm   | ○                   | ○               |
|   | Auto Slowdown (Slow Stop)  | ○                   | ○               |
|   | Boom Hoist Limiting Device   | ○                   | ○               |
|   | Secondary Boom Overhoist Prevent Device  | ○                   | ○               |
|   | Warning Alarm  | ○                   | ○               |
|   | Engine Start Interlock System  | ○                   | ○               |
|   | Emergency Engine Stop Switch (In cab)  | ○                   | ○               |
|   | Lifting Height Indication Device   | ○                   | ○               |
|   | Swing Neutral Free/Brake Selection Switch  | ○                   | ○               |
|   | Anti-two Block   | ○                   | ○               |
|   | Tower/Luffing Jib Overhoist Prevention Device  | —                   | ○               |
|   | Secondary Tower/Luffing Jib Overhoist Prevention Device  | —                   | ○               |
|   | Swing Restriction Unit   | ●                   | ●               |
|   | Anemometer (HH 1.5)  | ○                   | ○               |
|   | Anemometer (HT 1.5)  | ○                   | ○               |
|   | Anemometer (LT 7)  | ○                   | ○               |
|   | Crane Boom Top Camera Monitor System   | ●                   | ●               |
|   | Tower/Luffing Jib Top Camera Monitor System  | ●                   | ●               |
| Drum and Rear View Monitor System (× 7) | ●  | ●                   |                 |
| Cab Roof Window Guard                   | ● / ○ <sup>*2</sup>  | ● / ○ <sup>*2</sup> |                 |
| Others                                  | Boom Back Stop   | ○                   | ○               |
|   | Boom Angle Sensor  | ○                   | ○               |
|   | Boom Lifting Piece   | ○                   | ○               |
|   | Remote Sensing (Mobile Communication Terminal, Data Logging Device)                                    | ○                   | ○               |
|   | Assembly Pad   | ●                   | ●               |
|   | Quick Draw for Side Frame Self Assembly  | ●                   | ●               |
|   | External Hydraulic Power   | ●                   | ○               |
|   | Handy Cylinder for Connecting Boom   | ●                   | ●               |
|   | Bracket for Coupling Cylinder  | ●                   | ●               |
|   | Guide Roller for Nesting Boom  | ●                   | ●               |
|   | Reduction Counter Weight Specification   | ● <sup>*3</sup>     | ● <sup>*3</sup> |
|   | Reeving Winch (4 × F(30) φ 8mm × 250m)   | ●                   | ●               |
|   | Sling Ropes for Disassembly and Assembly (Belt Sling, Sling Wire, Shackle)                             | ○                   | ○               |
|   | HB9.5: 9.5m Boom Base Side Footing   | ●                   | ●               |
|   | Toolbox (Left and Right Sideframes Attached)   | ●                   | ●               |
|   | Additional Spare Parts (Hydraulic Oil Filter)  | ●                   | ●               |
|   | Additional Tools (Large Hammer, Crowbar, Chisel)   | ●                   | ●               |
| Standard Supplied Tools                 | ○  | ○                   |                 |
| Standard Spare Parts                    | ○  | ○                   |                 |

\*2 Europe specification machines only.

\*3 The reduction counter weight specification can only be used for the crane specification, with the exception of the crane jib.





- We are constantly improving our products and therefore reserve the right to change designs and specifications without notice.
- Units in this specification are shown under International System of Units; the figures in parenthesis are under Gravitational System of Units as old one.

---

## Sumitomo Heavy Industries Construction Cranes Co., Ltd.

9-3, Higashi-Ueno 6-chome, Taito-ku, Tokyo 110-0015, Japan  
Phone: 81-3-3845-1387 Facsimile: 81-3-3845-1394

<http://www.hsc-cranes.com>