

**SCX800A-3**

Stage V

# **SCX 800A-3**

---

**HYDRAULIC CRAWLER CRANE**

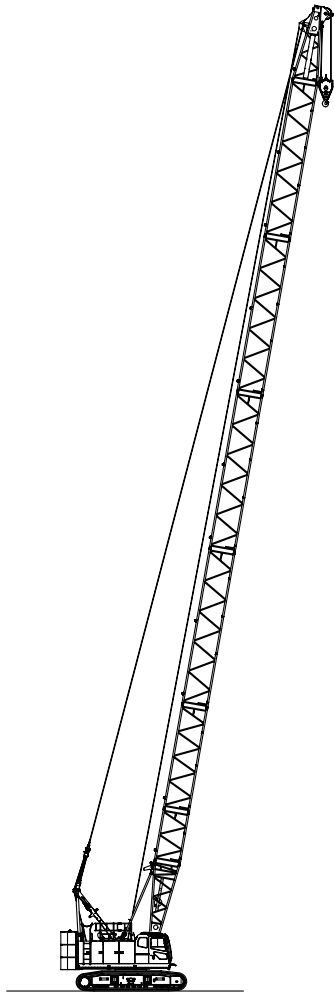
**Hoist Rope 26mm  
11t-Rated Line Pull**



# Variation of The Attachment

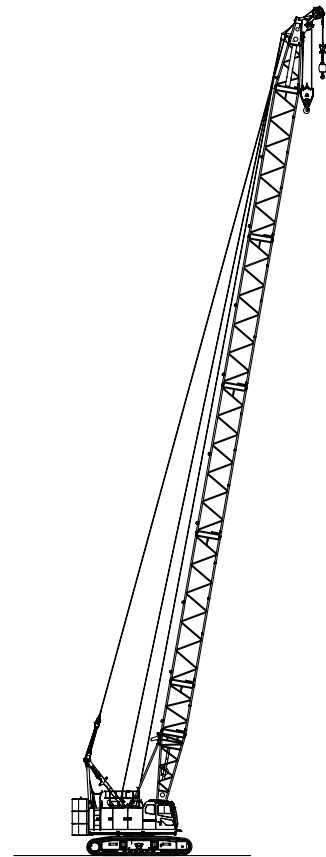
Line Speed	Front / Rear Winch (Rated with 11 t load)	m/min	105 (50)
	Third Winch (Rated with 7 t load)		90 (40)
Swing Speed		min <sup>-1</sup> (rpm)	5.0
Travel Speed High / Low *		km/h	1.6 / 1.1 (Standard:Link shoes)
			1.8 / 1.2 (Optional:Flat shoes)
Gradeability		% (Degree)	30 (17)
Engine Model			Cummins B6.7 (Stage V)
Engine Maximum Output		kW/min <sup>-1</sup> (ps/rpm)	209/2000 (280/2000)

Note : Speeds marked with "\*" may vary depending on load applied.



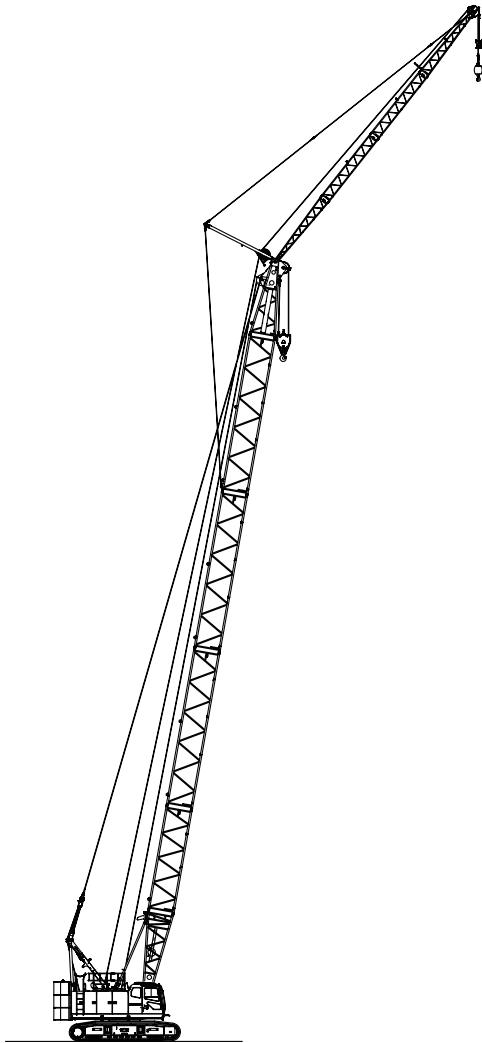
**Crane Specification  
(Boom Longest Length)**

Boom Length	m	9.5 to 54.5
Ground Contact Pressure	kPa (kgf/cm <sup>2</sup> )	92.2(0.94):Link shoes
		96.4(0.98):Flat shoes (Boom longest length with 30 t hook)
Overall Operating Weight	t	Approximately 81 (Boom longest length with 30 t hook)



**Crane Specification  
(Boom Longest Length with Aux. Sheave)**

Boom Length	m	9.5 to 48.5
Ground Contact Pressure	kPa (kgf/cm <sup>2</sup> )	92.6(0.94):Link shoes
		96.9(0.99):Flat shoes (Boom longest length with 30t hook+ aux. sheave with 11 t hook attached)
Overall Operating Weight	t	Approximately 81 (Boom longest length with 30t hook + aux. sheave with 11 t hook attached)



**Crane Specification  
(Boom Longest Length with Crane Jib)**

Boom Length	m	27.5 to 45.5
Crane Jib Length	m	9 to 18
Boom + Crane Jib Longest Length	m	42.5 + 18
Ground Contact Pressure	kPa (kgf/cm <sup>2</sup> )	93.1(0.95):Link shoes 97.4(0.99):Flat shoes (Boom + crane jib longest length with 30 t + 11 t hook attached)
Overall Operating Weight	t	Approximately 82 (Boom + crane jib longest length with 30 t + 11 t hook attached)

NOTE :  
Illustration are when standard link shoes and non-cast type weights are installed.

**VARIATION**

<b>Variation of The Attachment</b>	<b>2</b>
------------------------------------	----------

**SPECIFICATIONS**

<b>Specifications</b>	<b>6</b>
-----------------------	----------

<b>Crane Specifications</b>	<b>8</b>
-----------------------------	----------

<b>Dimensions and Specifications</b> .....	<b>8</b>
--	----------

<b>Boom and Crane Jib Configurations</b> .....	<b>9</b>
--	----------

<b>Combination of Boom and Crane Jib (Offset Angle 10° and 30°)</b> .....	<b>12</b>
---	-----------

<b>Working Ranges</b> .....	<b>13</b>
-----------------------------	-----------

■ Main Boom .....	13
-------------------	----

■ Aux. Sheave .....	14
---------------------	----

■ 18 m Crane Jib (Offset Angle 10° and 30°) .....	15
---	----

<b>Gross Rated Load Table</b> .....	<b>16</b>
-------------------------------------	-----------

■ Main Boom (1/2) .....	16
-------------------------	----

■ Main Boom (2/2) .....	17
-------------------------	----

■ Aux. Sheave (1/2) .....	18
---------------------------	----

■ Aux. Sheave (2/2) .....	19
---------------------------	----

■ Main Boom with Aux. Sheave (1/2) .....	20
--	----

■ Main Boom with Aux. Sheave (2/2) .....	21
--	----

■ Crane Jib (1/4) .....	22
-------------------------	----

■ Crane Jib (2/4) .....	23
-------------------------	----

■ Crane Jib (3/4) .....	24
-------------------------	----

■ Crane Jib (4/4) .....	25
-------------------------	----

■ Main Boom with Crane Jib (1/4) .....	26
--	----

■ Main Boom with Crane Jib (2/4) .....	27
--	----

■ Main Boom with Crane Jib (3/4) .....	28
--	----

■ Main Boom with Crane Jib (4/4) .....	29
--	----

<b>Clamshell Specifications</b>	<b>30</b>
---------------------------------	-----------

<b>Dimensions and Specifications</b> .....	<b>30</b>
--	-----------

■ Working Ranges .....	30
------------------------	----

■ Specifications .....	31
------------------------	----

■ Clamshell Bucket.....	31
■ Gross Rated Load Table.....	31

**TECHNICAL DATA**

<b>Weights and Dimensions of Disassembled Units</b>	<b>32</b>
Weights and Dimensions List .....	32
<b>Equipment List</b>	<b>37</b>
Standard and Optional Equipment .....	37

# Specifications



## Engine

Model	Cummins B6.7
Type	4-cycle, Water-cooled, Direct injection, Turbo-charged, Diesel engine
Displacement	6.7 liters
Maximum Output	209 kW / 2,000 min <sup>-1</sup> (280 ps / 2,000 rpm)
Fuel Tank Capacity	428 liters
Notes	Compliant with the engine emission gas regulations for EU Stage V. Engine rated horsepower is based on the international rating formula which includes necessary horsepower for engine alternator drive but excludes engine fan drive.



## Control

Control System	Main actuators are actuated by main hydraulic system controlled with pilot hydraulic system. Safety devices are securely operated by combined various electronic control with hydraulic system. Working speed can be precisely controlled according to control lever stroke and control dials depending on work.
Control Levers	Designed and positioned based on ergonomics. Arm-chair lever type is standard. Cross operation lever type and front lever type are available as option.
Display Panel Design	8 inches size. Located to check work state easily without disturbing the view of the operator.



## Hydraulic System

Hydraulic Oil Tank Capacity	320 liters		
Hydraulic Pump Capacity	Max.	31.4 MPa	
	P1	280 liters / min	for Front, Rear, boom hoist winch and travel
	P2	280 liters / min	for Front, Rear, third winch and travel
	P3	160 liters / min	for Swing, Crawler side frame retract and Gantry cyl.
	P4	41 liters / min	Pilot control, Brake cooling, Reeving tagline, etc.
	P5	41 liters / min	
	P6	41 liters / min	
P7	32 liters / min		



## Winch

Front and Rear Winch				
Winch		Front	Rear	
Rope Diameter		26 mm	26 mm	
Rope Length	Standard	175 m	150 m	for Aux. sheave
	Winding Capacity	-	150 m	for Crane jib
Line Pull	Rated	210 m	210 m	
Standard Equipment		108 kN	108 kN	
Optional Equipment		High-speed winching is possible by ECO winch mode with low engine speed under light loads. Free fall winch with brake controlled by pedal operation.		
Boom Hoist Winch				
Rope Diameter		16 mm		
Rope Length	Incorporated	150 m		
Hydraulic motor with multi-disc brakes.				

### Third Winch (Optional)

Rope Diameter		22.4 mm
Rope Length	Standard	180 m
	Winding Capacity	228 m
Line Pull	Rated	69 kN
Free fall winch with brake controlled by pedal operation.		



## Swing System

Consisted of 1 hydraulic motors with reduction gear and multi-disc brakes and a swing bearing which has inner tooth. Optional swing brake pedal enables operator to control swing precisely.



## Gantry

Gantry is welded steel construction. Raised and lowered by power hydraulic cylinders.

## Counter Weight

Upper Weight (Standard) : 3.4m width non cast	Total Weight	28.2 ton
	9.2 ton Base Weight (A)	1 piece
	9.5 ton Weight (B)	2 piece
Upper Weight (Optional) : 3.2m width cast	Total Weight	28.2 ton
	9.2 ton Base Weight (A)	1 piece
	9.1 ton Insert Weight (B)	1 piece
	9.9 ton Top Weight (C)	1 piece
Lower Weight : only for optional flat type crawler	Total Weight	4.0 ton
	2.0 ton Lower Weight	2 pieces

## Carbody Frame

Welded steel construction with crawler side frame extend-retract cylinders.

## Crawler Side frame

### Link type (Standard)

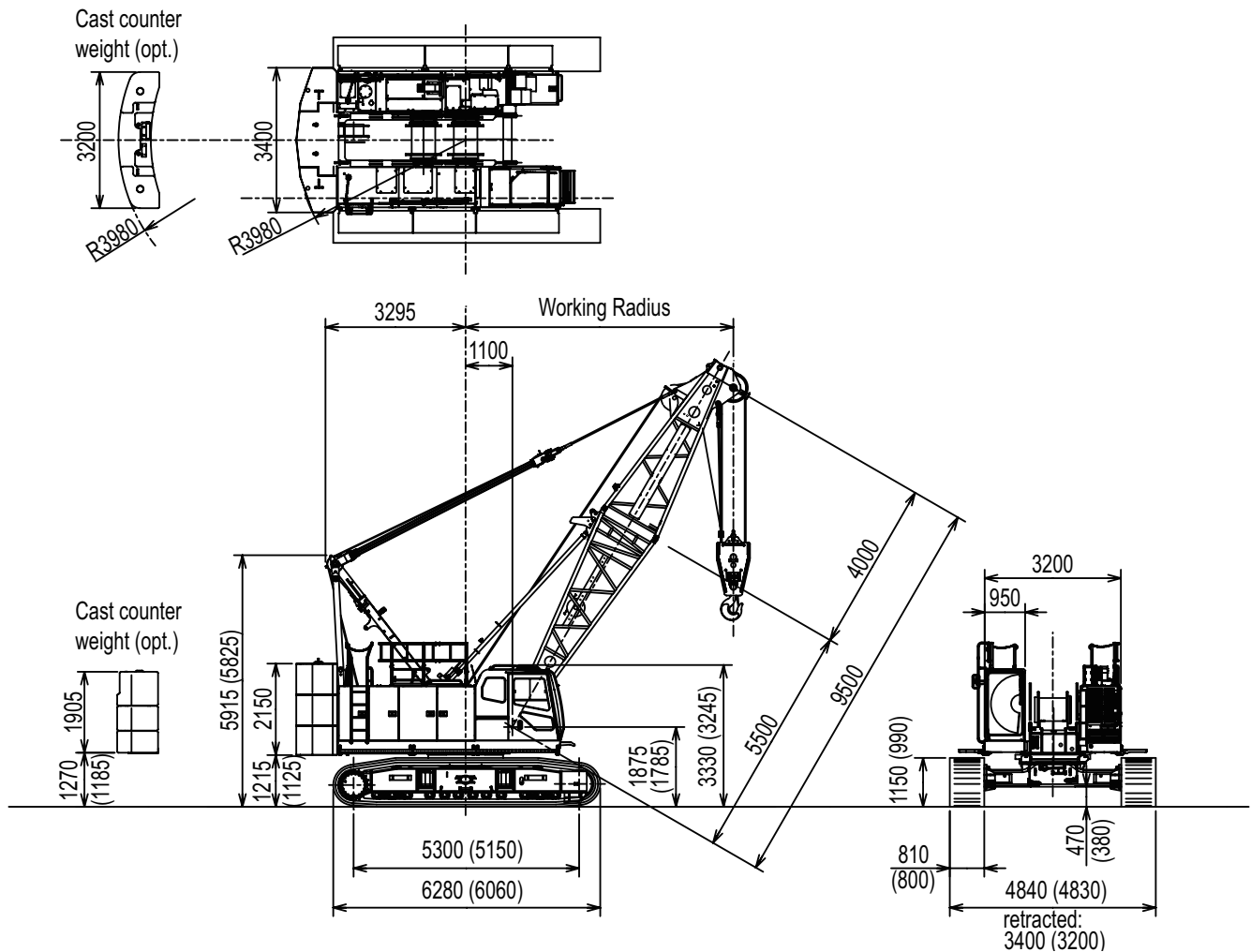
Frame	Welded steel box construction, and can be retracted.	
Shoe	Link type 810 mm width shoe each side.	
Upper Roller	2 pieces double flange type for each side.	
Lower Roller	12 pieces each side.	
	Forging heat treated steel with double flange type. 2 plane bearing with floating seal for lifetime lubrication.	
Travel Device	1 peace each side.	
	Hydraulic travel device (Hydrayulic motor and reducer)	
	Travel speed (Gradability : 30%)	High : 1.6 km/h Low : 1.1 km/h

### Flat type (Optional)

Frame	Welded steel box construction, and can be retracted.	
Shoe	Flat type 800 mm width shoe each side.	
Upper Roller	2 pieces double flange type for each side.	
Lower Roller	10 pieces each side.	
	Forging heat treated steel with double flange type. 2 plane bearing with floating seal for lifetime lubrication.	
Travel Device	1 peace each side.	
	Hydraulic travel device (Hydrayulic motor and reducer)	
	Travel speed (Gradability : 30%)	High : 1.8 km/h Low : 1.2 km/h

# Crane Specifications

## Dimensions and Specifications



NOTE : ( ) In case of the flat shoes.

### Crane Specifications

Max. Lifting Load × Working Radius	t × m	80×3.4
Basic Boom Length	m	9.5
Max. Boom Length	m	54.5
Max. Crane Jib Length	m	9 to 18
Max. Boom + Jib Length	m	42.5 + 18
Ground Contact Pressure	kPa (kgf/cm <sup>2</sup> )	87.2 (0.89) (w / Basic Boom, 80 t Hook, Link shoes) 91.1 (0.93) (w / Basic Boom, 80 t Hook, Flat shoes)
Overall Operating Weight	t	Approximately 76 (w / Basic Boom, 80 t Hook)

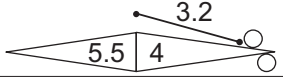
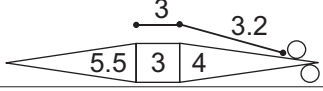
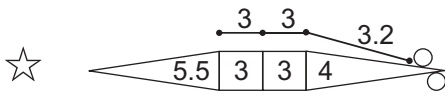
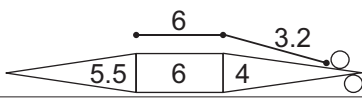
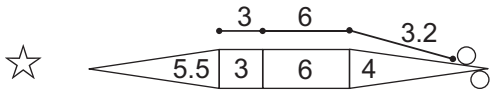
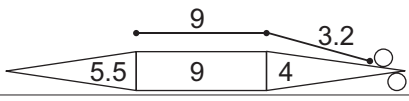
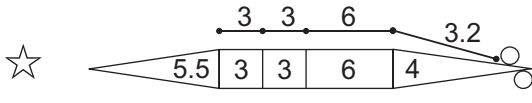
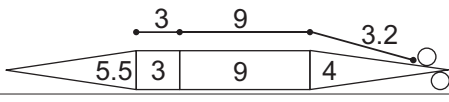
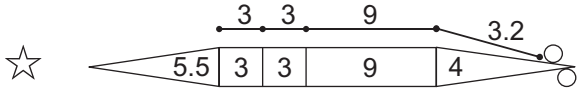
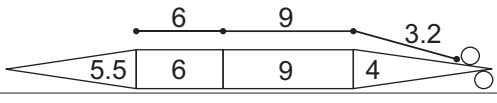
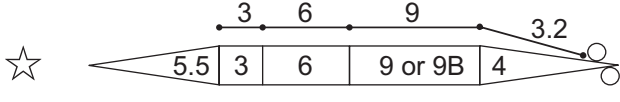
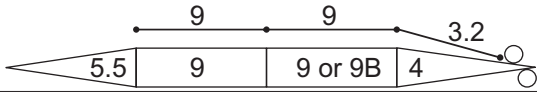
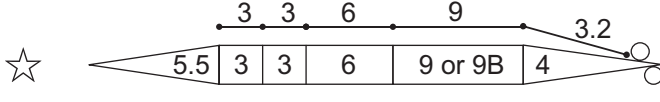
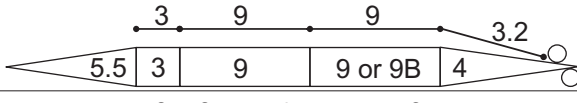
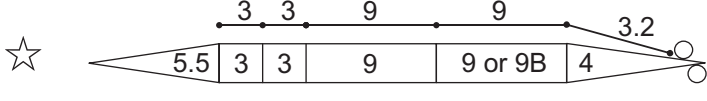
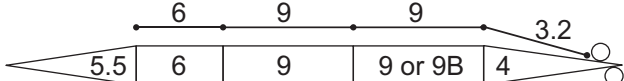
NOTE : Data is expressed in SI units followed by conventional units in ( ).

### Hook Weight

80 t	1050 kg
50 t	900 kg
30 t	730 kg
11 t	370 kg



## Boom and Crane Jib Configurations

Boom	
Boom Length (m)	Boom Configurations
9.5	
12.5	
15.5	☆  
18.5	☆  
21.5	☆  
24.5	☆  
27.5	☆  
30.5	☆  
33.5	☆  

A star mark( ☆ ) indicates manufacturer's recommended boom configuration.

Boom			
Boom Length (m)		Boom Configurations	
36.5	☆		
39.5	☆		
42.5	☆		
45.5	☆		
48.5	☆		
51.5	☆		
54.5			

A star mark( ☆ ) indicates manufacturer's recommended boom configuration.

Aux. Sheave Installable Boom Length																
Boom Length (m)	9.5	12.5	15.5	18.5	21.5	24.5	27.5	30.5	33.5	36.5	39.5	42.5	45.5	48.5	51.5	54.5
With Aux. Sheave	○	○	○	○	○	○	○	○	○	○	○	○	○	○	×	×

( ○ : Attachable    × : Not Attachable )

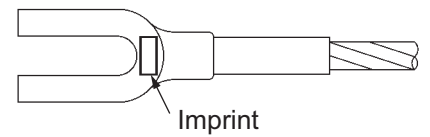
**Dimensions Not Shown In The Figure**

Symbols	Boom Length (m)
3	3
6	6
9	9
9B	9

"9B" is for use with crane jib. "9" is used instead of "9B".

**Pendant Rope**

Symbols	Length (m)	Rope Diameter (mm)	Imprint
3	3	32	□ • △ • 32 • 3 • C
3.2	3.215	32	□ • △ • 32 • 3.215 • C
6	6	32	□ • △ • 32 • 6 • C
9	9	32	□ • △ • 32 • 9 • C



Check the pendant rope with referring to the imprints on the rope end.

## Combination of Boom and Crane Jib (Offset Angle 10° and 30°)

Combination of Boom and Crane Jib (Offset Angle 10° and 30°)																
Boom Length (m)		9	12.5	15.5	18.5	21.5	24.5	27.5	30.5	33.5	36.5	39.5	42.5	45.5	48.5	51.5
Jib Length (m)	9	×	×	×	×	×	×	○	○	○	○	○	○	○	×	×
	13.5	×	×	×	×	×	×	○	○	○	○	○	○	○	×	×
	18	×	×	×	×	×	×	○	○	○	○	○	○	○	×	×

(○ : Attachable × : Not Attachable)

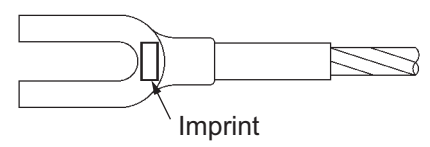
Crane Jib (Offset Angle 10° and 30°)		
Crane Jib Length (m)	Offset Angle	Crane Jib Configurations
9	10°	
	30°	
13.5	10°	
	30°	
18	10°	
	30°	

**Dimensions Not Shown In The Figure**

Symbols	Jib Length (m)
4.5	4.5

**Jib Pendant Rope**

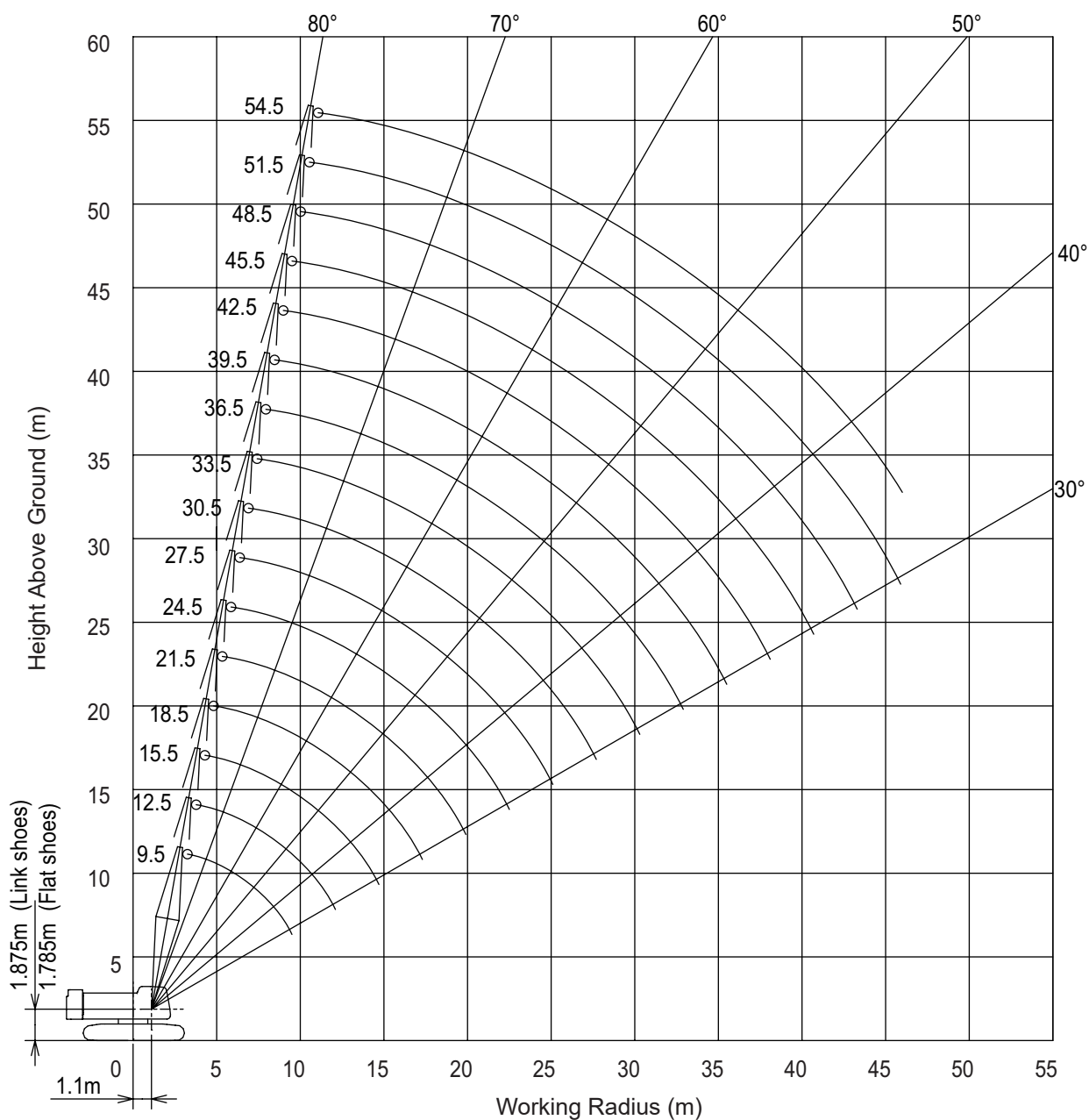
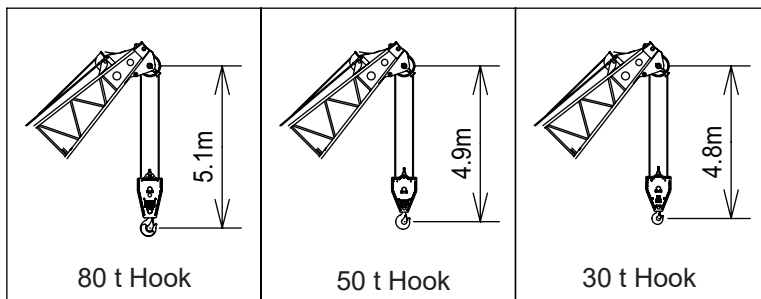
Symbols	Length (m)	Rope Diameter (mm)	Imprint
2.9	2.85	20	□ · △ · 20 · 2.85 · C
8.5	8.45	20	□ · △ · 20 · 8.45 · C
18	18.35	20	□ · △ · 20 · 18.35 · C
30	29.5	20	□ · △ · 20 · 29.5 · C



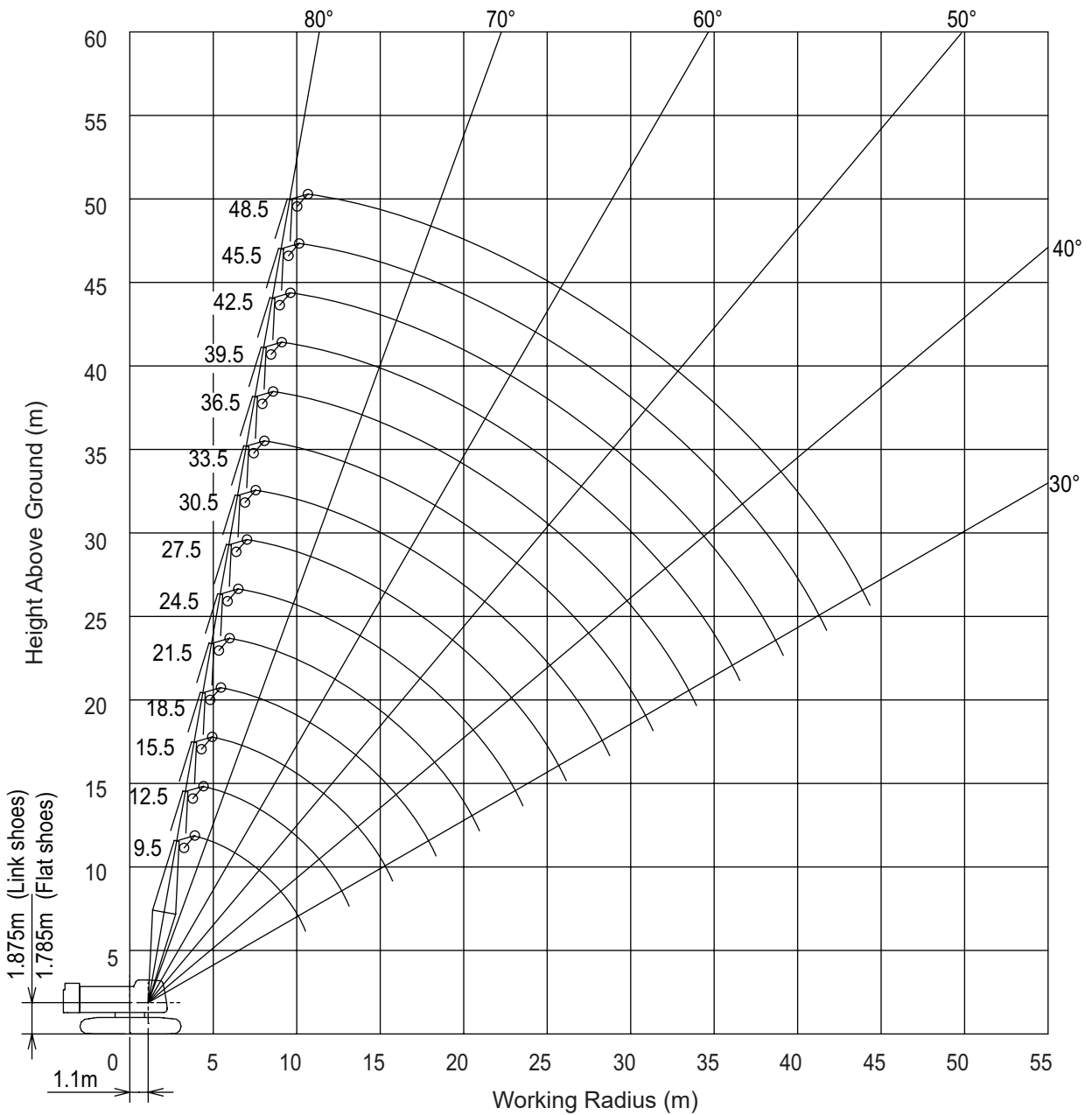
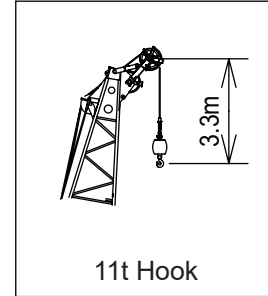
Check the pendant rope with referring to the imprints on the rope end.

# Working Ranges

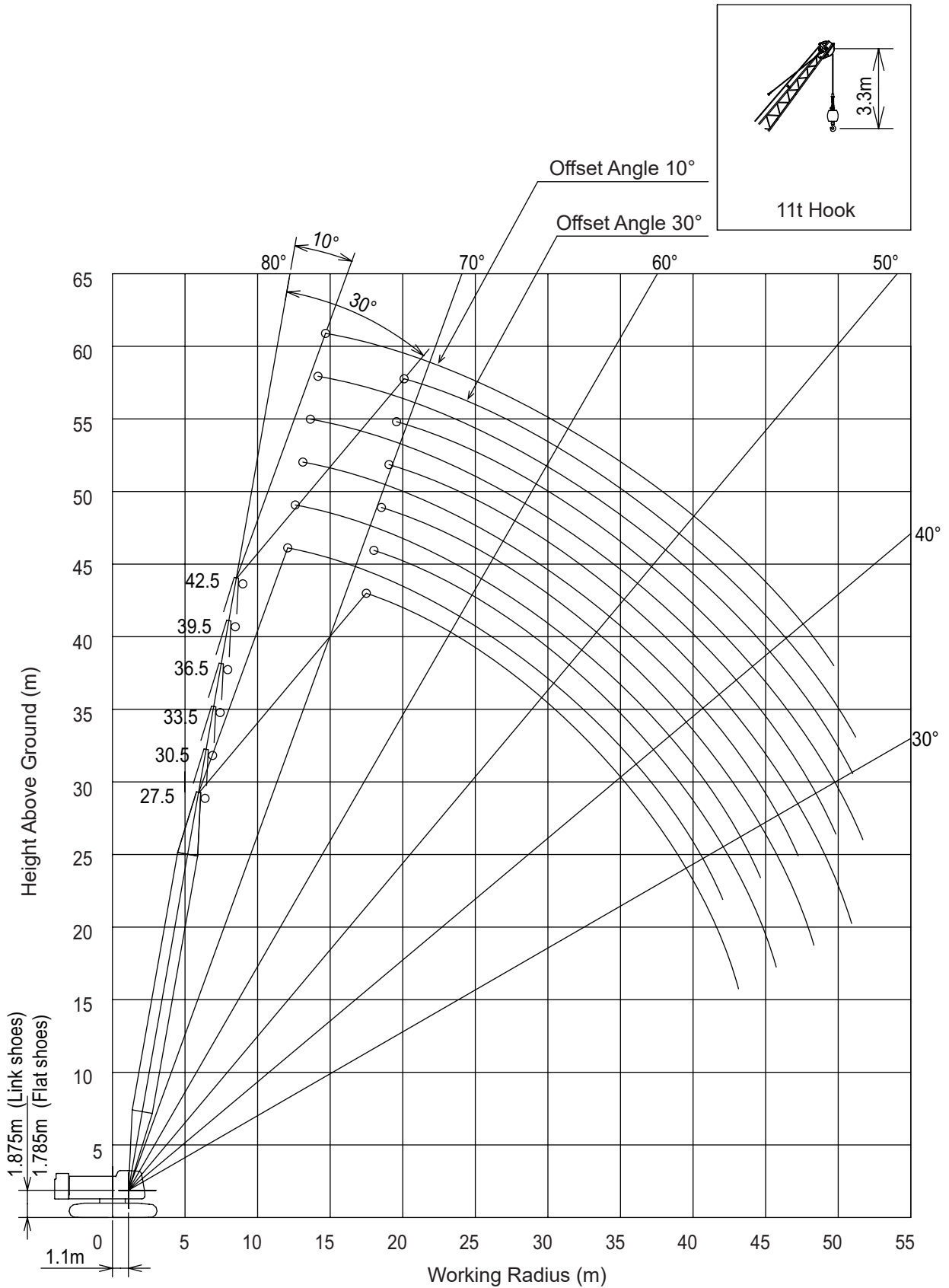
■ Main Boom



■ Aux. Sheave



■ 18 m Crane Jib (Offset Angle 10° and 30°)



## Gross Rated Load Table

### ■ Main Boom (1/2)



unit ; ton

Working Radius (m)	Boom Length ( m )								Working Radius (m)
	9.5	12.5	15.5	18.5	21.5	24.5	27.5	30.5	
3.4	80.00	3.9mx							3.4
3.5	76.50	70.60t							3.5
4	70.00	69.50							4
4.5	62.30	62.15	62.00						4.5
5	56.30	56.15	56.00	53.75	5.6mx				5
5.5	51.35	51.20	50.45	48.05	44.90t	6.1mx	6.7mx		5.5
6	46.40	46.30	45.40	43.45	41.55	39.20t	34.05t	7.2mx	6
7	38.65	38.60	37.80	36.35	34.95	33.70	32.50	30.45t	7
8	31.90	31.85	31.80	31.20	30.05	29.10	28.15	27.25	8
9	27.10	27.05	26.95	26.90	26.30	25.55	24.75	24.00	9
10	9.5mx	23.40	23.35	23.30	23.15	22.70	22.05	21.40	10
12	25.20t	18.35	18.25	18.20	18.10	18.05	17.95	17.50	12
14		12.1mx	14.90	14.85	14.70	14.65	14.55	14.45	14
16		18.20t	14.7mx	12.45	12.30	12.25	12.10	12.05	16
18			14.00t	17.3mx	10.50	10.40	10.30	10.20	18
20				11.20t	19.9mx	9.00	8.90	8.80	20
22					9.15t	7.90	7.80	7.65	22
24						22.5mx	6.85	6.75	24
26						7.65t	25.1mx	6.00	26
28							6.45t	27.7mx	28
30								5.45t	30

- The rated loads are determined according to EN13000 rating with the machine on firm level ground.
- The figures surrounded by bold lines are based on factors other than those which would cause a tipping condition.
- To calculate the maximum load that can actually be lifted, deduct weight of all lifting accessories, such as boom hook and jib hook, from figures shown above.
- Working radius is the horizontal distance from the slewing center to the center of gravity of a lifted load.
- The counter weight is shown in the next table.

Crawler shoe	Upper weight	Lower weight
Link shoe	28.2	-
Flat shoe	28.2	4.0

- The relations between the reeving part number of rope and the maximum rated loads is shown in the table next page.



■ Main Boom (2/2)



unit ; ton

Working Radius (m)	Boom Length ( m )								Working Radius (m)
	33.5	36.5	39.5	42.5	45.5	48.5	51.5	54.5	
6	7.8mx								6
7	27.05t	8.3mx	8.8mx						7
8	26.35	24.55t	22.10t	9.4mx	9.9mx				8
9	23.25	22.55	21.85	19.10t	17.05t	10.5mx	11.0mx	11.6mx	9
10	20.80	20.20	19.55	18.70	17.00	16.70t	13.55t	12.00t	10
12	17.00	16.55	16.05	15.70	15.20	14.45	13.10	11.85	12
14	14.25	13.85	13.45	13.20	12.80	12.45	12.05	11.00	14
16	11.90	11.80	11.50	11.25	10.90	10.60	10.30	9.95	16
18	10.10	10.00	9.85	9.75	9.45	9.15	8.85	8.55	18
20	8.70	8.60	8.45	8.40	8.25	8.00	7.70	7.45	20
22	7.55	7.45	7.30	7.25	7.10	7.00	6.75	6.50	22
24	6.65	6.55	6.40	6.35	6.20	6.10	5.95	5.70	24
26	5.85	5.75	5.60	5.55	5.40	5.30	5.20	5.00	26
28	5.20	5.10	4.95	4.90	4.75	4.65	4.55	4.40	28
30	4.70	4.55	4.40	4.35	4.20	4.10	3.95	3.80	30
32	30.3mx	4.10	3.95	3.85	3.70	3.60	3.50	3.35	32
34	4.60t	32.9mx	3.50	3.45	3.30	3.20	3.05	2.90	34
36		3.90t	35.5mx	3.05	2.90	2.80	2.70	2.55	36
38			3.25t	2.75	2.60	2.50	2.35	2.20	38
40				38.1mx	2.30	2.20	2.05	1.90	40
42				2.75t	40.7mx	1.95	1.80	1.65	42
44					2.20t	43.3mx	1.55	1.40	44
46						1.75t	45.9mx	45.0mx	46
48							1.35t	1.30t	48

■ The relations between the reeving part number of rope and the maximum rated loads

Hook Capacity ( t )	Hook Weight ( t )	Maximum rated loads ( t )							
		8 falls	7 falls	6 falls	5 falls	4 falls	3 falls	2 falls	1 fall
80	1.05	80	77	66	55	44	—	—	—
50	0.90	—	—	—	50	44	—	—	—
30	0.73	—	—	—	—	—	30	22	—
11	0.37	—	—	—	—	—	—	—	11

■ Aux. Sheave (1/2)



unit ; ton

Working Radius (m)	Boom Length ( m )							Working Radius (m)
	9.5	12.5	15.5	18.5	21.5	24.5	27.5	
4.3	11.00	4.9mx						4.3
4.5	11.00	11.00t	5.4mx					4.5
5	11.00	11.00	11.00t					5
5.5	11.00	11.00	11.00		6.5mx			5.5
6	11.00	11.00	11.00	11.00	11.00t	7.1mx	7.6mx	6
7	11.00	11.00	11.00	11.00	11.00	11.00t	11.00t	7
8	11.00	11.00	11.00	11.00	11.00	11.00	11.00	8
9	11.00	11.00	11.00	11.00	11.00	11.00	11.00	9
10	11.00	11.00	11.00	11.00	11.00	11.00	11.00	10
12	10.8mx	11.00	11.00	11.00	11.00	11.00	11.00	12
14	11.00t	13.4mx	11.00	11.00	11.00	11.00	11.00	14
16		11.00t	11.00	11.00	11.00	11.00	11.00	16
18				10.40	10.25	10.15	10.05	18
20				18.6mx	8.80	8.75	8.60	20
22				9.95t	21.2mx	7.60	7.50	22
24					8.10t	23.8mx	6.55	24
26						6.80t	5.80	26
28							26.4mx	28
30							5.65t	30

1. The rated loads are determined according to EN13000 rating with the machine on firm level ground.
2. The figures surrounded by bold lines are based on factors other than those which would cause a tipping condition.
3. To calculate the maximum load that can actually be lifted, deduct weight of all lifting accessories, such as boom hook and jib hook, from figures shown above.
4. Working radius is the horizontal distance from the slewing center to the center of gravity of a lifted load.
5. The counter weight is shown in the next table.

Crawler shoe	Upper weight	Lower weight
Link shoe	28.2	-
Flat shoe	28.2	4.0

6. Hook weight are shown in the table next page.

■ Aux. Sheave (2/2)



unit ; ton

Working Radius (m)	Boom Length ( m )							Working Radius (m)
	30.5	33.5	36.5	39.5	42.5	45.5	48.5	
7	8.2mx	8.7mx						7
8	11.00t	11.00t	9.3mx	9.8mx				8
9	11.00	11.00	11.00t	11.00t	10.3mx	10.9mx	11.4mx	9
10	11.00	11.00	11.00	11.00	11.00t	11.00t	11.00t	10
12	11.00	11.00	11.00	11.00	11.00	11.00	11.00	12
14	11.00	11.00	11.00	11.00	11.00	11.00	11.00	14
16	11.00	11.00	11.00	11.00	10.85	10.50	10.15	16
18	9.95	9.80	9.70	9.50	9.30	9.00	8.70	18
20	8.50	8.40	8.30	8.15	8.10	7.80	7.50	20
22	7.35	7.25	7.15	7.00	6.95	6.80	6.55	22
24	6.45	6.30	6.20	6.05	6.00	5.85	5.70	24
26	5.65	5.55	5.40	5.25	5.20	5.05	4.95	26
28	5.05	4.90	4.75	4.60	4.55	4.40	4.30	28
30	29.0mx	4.35	4.20	4.05	4.00	3.80	3.70	30
32	4.75t	31.6mx	3.75	3.55	3.50	3.35	3.20	32
34		3.95t	3.35	3.15	3.05	2.90	2.80	34
36			34.2mx	2.80	2.70	2.55	2.40	36
38			3.30t	36.8mx	2.35	2.20	2.10	38
40				2.65t	39.4mx	1.90	1.80	40
42					2.15t	1.65	1.55	42
44							1.30	44

■ The hook weight

Hook Capacity (t)	Hook Weight (t)
80	1.05
50	0.90
30	0.73
11	0.37

■ Main Boom with Aux. Sheave (1/2)



Working Radius (m)	Boom Length ( m )							Working Radius (m)
	9.5	12.5	15.5	18.5	21.5	24.5	27.5	
3.4	80.00	3.9mx						3.4
3.5	76.50	70.45t						3.5
4	68.90	68.75						4
4.5	61.45	61.35	61.20					4.5
5	55.45	55.35	55.20	53.20	5.6mx			5
5.5	50.50	50.35	49.90	47.50	44.35t	6.1mx	6.7mx	5.5
6	46.30	46.15	44.85	42.90	40.95	38.60t	33.45t	6
7	38.20	38.20	37.25	35.80	34.35	33.15	31.90	7
8	31.45	31.40	31.35	30.65	29.50	28.55	27.55	8
9	26.65	26.60	26.50	26.50	25.75	25.00	24.15	9
10	9.5mx	23.00	22.90	22.85	22.70	22.15	21.45	10
12	24.75t	17.95	17.85	17.80	17.65	17.60	17.40	12
14		12.1mx	14.50	14.40	14.25	14.20	14.10	14
16		17.75t	14.7mx	12.00	11.85	11.80	11.70	16
18			13.55t	17.3mx	10.05	10.00	09.85	18
20				10.80t	19.9mx	8.60	8.45	20
22					8.75t	7.50	7.35	22
24						22.5mx	6.45	24
26						7.25t	25.1mx	26
28							6.00t	28

unit ; ton

1. The rated loads are determined according to EN13000 rating with the machine on firm level ground.
2. The figures surrounded by bold lines are based on factors other than those which would cause a tipping condition.
3. To calculate the maximum load that can actually be lifted, deduct weight of all lifting accessories, such as boom hook and jib hook, from figures shown above.
4. Working radius is the horizontal distance from the slewing center to the center of gravity of a lifted load.
5. The counter weight is shown in the next table.

Crawler shoe	Upper weight	Lower weight
Link shoe	28.2	-
Flat shoe	28.2	4.0

6. The relations between the reeving part number of rope and the maximum rated loads is shown in the table next page.

■ Main Boom with Aux. Sheave (2/2)



unit ; ton

Working Radius (m)	Boom Length ( m )							Working Radius (m)
	30.5	33.5	36.5	39.5	42.5	45.5	48.5	
6	7.2mx	7.8mx						6
7	29.85t	26.45t	8.3mx	8.8mx				7
8	26.65	25.75	23.95t	21.75t	9.4mx	9.9mx		8
9	23.45	22.65	21.95	21.25	19.05t	17.00t	10.5mx	9
10	20.85	20.20	19.55	18.95	18.45	16.95	16.45t	10
12	16.90	16.40	15.90	15.40	15.05	14.55	14.15	12
14	14.00	13.65	13.25	12.85	12.55	12.15	11.80	14
16	11.60	11.45	11.25	10.85	10.65	10.25	9.95	16
18	9.75	9.65	9.55	9.35	9.15	8.80	8.50	18
20	8.35	8.25	8.10	7.95	7.90	7.60	7.35	20
22	7.25	7.10	7.00	6.80	6.75	6.60	6.35	22
24	6.30	6.20	6.05	5.90	5.85	5.70	5.55	24
26	5.55	5.40	5.30	5.15	5.10	4.90	4.80	26
28	27.7mx	4.80	4.65	4.50	4.45	4.25	4.15	28
30	5.00	4.25	4.10	3.95	3.85	3.70	3.60	30
32		30.3mx	3.65	3.45	3.40	3.25	3.10	32
34		4.15t	32.9mx	3.05	3.00	2.80	2.70	34
36			3.45t	35.5mx	2.60	2.45	2.30	36
38				2.80t	2.30	2.15	2.00	38
40					38.1mx	1.85	1.70	40
42					2.30t	40.7mx	1.45	42
44						1.75t	43.3mx	44
46							1.30t	46

■ The relations between the reeving part number of rope and the maximum rated loads

Hook Capacity ( t )	Hook Weight ( t )	Maximum rated loads ( t )							
		8 falls	7 falls	6 falls	5 falls	4 falls	3 falls	2 falls	1 fall
80	1.05	80	77	66	55	44	—	—	—
50	0.90	—	—	—	50	44	—	—	—
30	0.73	—	—	—	—	—	30	22	—
11	0.37	—	—	—	—	—	—	—	11

■ Crane Jib (1/4)



Boom length (m)	27.5						30.5						Boom length (m)
	9		13.5		18		9		13.5		18		
Jib length (m)	9		13.5		18		9		13.5		18		Jib length (m)
Jib offset angle (°)	10	30	10	30	10	30	10	30	10	30	10	30	Jib offset angle (°)
Working radius (m)													Working radius (m)
9.6	11.00		11.2mx				10.2mx		11.8mx				9.6
10	11.00	12.3mx	10.45t		12.8mx		11.00t	12.9mx	10.40t		13.3mx		10
12	11.00	9.05t	10.40	15.3mx	6.75t		11.00	9.05t	10.35	15.8mx	6.75t		12
14	11.00	8.65	10.15	6.90t	6.65		11.00	8.80	10.15	6.95t	6.70		14
16	11.00	8.25	9.90	6.85	6.50	18.2mx	11.00	8.40	9.90	6.90	6.55	18.7mx	16
18	10.35	7.85	9.75	6.60	6.40	4.90t	10.25	8.00	9.75	6.70	6.45	4.85t	18
20	8.95	7.50	9.10	6.25	6.30	4.80	8.80	7.70	9.00	6.40	6.30	4.75	20
22	7.75	7.25	7.95	6.00	6.20	4.70	7.65	7.40	7.85	6.10	6.20	4.65	22
24	6.85	6.95	7.00	5.75	6.10	4.50	6.70	6.95	6.85	5.85	6.10	4.55	24
26	6.05	6.20	6.20	5.55	5.95	4.40	5.90	6.10	6.10	5.65	6.00	4.50	26
28	5.40	5.50	5.55	5.35	5.65	4.30	5.25	5.40	5.40	5.45	5.55	4.40	28
30	4.80	4.95	4.95	5.15	5.10	4.25	4.70	4.80	4.85	5.05	4.95	4.35	30
32	4.35	4.40	4.45	4.65	4.60	4.15	4.20	4.30	4.35	4.55	4.45	4.25	32
34	33.8mx	3.95	4.05	4.15	4.15	4.10	3.75	3.85	3.90	4.05	4.00	4.15	34
36	3.95t	34.4mx	3.65	3.75	3.75	3.95	3.40	3.45	3.50	3.65	3.60	3.85	36
38		3.90t	3.35	3.40	3.40	3.55	36.4mx	37.0mx	3.20	3.30	3.30	3.45	38
40				38.9mx	3.10	3.25	3.30t	3.25t	2.90	2.95	2.95	3.15	40
42				3.25t	2.85	2.95			40.6mx	41.5mx	2.70	2.85	42
44					42.3mx	43.4mx			2.80t	2.75t	2.45	2.55	44
46					2.80t	2.75t					44.9mx	2.30	46
48											2.35t		48

1. The rated loads are determined according to EN13000 rating with the machine on firm level ground.
2. The figures surrounded by bold lines are based on factors other than those which would cause a tipping condition.
3. To calculate the maximum load that can actually be lifted, deduct weight of all lifting accessories, such as boom hook and jib hook, from figures shown above.
4. Working radius is the horizontal distance from the slewing center to the center of gravity of a lifted load.
5. The counter weight is shown in the next table.

Crawler shoe	Upper weight	Lower weight
Link shoe	28.2	-
Flat shoe	28.2	4.0

6. Hook weight are shown in the table next page.

■ Crane Jib (2/4)



Boom length (m)	33.5						36.5						Boom length (m)
	9		13.5		18		9		13.5		18		
Jib length (m)	9		13.5		18		9		13.5		18		Jib length (m)
Jib offset angle (°)	10		30		10		30		10		30		Jib offset angle (°)
Working radius (m)	10		30		10		30		10		30		Working radius (m)
9	10.7mx						11.3mx						9
10	11.00t	13.4mx	12.3mx		13.9mx		11.00t		12.9mx				10
12	11.00	9.00t	10.35t		6.70t		11.00		10.35t		14.4mx		12
14	11.00	8.90	10.15	16.3mx	6.70		11.00	9.00	10.15	16.9mx	6.70t		14
16	11.00	8.50	9.90	6.90t	6.60	19.3mx	11.00	8.60	9.90	6.80t	6.60	19.8mx	16
18	10.00	8.15	9.75	6.75	6.50	4.85t	9.70	8.25	9.70	6.75	6.50	4.90t	18
20	8.65	7.85	8.80	6.50	6.35	4.80	8.50	7.95	8.50	6.55	6.40	4.90	20
22	7.50	7.55	7.70	6.20	6.25	4.70	7.40	7.65	7.50	6.30	6.30	4.75	22
24	6.55	6.80	6.75	6.00	6.15	4.60	6.45	6.70	6.60	6.10	6.25	4.60	24
26	5.75	6.00	5.95	5.75	6.05	4.50	5.65	5.90	5.80	5.85	5.95	4.50	26
28	5.10	5.30	5.25	5.55	5.40	4.40	5.00	5.20	5.15	5.45	5.25	4.45	28
30	4.55	4.70	4.70	4.95	4.80	4.35	4.40	4.60	4.55	4.85	4.70	4.35	30
32	4.05	4.20	4.20	4.40	4.30	4.30	3.90	4.05	4.05	4.30	4.20	4.30	32
34	3.60	3.70	3.75	3.95	3.85	4.15	3.50	3.60	3.60	3.85	3.75	4.05	34
36	3.25	3.30	3.35	3.55	3.50	3.75	3.10	3.20	3.25	3.45	3.35	3.65	36
38	2.90	2.95	3.05	3.15	3.15	3.35	2.80	2.85	2.90	3.05	3.00	3.25	38
40	39.0mx	39.6mx	2.75	2.85	2.85	3.00	2.50	2.55	2.60	2.75	2.70	2.90	40
42	2.75t	2.70t	2.45	2.55	2.55	2.70	41.6mx	2.25	2.35	2.45	2.40	2.60	42
44			43.2mx	2.30	2.30	2.45	2.25t	42.2mx	2.10	2.15	2.15	2.35	44
46			2.30t	44.1mx	2.10	2.20		2.25t	45.8mx	1.95	1.95	2.10	46
48				2.25t	47.5mx	1.95			1.90t	46.7mx	1.75	1.85	48
50					1.95t	48.6mx				1.85t	1.55	1.65	50
52						1.90t					50.1mx	51.2mx	52
54											1.55t	1.50t	54

■ The hook weight

Hook Capacity (t)	Hook Weight (t)
80	1.05
50	0.90
30	0.73
11	0.37

■ Crane Jib (3/4)



Boom length (m)	39.5						42.5						Boom length (m)
	9		13.5		18		9		13.5		18		
Jib length (m)	9		13.5		18		9		13.5		18		Jib length (m)
Jib offset angle (°)	10	30	10	30	10	30	10	30	10	30	10	30	Jib offset angle (°)
Working radius (m)	9		13.5		18		9		13.5		18		Working radius (m)
9	11.8mx												9
10	11.00t		13.4mx				12.4mx		13.9mx				10
12	11.00	14.5mx	10.30t		15.0mx		11.00t	15.1mx	9.85t		15.5mx		12
14	11.00	8.95t	10.15	17.4mx	6.70t		10.90	8.95t	9.80		6.70t		14
16	10.85	8.70	9.90	6.90t	6.65		10.55	8.80	9.50		6.65		16
18	9.40	8.40	9.40	6.85	6.50	20.4mx	9.15	8.50	9.15	6.85	6.50	20.9mx	18
20	8.20	8.05	8.20	6.65	6.40	4.85t	8.00	8.20	8.00	6.70	6.45	4.80t	20
22	7.20	7.55	7.25	6.40	6.30	4.75	7.00	7.35	7.05	6.50	6.35	4.75	22
24	6.25	6.55	6.40	6.15	6.20	4.65	6.20	6.50	6.25	6.25	6.25	4.65	24
26	5.50	5.75	5.65	5.95	5.75	4.60	5.40	5.70	5.55	5.95	5.55	4.60	26
28	4.80	5.05	5.00	5.35	5.10	4.55	4.75	5.00	4.90	5.30	4.95	4.50	28
30	4.25	4.45	4.40	4.70	4.55	4.45	4.15	4.40	4.30	4.65	4.45	4.40	30
32	3.75	3.90	3.90	4.20	4.00	4.35	3.65	3.85	3.80	4.10	3.95	4.35	32
34	3.30	3.45	3.45	3.70	3.60	3.95	3.25	3.40	3.40	3.65	3.50	3.85	34
36	2.95	3.05	3.10	3.30	3.20	3.50	2.85	3.00	3.00	3.25	3.10	3.45	36
38	2.60	2.70	2.75	2.95	2.85	3.10	2.50	2.65	2.65	2.85	2.75	3.05	38
40	2.30	2.40	2.45	2.60	2.55	2.80	2.20	2.30	2.35	2.55	2.45	2.70	40
42	2.05	2.10	2.15	2.30	2.25	2.50	1.95	2.05	2.05	2.25	2.15	2.40	42
44	1.80	1.85	1.90	2.05	2.00	2.20	1.70	1.75	1.80	1.95	1.90	2.15	44
46	44.2mx	44.8mx	1.70	1.80	1.80	1.95	1.50	1.55	1.60	1.70	1.70	1.90	46
48	1.80t	1.75t	1.50	1.55	1.60	1.70	46.8mx	47.4mx	1.40	1.50	1.50	1.65	48
50			48.4mx	49.3mx	1.40	1.50	1.40t	1.40t	49.0mx	1.30	1.30	1.45	50
52			1.45t	1.45t	51.3mx	1.30			1.30t			51.5mx	52
54					1.30t							1.30t	54

Unit ; ton

1. The rated loads are determined according to EN13000 rating with the machine on firm level ground.
2. The figures surrounded by bold lines are based on factors other than those which would cause a tipping condition.
3. To calculate the maximum load that can actually be lifted, deduct weight of all lifting accessories, such as boom hook and jib hook, from figures shown above.
4. Working radius is the horizontal distance from the slewing center to the center of gravity of a lifted load.
5. The counter weight is shown in the next table.

Crawler shoe	Upper weight	Lower weight
Link shoe	28.2	-
Flat shoe	28.2	4.0

6. Hook weight are shown in the table next page.



■ Crane Jib (4/4)



Unit ; ton

Boom length (m)	45.5		Boom length (m)
Jib length (m)	9		Jib length (m)
Jib offset angle (°)	10	30	Jib offset angle (°)
Working radius (m)			Working radius (m)
10	12.9mx		10
12	10.00t	15.6mx	12
14	9.80	8.95t	14
16	9.40	8.90	16
18	8.85	8.55	18
20	7.70	8.10	20
22	6.70	7.10	22
24	5.90	6.25	24
26	5.20	5.50	26
28	4.60	4.85	28
30	4.00	4.25	30
32	3.50	3.70	32
34	3.05	3.25	34
36	2.70	2.85	36
38	2.35	2.50	38
40	2.05	2.15	40
42	1.80	1.55	42
44	1.55	1.60	44
46	1.30	1.40	46
48		46.8mx	48
50		1.30t	50

■ The hook weight

Hook Capacity (t)	Hook Weight (t)
80	1.05
50	0.90
30	0.73
11	0.37

## ■ Main Boom with Crane Jib (1/4)



Boom length (m)	27.5						30.5						Unit ; ton
	9		13.5		18		9		13.5		18		Boom length (m)
Jib length (m)	9		13.5		18		9		13.5		18		Jib length (m)
Jib offset angle (°)	10	30	10	30	10	30	10	30	10	30	10	30	Jib offset angle (°)
Working radius (m)													Working radius (m)
6.7	32.75	32.45	32.25	31.75	31.75	31.00	7.2mx	7.2mx	7.2mx	7.2mx	7.2mx	7.2mx	6.7
7	31.15	30.90	30.70	30.25	30.20	29.50	29.15t	28.90t	28.70t	28.25t	28.25t	27.55t	7
8	26.80	26.60	26.35	25.95	25.85	25.30	25.95	25.70	25.50	25.10	25.05	24.45	8
9	23.45	23.20	23.00	22.65	22.50	22.00	22.70	22.50	22.30	21.95	21.85	21.30	9
10	20.70	20.55	20.30	20.00	19.80	19.40	20.10	19.95	19.70	19.40	19.25	18.80	10
12	16.65	16.50	16.25	16.00	15.80	15.45	16.20	16.05	15.80	15.55	15.35	15.00	12
14	13.45	13.35	13.10	12.90	12.70	12.40	13.40	13.25	13.00	12.80	12.55	12.30	14
16	11.05	10.95	10.70	10.55	10.30	10.10	10.95	10.85	10.60	10.45	10.25	10.00	16
18	9.20	9.15	8.90	8.80	8.50	8.35	9.15	9.05	8.80	8.70	8.45	8.25	18
20	7.80	7.80	7.50	7.40	7.15	7.00	7.75	7.65	7.40	7.30	7.05	6.90	20
22	6.70	6.70	6.40	6.35	6.05	5.95	6.60	6.55	6.30	6.20	5.95	5.85	22
24	5.80	5.80	5.50	5.45	5.15	5.10	5.70	5.65	5.40	5.35	5.05	5.00	24
26	25.1mx	25.1mx	25.1mx	25.1mx	25.1mx	25.1mx	4.95	4.90	4.65	4.60	4.30	4.30	26
28	5.40t	5.40t	5.10t	5.05t	4.75t	4.70t	27.7mx	27.7mx	27.7mx	27.7mx	27.7mx	27.7mx	28
30							4.40t	4.40t	4.10t	4.10t	3.80t	3.75t	30

1. The rated loads are determined according to EN13000 rating with the machine on firm level ground.
2. To calculate the maximum load that can actually be lifted, deduct weight of all lifting accessories, such as boom hook and jib hook, from figures shown above.
3. Working radius is the horizontal distance from the slewing center to the center of gravity of a lifted load.
4. The counter weight is shown in the next table.

Crawler shoe	Upper weight	Lower weight
Link shoe	28.2	-
Flat shoe	28.2	4.0

5. The relations between the reeving part number of rope and the maximum rated loads is shown in the table next page.

■ Main Boom with Crane Jib (2/4)



Boom length (m)	33.5						36.5						Unit ; ton
	9		13.5		18		9		13.5		18		Boom length (m)
Jib length (m)													Jib length (m)
Jib offset angle (°)	10	30	10	30	10	30	10	30	10	30	10	30	Jib offset angle (°)
Working radius (m)													Working radius (m)
6	7.8mx	7.8mx	7.8mx	7.8mx	7.8mx	7.8mx							6
7	25.75t	25.50t	25.35t	24.95t	24.90t	24.25t	8.3mx	8.3mx	8.3mx	8.3mx	8.3mx	8.3mx	7
8	25.05	24.80	24.65	24.25	24.20	23.60	23.25t	23.05t	22.85t	22.50t	22.45t	21.85t	8
9	22.00	21.75	21.55	21.20	21.10	20.60	21.30	21.05	20.90	20.55	20.45	19.95	9
10	19.50	19.30	19.10	18.75	18.65	18.20	18.90	18.70	18.50	18.20	18.10	17.60	10
12	15.70	15.55	15.30	15.05	14.90	14.55	15.25	15.10	14.85	14.60	14.45	14.10	12
14	12.95	12.85	12.60	12.40	12.20	11.90	12.60	12.45	12.20	12.00	11.85	11.55	14
16	10.85	10.75	10.50	10.35	10.15	9.90	10.55	10.45	10.20	10.05	9.85	9.60	16
18	9.05	8.95	8.70	8.55	8.35	8.15	8.95	8.85	8.60	8.45	8.25	8.05	18
20	7.60	7.55	7.30	7.20	6.95	6.80	7.50	7.45	7.20	7.10	6.90	6.70	20
22	6.50	6.45	6.20	6.10	5.85	5.75	6.40	6.35	6.10	6.00	5.75	5.65	22
24	5.55	5.55	5.25	5.20	4.95	4.85	5.45	5.40	5.15	5.10	4.85	4.75	24
26	4.80	4.80	4.50	4.50	4.20	4.15	4.70	4.65	4.40	4.35	4.10	4.00	26
28	4.20	4.15	3.90	3.85	3.60	3.55	4.05	4.05	3.80	3.75	3.50	3.40	28
30	3.65	3.65	3.35	3.35	3.05	3.05	3.50	3.50	3.25	3.20	2.95	2.90	30
32	30.3mx	30.3mx	30.3mx	30.3mx	30.3mx	30.3mx	3.05	3.05	2.80	2.75	2.50	2.45	32
34	3.55t	3.55t	3.30t	3.30t	3.00t	2.95t	32.9mx	32.9mx	32.9mx	32.9mx	32.9mx	32.9mx	34
36							2.85t	2.85t	2.60t	2.60t	2.30t	2.30t	36

■ The relations between the reeving part number of rope and the maximum rated loads

Hook Capacity (t)	Hook Weight (t)	Maximum rated loads (t)			
		4 falls	3 falls	2 falls	1 fall
80	1.05	44	—	—	—
50	0.90	44	—	—	—
30	0.73	—	30	22	—
11	0.37	—	—	—	11

### ■ Main Boom with Crane Jib (3/4)



Boom length (m)	39.5						42.5						Unit ; ton
	9		13.5		18		9		13.5		18		Boom length (m)
Jib length (m)	9		13.5		18		9		13.5		18		Jib length (m)
Jib offset angle (°)	10	30	10	30	10	30	10	30	10	30	10	30	Jib offset angle (°)
Working radius (m)	9		13.5		18		9		13.5		18		Working radius (m)
7	8.8mx	8.8mx	8.8mx	8.8mx	8.8mx	8.8mx							7
8	20.65t	20.60t	20.20t	20.05t	19.70t	19.50t	9.4mx	9.4mx	9.4mx	9.4mx	9.4mx	9.4mx	8
9	20.50	20.35	20.10	19.80	19.60	19.25	17.70t	17.60t	17.25t	17.10t	16.80t	16.55t	9
10	18.25	18.05	17.90	17.55	17.50	17.00	17.35	17.25	16.95	16.80	16.45	16.25	10
12	14.75	14.60	14.35	14.10	14.00	13.60	14.40	14.25	14.05	13.80	13.65	13.25	12
14	12.15	12.05	11.80	11.60	11.40	11.10	11.90	11.75	11.55	11.35	11.15	10.85	14
16	10.20	10.10	9.85	9.70	9.50	9.25	9.95	9.85	9.65	9.45	9.25	9.00	16
18	8.65	8.55	8.30	8.15	7.95	7.75	8.45	8.35	8.15	8.00	7.75	7.55	18
20	7.35	7.30	7.05	6.95	6.70	6.55	7.25	7.15	6.90	6.80	6.55	6.40	20
22	6.25	6.15	5.95	5.85	5.65	5.50	6.20	6.10	5.90	5.80	5.55	5.40	22
24	5.30	5.25	5.00	4.95	4.70	4.60	5.25	5.20	5.00	4.90	4.70	4.55	24
26	4.55	4.50	4.25	4.20	3.95	3.85	4.50	4.45	4.20	4.15	3.90	3.80	26
28	3.90	3.85	3.65	3.55	3.35	3.25	3.85	3.80	3.55	3.50	3.30	3.20	28
30	3.35	3.35	3.10	3.05	2.80	2.75	3.30	3.25	3.00	3.00	2.75	2.65	30
32	2.90	2.85	2.60	2.60	2.35	2.30	2.80	2.80	2.55	2.50	2.25	2.20	32
34	2.50	2.50	2.20	2.20	1.95	1.90	2.40	2.40	2.15	2.10	1.85	1.80	34
36	35.5mx	35.5mx	35.5mx	35.5mx	35.5mx	35.5mx	2.05	2.05	1.80	1.75	1.50	1.50	36
38	2.20t	2.20t	1.95t	1.95t	1.65t	1.65t	1.75	1.70	1.45	1.45	37.3mx	37.3mx	38
40							38.1mx	38.1mx	38.1mx	38.1mx	1.30t	1.30t	40
42							1.70t	1.70t	1.45t	1.45t			42

1. The rated loads are determined according to EN13000 rating with the machine on firm level ground.
2. To calculate the maximum load that can actually be lifted, deduct weight of all lifting accessories, such as boom hook and jib hook, from figures shown above.
3. Working radius is the horizontal distance from the slewing center to the center of gravity of a lifted load.
4. The counter weight is shown in the next table.

Crawler shoe	Upper weight	Lower weight
Link shoe	28.2	-
Flat shoe	28.2	4.0

5. The relations between the reeving part number of rope and the maximum rated loads is shown in the table next page.

■ Main Boom with Crane Jib (4/4)



Unit ; ton

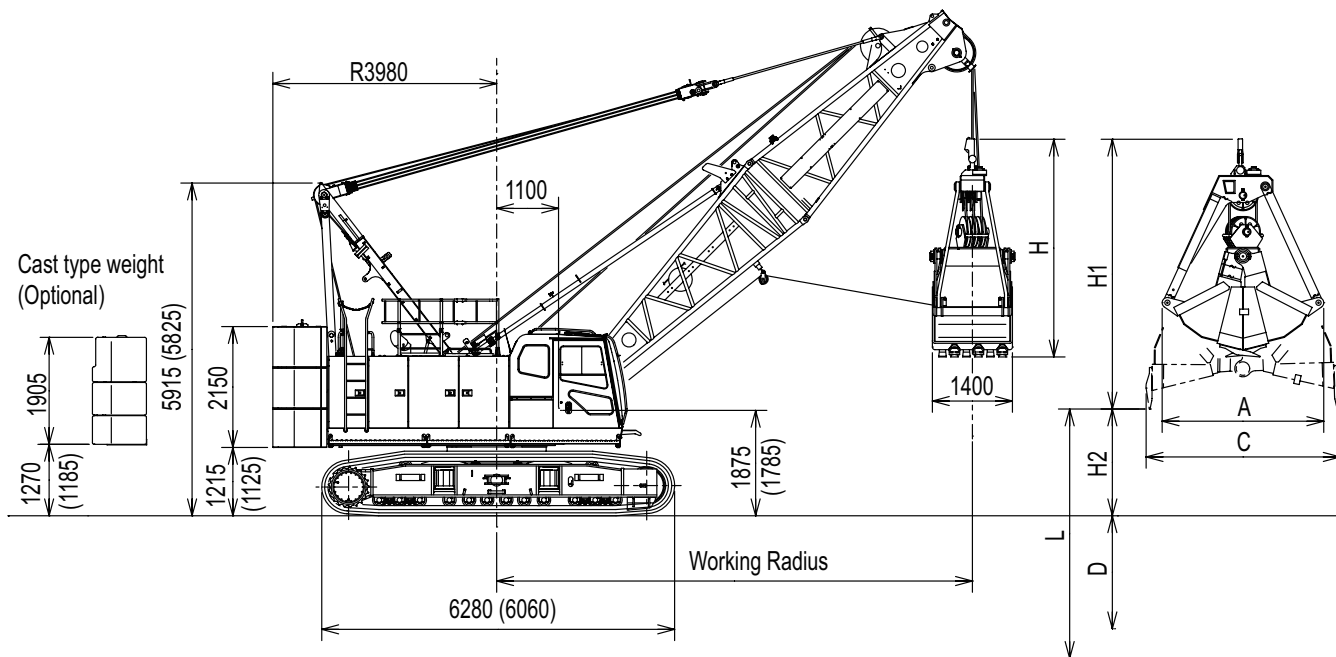
Boom length (m)	45.5		Boom length (m)
Jib length (m)	9		Jib length (m)
Jib offset angle (°)	10	30	Jib offset angle (°)
Working radius (m)			Working radius (m)
8	9.9mx	9.9mx	8
9	15.70t	15.60t	9
10	15.65	15.6	10
12	13.90	13.75	12
14	11.50	11.35	14
16	9.60	9.50	16
18	8.15	8.05	18
20	6.95	6.85	20
22	5.95	5.90	22
24	5.10	5.05	24
26	4.35	4.30	26
28	3.70	3.65	28
30	3.15	3.10	30
32	2.65	2.65	32
34	2.25	2.20	34
36	1.90	1.85	36
38	1.55	1.55	38
40	1.30	39.7mx	40
42		1.30t	42

■ The relations between the reeving part number of rope and the maximum rated loads

Hook Capacity (t)	Hook Weight (t)	Maximum rated loads (t)			
		4 falls	3 falls	2 falls	1 fall
80	1.05	44	—	—	—
50	0.90	44	—	—	—
30	0.73	—	30	22	—
11	0.37	—	—	—	11

# Clamshell Specifications

## Dimensions and Specifications



NOTE : ( ) In case of the flat shoes.

### Working Ranges

Boom Length	m	9.5				12.5				15.5			
Boom Angle	°	39	45	55	65	35	45	55	65	35	45	55	65
Working Radius	m	9.1	8.5	7.2	5.9	11.8	10.5	9.0	7.1	14.3	12.7	10.7	8.3
Gross Rated Load	t	10	10	10	10	10	10	10	10	10	10	10	10
Lift L (D + H2)	m	36.0	36.8	37.9	38.8	37.2	38.9	40.4	41.6	38.9	41.1	42.9	44.3
Max. Digging Depth D	m	36											
Bucket Dumping Height H2	m	0.0	0.8	1.9	2.8	1.2	2.9	4.4	5.6	2.9	5.1	6.9	8.3

Boom Length	m	18.5				21.5			
Boom Angle	°	35	45	55	65	35	45	55	65
Working Radius	m	16.7	14.8	12.4	9.6	19.2	16.9	14.1	11.0
Gross Rated Load	t	10	10	10	10	8.65	10	10	10
Lift L (D + H2)	m	40.6	43.2	45.3	47.0	42.4	45.3	47.8	49.7
Max. Digging Depth D	m	36							
Bucket Dumping Height H2	m	4.6	7.2	9.3	11.0	6.4	9.3	11.8	13.7

■ Specifications

Clamshell Specifications			
Bucket Capacity	m <sup>3</sup>	2.5	
Allowed Maximum Gross Weight for Clamshell Bucket and Captured Load Combined	t	10	
Boom Length	m	9.5 to 21.5	
Maximum Digging Depth	m	36	
Support Wire Rope Speed *	m/min	105	Wire Rope Diameter 26 mm
Opening/Closing Wire Rope Speed *	m/min	105	
Boom Hoist Drum Wire Rope Speed (Raise) *	m/min	67	Wire Rope Diameter 16.0 mm
Boom Hoist Drum Wire Rope Speed (Lower) *	m/min	67	
Ground Contact Pressure	kPa (kgf/cm <sup>2</sup> )	92.3 (0.94) (w/ Basic Boom, 2.5 m <sup>3</sup> Clamshell Bucket, Link shoes)	
		96.4 (0.98) (w/ Basic Boom, 2.5 m <sup>3</sup> Clamshell Bucket, Flat shoes)	
Overall Operating Weight	t	Approximately 81 (w/ Basic Boom, 2.5 m <sup>3</sup> Clamshell Bucket)	

NOTE :

- Speeds marked with "\*" may vary depending on load applied.
- SI units are used for specifications. In parenthesis, conventional units are also indicated.
- Specifications other than those shown above are the same as those shown in the crane specifications section.

■ Clamshell Bucket

Capacity ( m <sup>3</sup> )	Weight ( t )	C (mm)	H (mm)	H1 (mm)
2.5	5.5	3,630	4,180	5,130

■ Gross Rated Load Table

unit ; ton

Working Radius (m)	Boom Length ( m )				
	9.5	12.5	15.5	18.5	21.5
5.9	10.00				
6	10.00	7.1mx			
7	10.00	10.00t	8.3mx		
8	10.00	10.00	10.00t	9.6mx	
9	10.00	10.00	10.00	10.00t	11.0mx
10	9.1mx	10.00	10.00	10.00	10.00t
12	10.00t	10.00	10.00	10.00	10.00
14		11.8mx	10.00	10.00	10.00
16		10.00t	14.3mx	10.00	10.00
18			10.00t	16.7mx	9.45
20				10.00t	19.2mx
22					8.65t

1. Max. clamshell rating is 10.0 t.
2. Mass of bucket plus load should not exceed clamshell ratings shown above. Following data are for a general digging application buckets.

Bucket capacity	2.0m <sup>3</sup>	2.5m <sup>3</sup>
Bucket mass	4.5t	5.5t

3. In case of clamshell application, a 9.5 m boom is recommended as minimum length of boom, and max. boom length shall not exceed 21.5 m.
4. Apparent specific gravity of lifting material :  
Earth ..... 1.7 to 1.8 t/m<sup>3</sup>  
Gravel ..... 1.8 to 2.0 t/m<sup>3</sup>
5. The counter weight is shown in the next table.

Crawler shoe	Upper weight	Lower weight
Link shoe	28.2	-
Flat shoe	28.2	4.0

6. Max. digging depth below ground shall be 36 m.

# Weights and Dimensions of Disassembled Units

## Weights and Dimensions List

Comply with the regulations when transporting.  
"Weight" refers to the mass of each single unit.

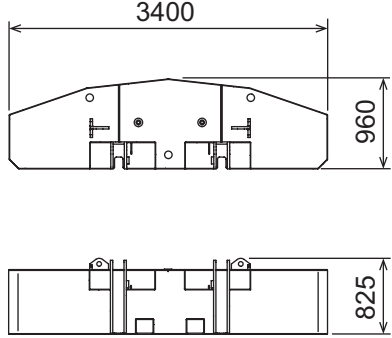
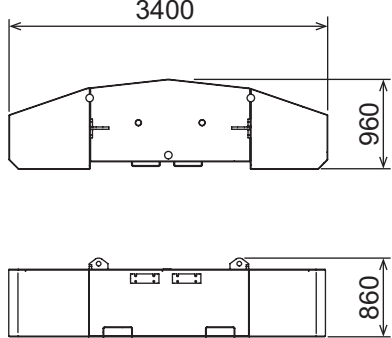
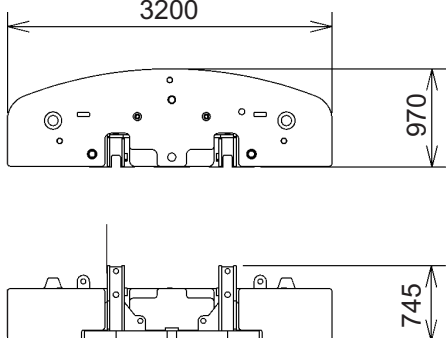
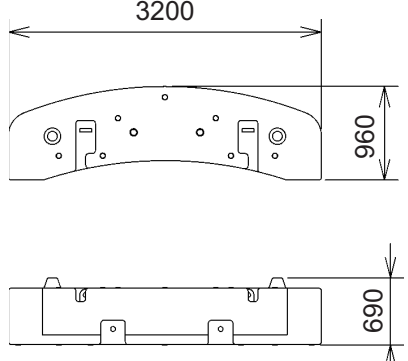
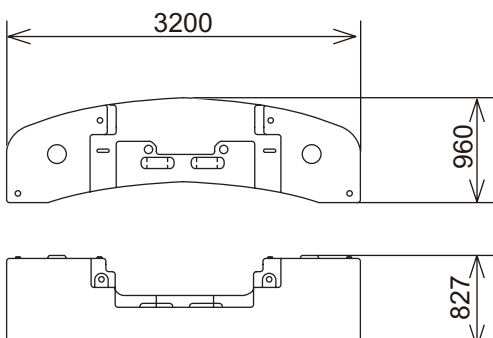
### Weights and Dimensions of Disassembled Units

Description	Qty	Dimensions (mm)	Weight (kg)
Machinery With boom base With front winch wire rope With boom hoist drum wire rope With crawler With upper spreader (With lower weight)  NOTE : ( ) In case of the flat shoes.	1	 NOTE : ( ) In case of the flat shoes.	45700 (45900)
Machinery With front winch wire rope With boom hoist drum wire rope With crawler With upper spreader (With lower weight)  NOTE : ( ) In case of the flat shoes.	1	 NOTE : ( ) In case of the flat shoes.	44500 (44700)
Machinery With boom base With front winch wire rope With boom hoist drum wire rope With upper spreader	1	 NOTE : ( ) In case of the flat shoes.	26900 (26700)
Machinery With front winch wire rope With boom hoist drum wire rope With upper spreader	1	 NOTE : ( ) In case of the flat shoes.	25700 (25500)
Crawler side frame (ASSY)	2	 NOTE : ( ) In case of the flat shoes.	9400 (7600)

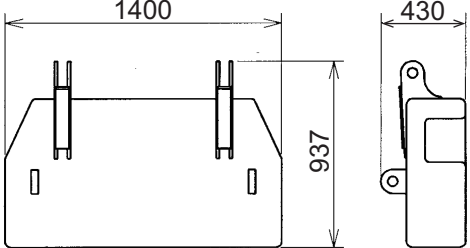
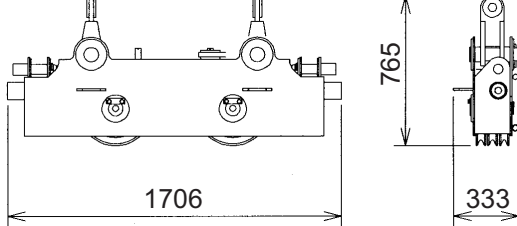
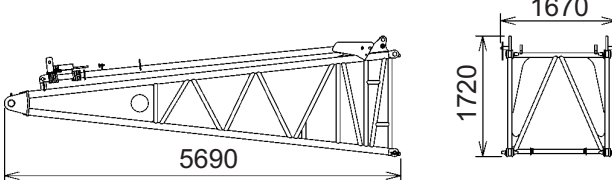
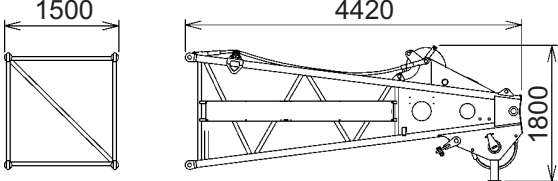
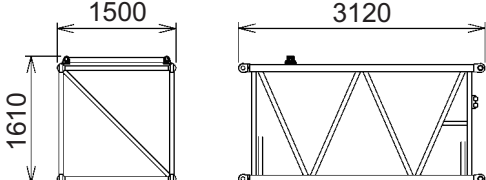
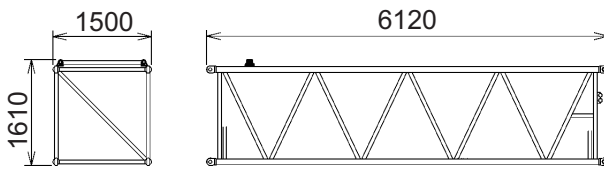
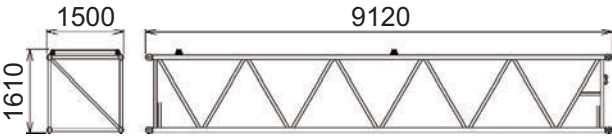
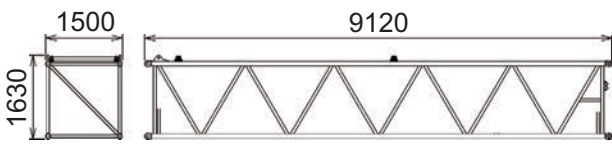
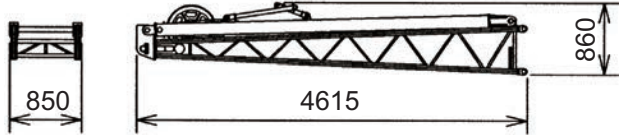
- With upper house handrails, the weight of the main unit increases by 100 kg.
- With catwalks, the weight of the main unit increases by 215 kg and the width of the main unit increases by 210 mm.



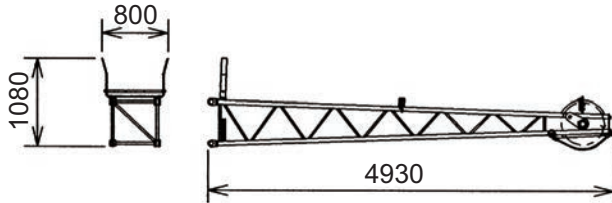
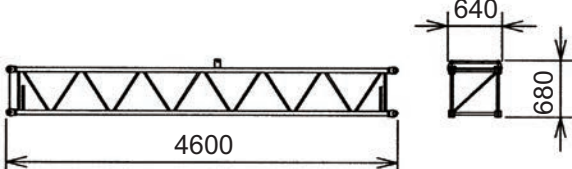
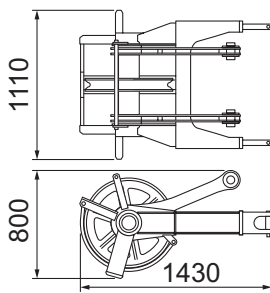
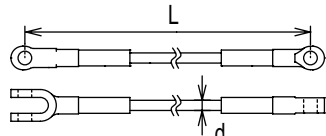
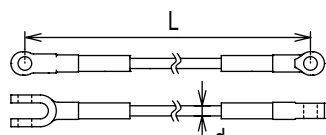
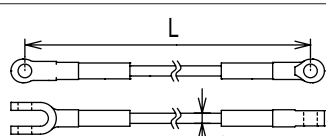
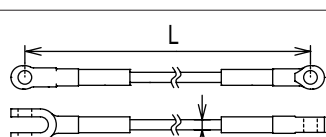
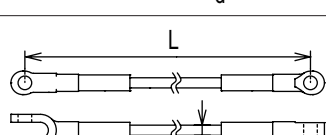
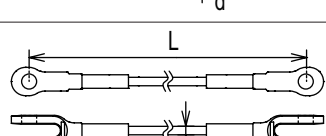
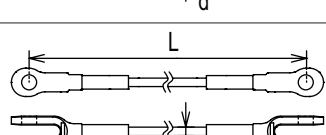
Weights and Dimensions of Disassembled Units

Description	Qty	Dimensions (mm)	Weight (kg)
Counter weight (A):Standard	1		9200
Counter weight (B):Standard	2		9500
Counter weight (A):Optional	1		9200
Counter weight (B):Optional	1		9100
Counter weight (C):Optional	1		9900

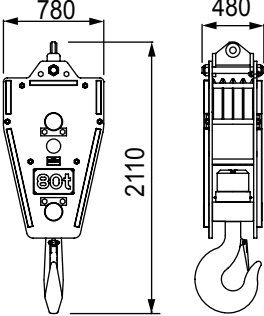
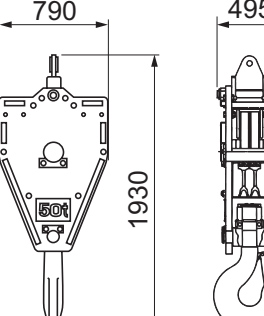
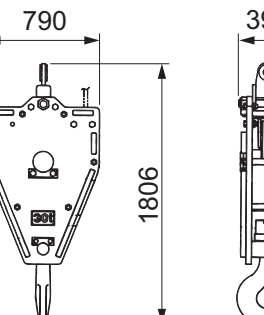
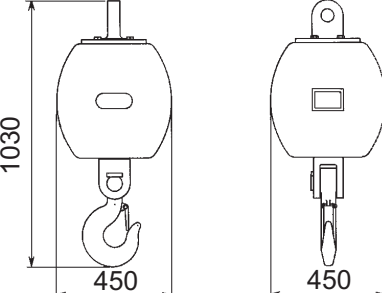
## Weights and Dimensions of Disassembled Units

Description	Qty	Dimensions (mm)	Weight (kg)
Lower weight : In case of the flat shoes	2		2020
Upper spreader	1		285
Boom base (5.5) With connector pin With exclusive crane backstop	1		1230
Boom top (4) With pendant rope	1		1340
3 m boom insert (3) With connector pin Without pendant rope	1		325
6 m boom insert (6) With connector pin Without pendant rope	1		545
9 m boom insert (9) With connector pin Without pendant rope	1		750
9 m special boom insert (9B) (crane jib combined use boom) With connector pin Without pendant rope	1		755
Crane jib bottom (4.5) With connector pin With jib strut	1		490

## Weights and Dimensions of Disassembled Units

Description	Qty	Dimensions (mm)	Weight (kg)
Crane jib top (4.5) without pendant rope	1		290
4.5 m jib insert (4.5) With connector pin without pendant rope	1		140
Aux. sheave With connector pin	1		370
Pendant Rope (3) connect pin	1		L=3000 d=32 25
Pendant Rope (6) connect pin	1		L=6000 d=32 40
Pendant Rope (9) connect pin	1		L=9000 d=32 55
Jib Pendant Rope (2.9) connect pin	1		L=2850 d=20 15
Jib Pendant Rope (8.5) connect pin	1		L=8450 d=20 25
Jib Pendant Rope (18) connect pin	1		L=18350 d=20 45
Jib Pendant Rope (30) connect pin	1		L=29500 d=20 65

Weights and Dimensions of Disassembled Units

Description	Qty	Dimensions (mm)	Weight (kg)
80 t hook	1		1050
50 t hook	1		900
30t hook	1		730
11t hook	1		370

# Equipment List

## Standard and Optional Equipment

○ : Standard ● : Optional – : No setting

Item		Crane	Clamshell
* are described in the last page of this list.			
Lower Structure	810 mm Crawler Shoe (Link shoes)	○	○
	800 mm Crawler Shoe (Flat shoes)	●	●
	Jack Up Unit	●	●
	Crawler Extension / Retraction System	○	○
	Steps	○	○
	Shoe Tension Unit	○ <sup>*1</sup>	○ <sup>*1</sup>
Upper Structure	Free-fall Assist System	●	●
	Cab Up / Down Catwalk	○	○
	Under Cover (Bed Lower Surface)	○	○
	Working Light (× 2)	○	○
	Back Mirror (Left / Right)	○	○
	Gantry Cylinders	○	○
	Central Lubrication Unit (for Turntable Bearing)	○	○
	Drum Flange Cover	○	○
	Auto Idle Stop	○	○
	Eco Winch	○	○
	Drum Mirror	●	●
	Drum Light	●	●
	Winch Rope Retainer (Front Winch)	●	●
	Winch Rope Retainer (Rear Winch)	●	●
	Catwalk (Folding Type, Left / Right)	○	○
	Catwalk with Handrails (Folding Type, Left / Right)	● / ○ <sup>*2</sup>	● / ○ <sup>*2</sup>
	3400mm Width Counter Weight (Non-Cast Type)	○	○
	3200mm Width Counter Weight (Cast Type)	●	●
	Electric Fuel Pump	●	●
Handrails (Folding Type)	○	○	
Winch with Front and Rear Free Mechanism	●	●	
Third Winch (Rope not Included)	●	-	
Cab	Air Conditioner	○	○
	Sunvisor	○	○
	Sunshade	○	○
	Wiper with Washer (Front Window, Cab Roof Window)	○	○
	Microphone & Loud-speaker	●	●
	AM / FM Radio (with Clock)	○	○
	Room Lamp	○	○
	Cup Holder	○	○
	24 V Power Socket (× 2)	○	○
	Floor Carpet	○	○
	Level Gauge (in Cab)	○	○
	Accelerator Pedal (Right Side)	●	●
	Arm Chair Lever	○	○
	Cross Operation Lever (Lever Lock not Attached)	● / ○ <sup>*2</sup>	● / ○ <sup>*2</sup>
	Front Operation Lever (with Lever Lock)	●	●
	Standard Seat	○	○
	Seat with Suspension	● / ○ <sup>*2</sup>	● / ○ <sup>*2</sup>
Travel Operation Pedal (Cannot be installed when winch with free mechanism attached)	●	●	

○ : Standard ● : Optional – : No setting

Item		Crane	Clamshell	
* are described in the last page of this list.				
Cab	Boom Hoist Operation Pedal <sup>*3</sup>	●	●	
	Swing Brake Operation Pedal <sup>*3</sup>	●	●	
	Fan	●	●	
	Front / Rear Operation Lever, Brake Pedal Permutation	●	●	
	Fuel Burning Heater	●	●	
	Accelerator Grip	○	○	
	Drum Rotation Sensor (Front / Rear / Boom Hoist) <sup>*4</sup>	○	○	
	Speed Control Dial (Front / Rear/Boom Hoist / Swing)	○	○	
	Life Hammer	○	○	
Attachment	9.5 m Basic Boom (Boom Base: 5.5 m, Boom Top: 4 m)	○	○	
	3 m Boom Insert	●	●	
	6 m Boom Insert	●	●	
	9 m Boom Insert	●	●	
	9 m Special Boom Insert (9B)	●	-	
	Parts Set for 9 m Crane Jib [9 m Basic Jib, Anti-two Block, Jib Mast]	●	-	
	4.5 m Crane Jib Insert	●	-	
	Parts Set for Auxiliary Sheave [Auxiliary Sheave, Auxiliary Sheave Anti-two Block]	●	-	
	80 t Hook (4 Sheaves)	●	-	
	50 t Hook (2 Sheaves)	●	-	
	30 t Hook (1 Sheave)	●	-	
	11 t Hook	●	-	
Wire Rope	Front Winch ( φ 26)	Mono Rope EP 3 × F (40)	○	-
		IWRC 6 × WS (31)	●	-
		IWRC 6 × Fi (25)	-	○ <sup>*5</sup>
	Rear Winch ( φ 26)	Mono Rope EP 3 × F (40)	●	-
		IWRC 6 × WS (31)	●	-
		IWRC 6 × Fi (25)	-	○ <sup>*6</sup>
Third Winch ( φ 22.4)	XP IWRC 6 × WS (31)	●	-	
Boom Hoist Winch ( φ 16)	IWRC 6 × P · WS (31)	○	○	
Safety Device	Moment Limiter	○	○	
	3 Color Percentage Indicator Light	● / ○ <sup>*7</sup>	● / ○ <sup>*7</sup>	
	Gate Lock Lever	○	○	
	Individual Operation Lever Lock (Front, Rear, Boom Hoist, Travel) <sup>*8</sup>	○	○	
	Automatic Drum Lock (Boom Hoist)	○	○	
	Winch Drum Lock (Front/Rear)	○	○	
	Lowering Limiter (Winch Drum Dead Turns Detective Device)	● / ○ <sup>*7</sup>	● / ○ <sup>*7</sup>	
	Swing Lock	○	○	
	Swing Alarm	○	○	
	Travel Alarm	○	○	
	Auto Slowdown (Slow Stop)	○	○	
	Boom Hoist Limiting Device	○	○	
	Secondary Boom Over Hoist Prevent Device	○	○	
	Warning Alarm	○	○	
	Monitor Panel (Machine Monitoring)	○	○	
	Engine Start Interlock System	○	○	
	Emergency Engine Stop Switch (In cab)	○	○	
	Lifting Height Indication Device	○	○	
	Anti-two Block Device	○	-	
	Moment Limiter (M/L) Mode Selector (In Right House)	● / ○ <sup>*7</sup>	○	
Swing Neutral Free / Brake Selection Switch	○	○		
Swing Restriction Unit	●	●		
Anemometer	●	-		

○ : Standard ● : Optional – : No setting

Item		Crane	Clamshell
* are described in the last page of this list.			
Safety Device	Obstacle Lights (Fixed lights)	●	-
	Drum and Rear View Monitor System	●	●
	Cab Roof Window Guard	●/○ <sup>*7</sup>	●/○ <sup>*7</sup>
Common Parts	Boom Back Stop	○	○
	Boom Angle Sensor	○	○
	Boom Lifting Piece	○	○
	Counter Weight with Self Assembly Unit <sup>*9</sup>	●	●
	Remote Sensing (Mobile Communication Terminal, Data Logging Device)	○	○
	Skywalk (with Stanchion)	●	-
	Skywalk (without Stanchion)	●	-
	Boom Top Under Surface Buffer (Protector)	●	●
	Load Table Sign (Whiteboard, Boom Base Installation)	●	●
	Insertable Company Name Plate (Both Side Surfaces of the Machine)	● <sup>*10</sup>	●
	Opening / Closing / Support Rope Stopper	-	○
	Hyd. Tagline (6 × Fi (29) φ 10 mm × 45 m)	● <sup>*11</sup>	○
	Reeving Winch (4 × F (30) φ 8 mm × 250 m)	● <sup>*11</sup>	-
	Reeving Winch cum Hydraulic Tagline (6 × Fi (29) φ 10 mm × 45 m)	● <sup>*11</sup>	-
	Hydraulic Tagline for Reeving (6 × Fi (29) φ 10 mm × 160 m)		
	Reduction Counter Weight Specification	● <sup>*12</sup>	-
	Sling Ropes for Disassembly and Assembly (for Counter Weights, Crawlers)	●	●
	Air Cleaner Double Element	○	○
	Additional Fuel Filter (Triple Filter)	●	●
	Additional Spare Parts (Hydraulic Oil Filter)	●	●
Additional Tools (Large Hammer, Crowbar, Chisel)	●	●	
Other	Standard Supplied Tools	○	○
	Standard Spare Parts	○	○

\*1 Optional for the flat shoes.

\*2 Europe specification machines only.

\*3 Cannot be installed at the same time.

\*4 Cannot be equipped when the cross operation lever or front operation lever is installed.

\*5 Used for opening/closing rope. Length is 69 m.

\*6 Used for supporting rope. Length is 62 m.

\*7 Europe specification machines only.

\*8 An operation lever lock is not attached to the front, rear or hoist when the cross operation lever is installed.

\*9 3200mm width cast type counter weight only.

\*10 When it chooses, the width at the time of transportation is set to not less than 3.2 m.

\*11 (1) Hydraulic tagline (maximum line pull: 2.9 kN (300 kg))

(2) Reeving winch unit (maximum line pull: 11.8 kN (1,200 kg))

(3) Reeving winch and hydraulic tagline (maximum line pull: 2.9 kN(300kg))

\*12 The reduction counter weight specification can only be used for the crane specification, with the exception of the crane jib.





Handwriting practice area consisting of 25 horizontal dashed lines.

SCX800A-3

# MEMO



Lined area for writing with horizontal dashed lines and a solid bottom line.



- We are constantly improving our products and therefore reserve the right to change designs and specifications without notice.
- Units in this specification are shown under International System of Units; the figures in parenthesis are under Gravitational System of Units as old one.

---

## Sumitomo Heavy Industries Construction Cranes Co., Ltd.

9-3, Higashi-Ueno 6-chome, Taito-ku, Tokyo 110-0015, Japan  
Phone: 81-3-3845-1387 Facsimile: 81-3-3845-1394

<http://www.hsc-cranes.com>